

4

3

2

1

THIS DRAWING IS UNPUBLISHED.

RELEASED FOR PUBLICATION

2003

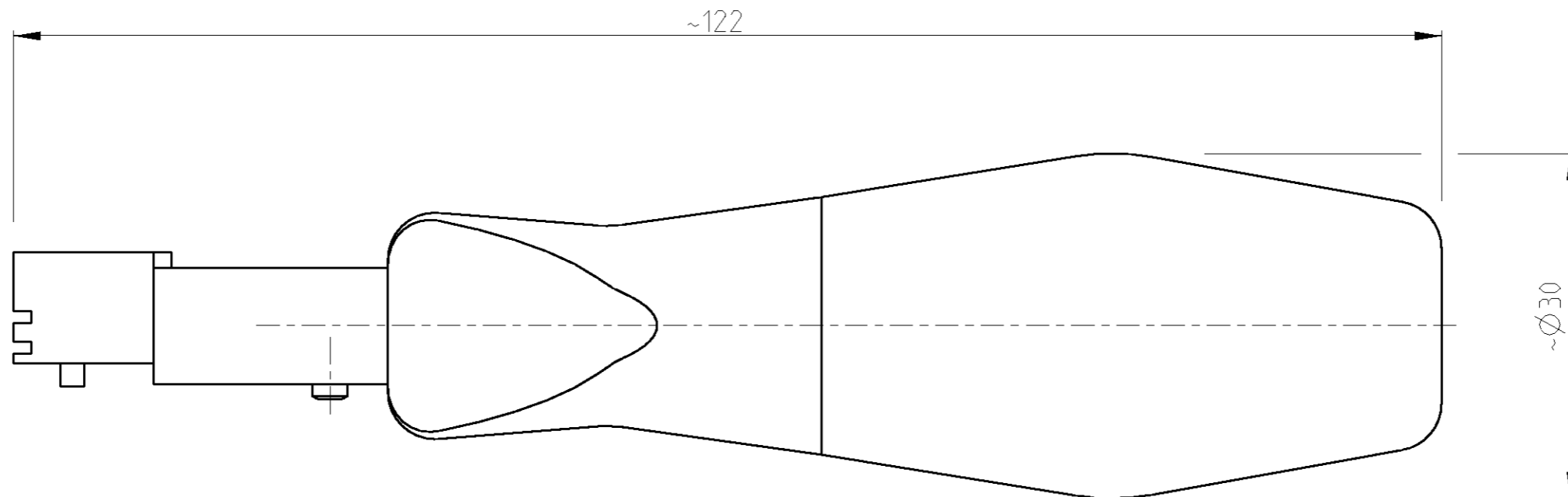
© COPYRIGHT 2003

BY TYCO ELECTRONICS CORPORATION. ALL RIGHTS RESERVED.

LOC	DIST
A1	-

REVISIONS

P	LTR	DESCRIPTION	DATE	DWN	APVD
	A	-	18FEB2004	-	-



THIS DRAWING IS A CONTROLLED DOCUMENT FOR TYCO ELECTRONICS CORPORATION
IT IS SUBJECT TO CHANGE AND THE CONTROLLING ENGINEERING ORGANIZATION
SHOULD BE CONTACTED FOR THE LATEST REVISION.

DIMENSIONS:	TOLERANCES UNLESS OTHERWISE SPECIFIED:
mm	
	0 PLC ±
	1 PLC ±
	2 PLC ±
	3 PLC ±
	4 PLC ±
	ANGLES ±1°

MATERIAL	FINISH
-	-

DWN	J. Z.	18FEB2004
CHK	-	-
APVD	-	-
PRODUCT SPEC	-	-
APPLICATION SPEC	-	-
WEIGHT	-	-

tyco		tyco Electronics AMP GmbH	
Electronics		D - 64625 Bensheim	
NAME			
MONTAGEWERKZEUG			
SIZE	CAGE CODE	DRAWING NO	RESTRICTED TO
A3	00779	C=658167-1	-

CUSTOMER DRAWING	SCALE	SHEET	OF	REV
	2:1	1	1	A