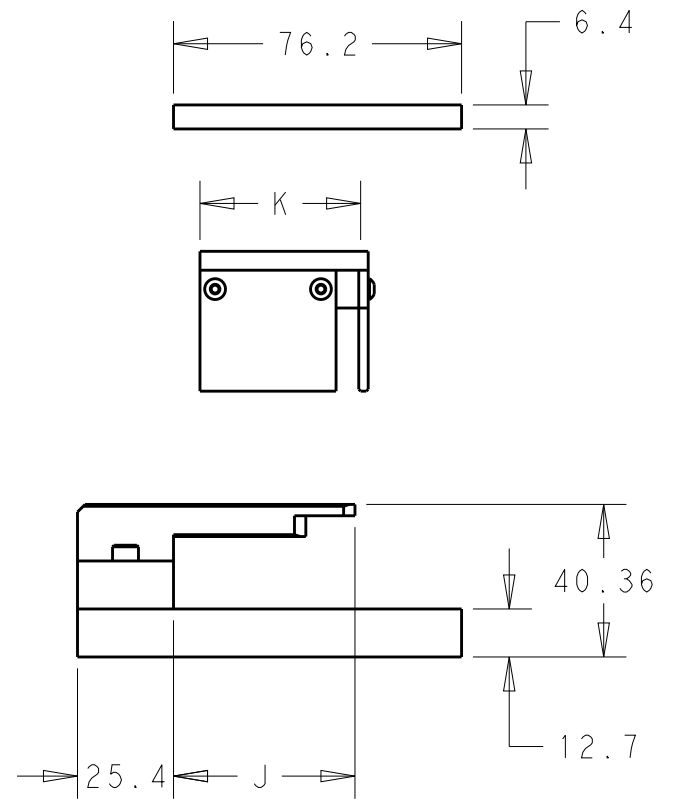
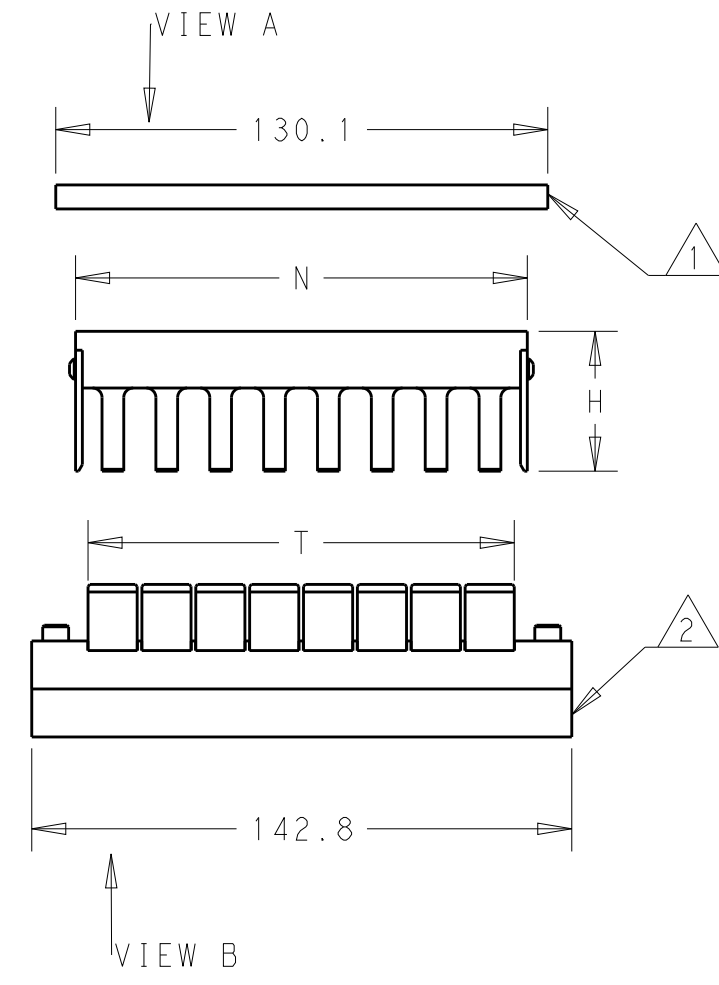
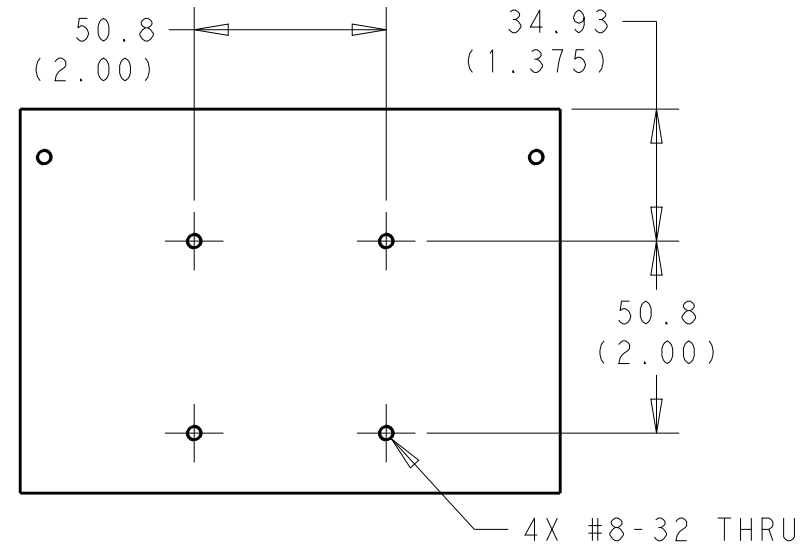
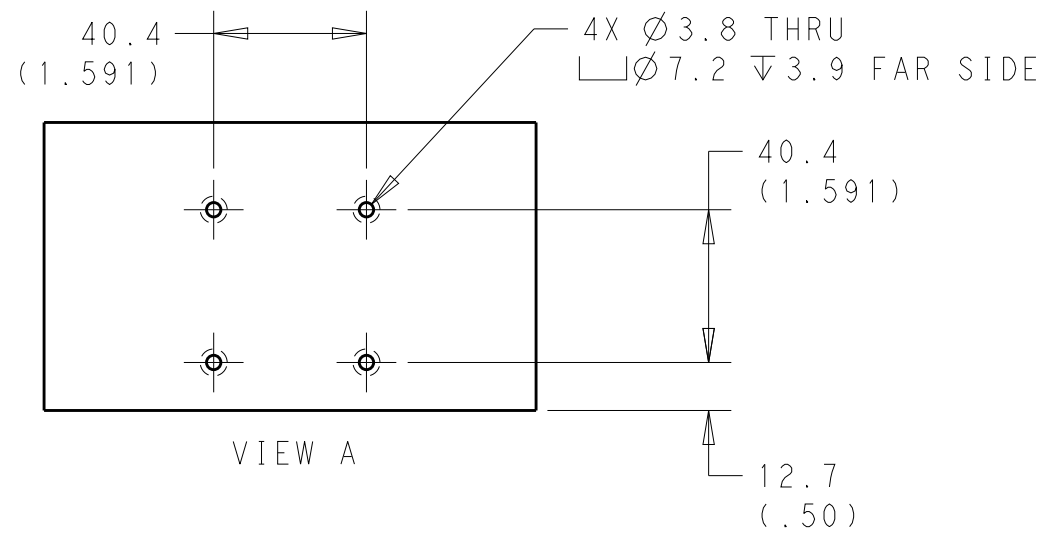


© 2020 TE Connectivity. All Rights Reserved.

PART NUMBER	REV	FIRST USED	N	T	H	J	K	SIZE
2215067-1	D	2170509-1	91	84.25	37	48	42.5	1X6
2215067-2	D	1367629-2	19.75	13	37	48	42.5	1X1
2215067-3	D	-	34	27.25	37	48	42.5	1X2
2215067-4	D	-	48.25	41.5	37	48	42.5	1X3
2215067-5	D	-	62.5	55.75	37	48	42.5	1X4
2215067-6	D	-	76.75	70	37	48	42.5	1X5
2215067-7	D	-	105.25	98.5	37	48	42.5	1X7
2215067-8	D	-	119.5	112.75	37	48	42.5	1X8
2215067-9	D	2198243-6	62.5	55.75	37	48	42.5	1X4
1-2215067-0	D	2291634-3	19.75	13	42	48	42.5	1X1
1-2215067-1	D	2297551-1	19.75	13	37	56	52.5	1X1
1-2215067-2	D	2297535-1	34	27.25	37	56	52.5	1X2
1-2215067-3	D	2297549-1	48.25	41.5	37	56	52.5	1X3
1-2215067-4	D	2297550-1	62.5	55.75	37	56	52.5	1X4
1-2215067-5	D	2304921-1, 2349975-2	121	112.75	37	48	42.5	1X8
1-2215067-6	D	2349975-1	121	112.75	37	48	47.5	1X8
1-2215067-7	D	2309976-1	63.5	55.75	37	48	42.5	1X4
1-2215067-8	D	2364488-3, -4, 2375273-2	121	112.75	37	48	58	1X8
1-2215067-9	D	2359629-1, -2	121	112.75	37	48	63	1X8
2-2215067-0	D	2375273-1	121	112.75	40	48	58	1X8

REVISIONS					
P	LTR	DESCRIPTION	DATE	DWN	APVD
C		ECR-20-006740 ADD -17	23APR2020	DC	JM
D		ECR-20-008465 ADD -18 AND -19	28MAY2020	DC	JM
D1		ECR-20-009780 ADD -20	06JUL2020	DC	JM
D2		ECR-20-011447 UPDATED FAMILY TABLE	23JUL2020	DC	JM

NOTE:  
 1 TOP PUSH PLATE, SEE VIEW A FOR THE MOUNTING HOLE SPEC.  
 2 BASE PLATE, SEE VIEW B FOR THE MOUNTING HOLE SPEC.  
 3. TOP PUSH PLATE AND BASE PLATE ARE DESIGNED TO USE ON ARBOR FRAME ASSEMBLY 58024-1.



THIS DRAWING IS A CONTROLLED DOCUMENT.		DWN C. ZHU	26FEB2015	TE Connectivity	
DIMENSIONS:		CHK E. PRICE	5MAR2015		
TOLERANCES UNLESS OTHERWISE SPECIFIED:		APVD V. I.	26FEB2015		
mm		PRODUCT SPEC	SEE TABLE		
		APPLICATION SPEC		NAME ASSY EXTRACTION TOOL	
MATERIAL		WEIGHT		SIZE	RESTRICTED TO
-		-		A200779	C-2215067
-		-		SCALE 1:2	SHEET 1 OF 1
CUSTOMER DRAWING				REV D2	