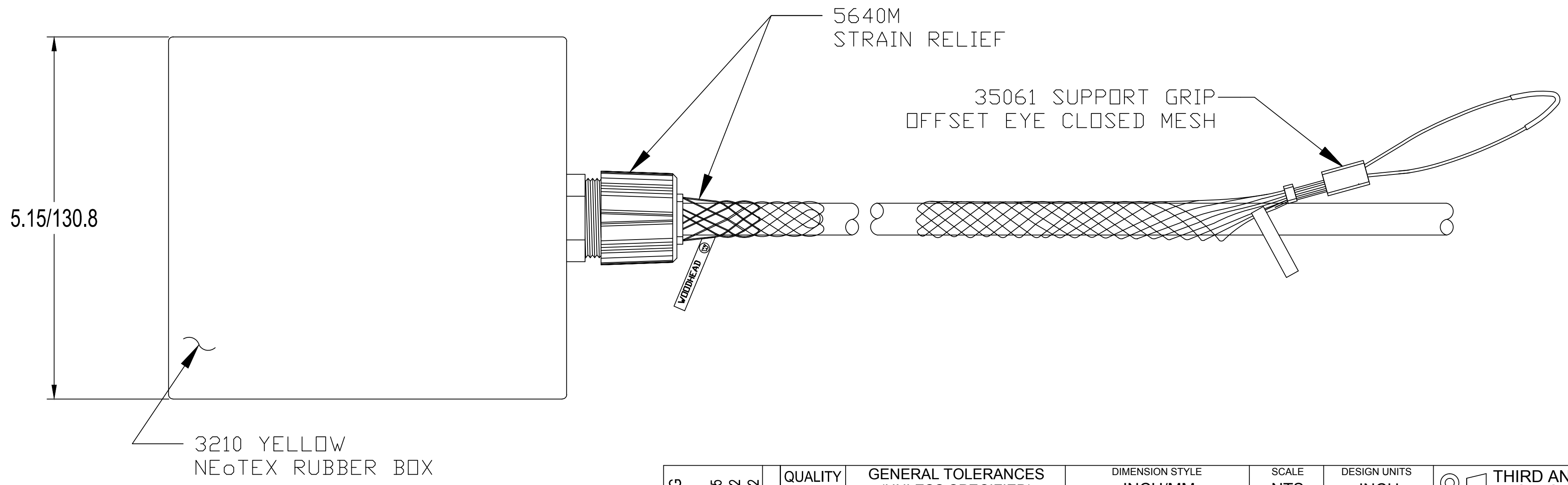
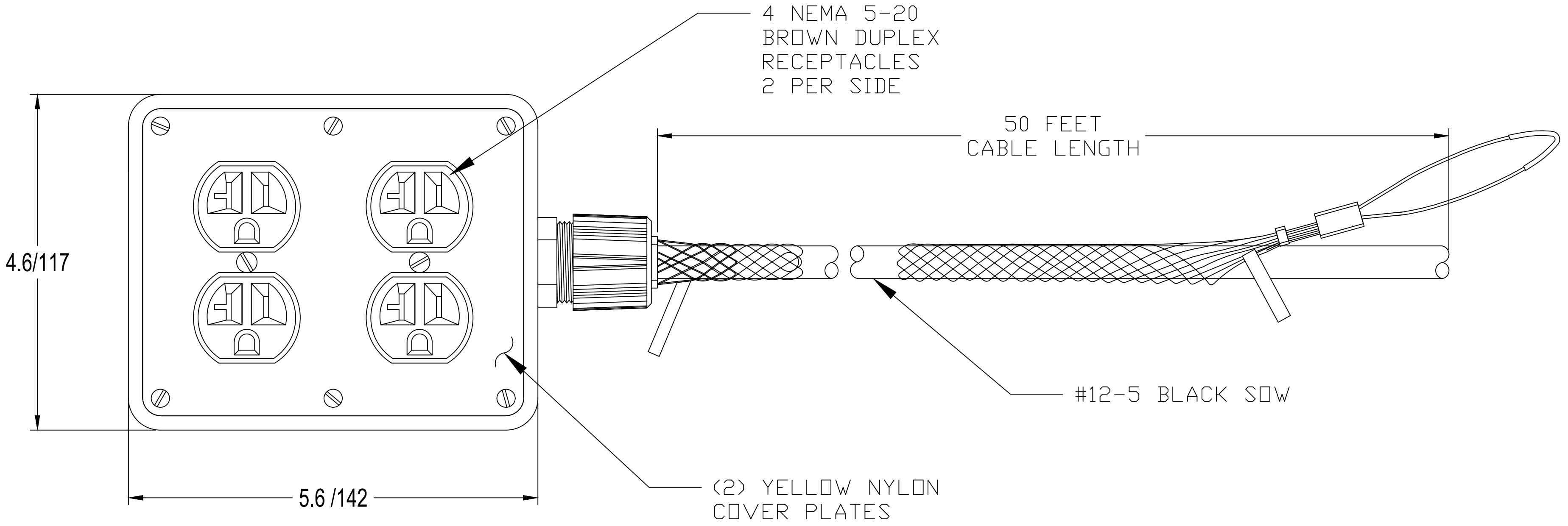


13 12 11 10 9 8 7 6 5 4 3 2 1

J  
I  
H  
G  
F  
E  
D  
C  
B  
A



CUSTOMER APPROVAL DWG EC NO: IFC2017-0130 DRWN: HKNEELAN 2016/08/05 CHKD: HKNEELAN 2016/08/22 APPR: JFMURPHY 2016/08/22	QUALITY SYMBOL	GENERAL TOLERANCES (UNLESS SPECIFIED)		DIMENSION STYLE INCH/MM		SCALE NTS	DESIGN UNITS INCH	THIRD ANGLE PROJECTION	
	▽=0	4 PLACES	±---	±---	DRAWN BY	DATE	TITLE		
	∇=0	3 PLACES	±---	±---	HKNEELAN	2016/08/05	3210 OUTLET BOX		
		2 PLACES	±0.05	±---	CHECKED BY	DATE	50FT. #12-5 BLK CORD,		
		1 PLACE	±0.10	±---	HKNEELAN	2016/08/22	4-NEMA 5-20 RECPT & GRIP		
		ANGULAR ±.5°		APPROVED BY	DATE	MOLEX INCORPORATED			
		DRAFT WHERE APPLICABLE MUST REMAIN WITHIN DIMENSIONS		JFMURPHY	2016/08/22	MATERIAL NO.	DOCUMENT NO.	SHEET NO.	
A	REV			1301350405		SD-130135-057		1 OF 1	
				SIZE C	THIS DRAWING CONTAINS INFORMATION THAT IS PROPRIETARY TO MOLEX INCORPORATED AND SHOULD NOT BE USED WITHOUT WRITTEN PERMISSION				

13 12 11 10 9 8 7 6 5 4 3 2 1