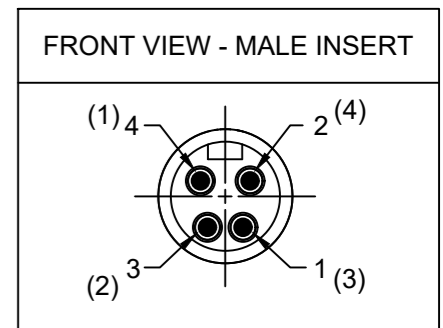
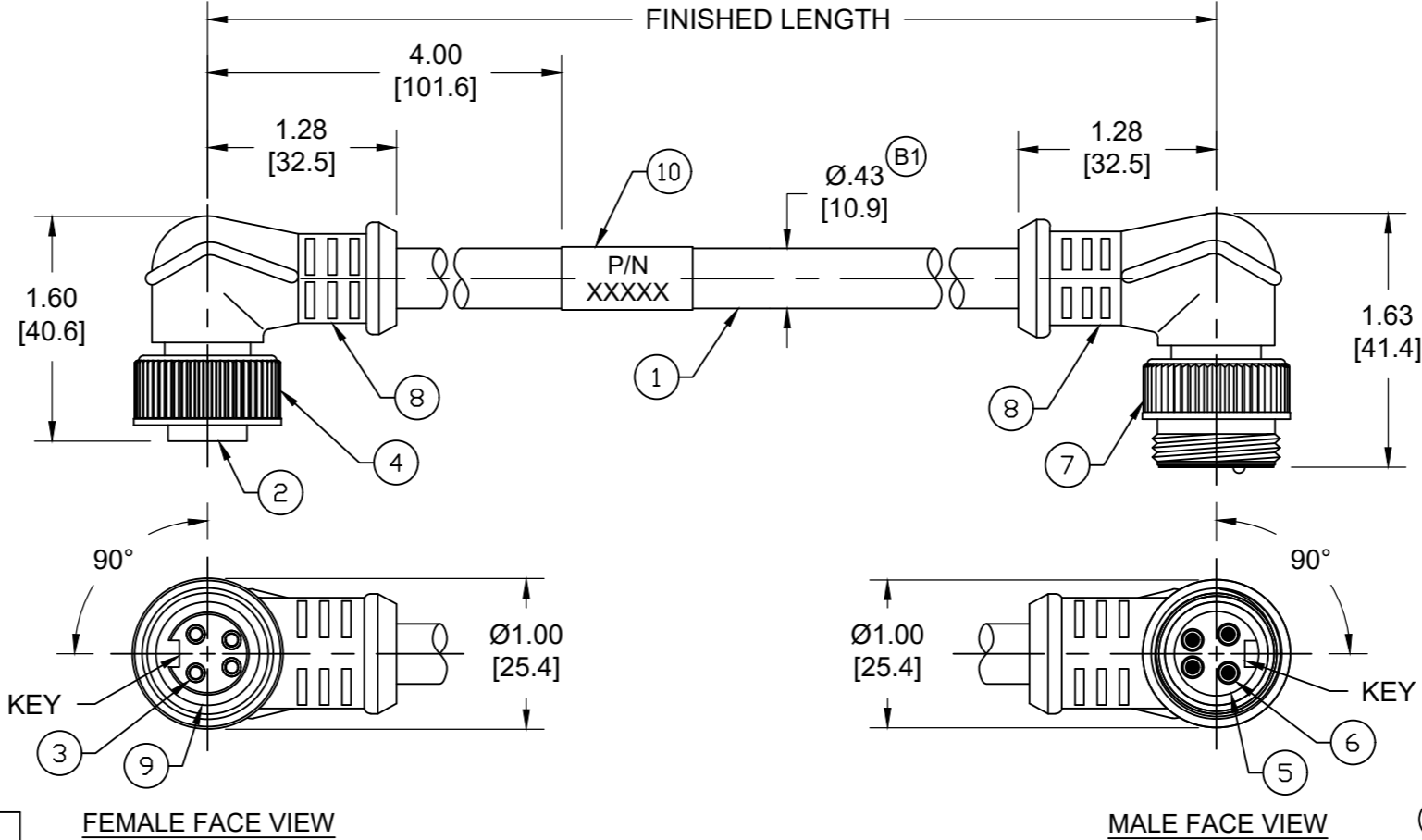


| (B1) PART NO | ENGINEERING NO. | FINISHED LENGTH   |
|--------------|-----------------|-------------------|
| 1300101743   | 114033K12M005   | 0.5M [ 1FT 8 IN ] |
| 1300101910   | 114033K12M300   | 30M [98FT 5 IN]   |
| 1300101913   | 114033K12M600   | 60M [196FT 10 IN] |



- NOTES:
- MATERIAL: SEE TABLE
  - FINISH: SEE TABLE
  - ELECTRICAL:  
VOLTAGE: 483V PER IEC60664  
600V PER UL2238  
CURRENT: 8A (B1)
  - TEMP RATING: -20°TO +90°C
  - PROTECTION: IP67 (WHEN MATED)
  - COUPLING THREAD: 7/8-16 UN
  - UL LISTED FILE: E152210 (B1)
  - ALL DIMENSIONS ARE FOR REFERENCE UNLESS TOLERANCED OR NOTED OTHERWISE



CENELEC EN 50 044 PINOUT SHOWN (SAE-J-1738A SHOWN IN PARENTHESIS)

|       |       |       |
|-------|-------|-------|
| 4 (1) | BLACK | 4 (1) |
| 3 (2) | BLUE  | 3 (2) |
| 1 (3) | BROWN | 1 (3) |
| 2 (4) | WHITE | 2 (4) |

MECHANICAL CHARACTERISTICS: (B1)

|                      |                                    |
|----------------------|------------------------------------|
| TORSIONAL FLEX TEST  | 20 MILLION CYCLES PER MIL-C-13777G |
| BEND FLEX TEST       | 20 MILLION CYCLES PER MIL-C-13777G |
| WELD SLAG RESISTANCE | WOODHEAD STANDARD S-300            |

| ITEM | DESCRIPTION          | MATERIAL      | FINISH            |
|------|----------------------|---------------|-------------------|
| 10   | WRAP LABEL           | VINYL         | BLACK/YELLOW (B1) |
| 9    | FRICTION RING        | NYLON         | WHITE (B1)        |
| 8    | OVERMOLD             | TPE           | YELLOW            |
| 7    | COUPLING NUT, MALE   | ZINC DIE-CAST | BLACK E-COAT      |
| 6    | CONTACT PIN          | COPPER ALLOY  | GOLD OVER NICKEL  |
| 5    | MALE INSERT          | TPE           | YELLOW            |
| 4    | COUPLING NUT, FEMALE | ZINC DIE-CAST | BLACK E-COAT      |
| 3    | CONTACT SOCKET       | COPPER ALLOY  | GOLD OVER NICKEL  |
| 2    | FEMALE INSERT        | TPE           | YELLOW            |
| 1    | CABLE, 16/4 AWG      | TPE           | YELLOW            |

PART NUMBER LEGEND  
114033K12M005

FINISHED LENGTH  
M005 = 0.5 METER  
M010 = 1 METER  
M100 = 10 METER

(B1) CABLE LENGTH TOLERANCES

|                          |                         |
|--------------------------|-------------------------|
| <.3M [1FT]:              | +19mm-0 [ +.75in-0]     |
| .3 - .9M [1 - 3FT]:      | +44.5mm-0 [+1.75in-0]   |
| .9 - 1.8M [3 - 6FT]:     | +55.6mm-0 [+2.19in-0]   |
| 1.8 - 3.7M [6 - 12FT]:   | +88.9mm-0 [+3.50in-0]   |
| 3.7 - 7.3M [12 - 24FT]:  | +165.1mm-0 [+6.50in-0]  |
| 7.3-14.6M [24 - 48FT]:   | +317.5mm-0 [+12.50in-0] |
| 14.6 - 30.5M [48-100FT]: | +622.3mm-0 [+24.50in-0] |
| OVER 30M [100FT]         | +2% OF FINISHED LENGTH  |

|   |   |  |               |                              |  |
|---|---|--|---------------|------------------------------|--|
| FUNCTIONAL SYMBOLS<br>F=0<br>E=0<br>P=0 | THIS DRAWING CONTAINS INFORMATION THAT IS PROPRIETARY TO MOLEX ELECTRONIC TECHNOLOGIES, LLC AND SHOULD NOT BE USED WITHOUT WRITTEN PERMISSION | CURRENT REV DESC: ADDED ITEM-9, TOL CHART, UL NUMBER AND CABLE DIA. CURRENT WAS 10A & ITEM-10 WAS MYLAR. MODIFIED PN CHART |               |                              |  |
|   | DIMENSION UNITS<br>INCH/MM  | SCALE<br>NTS   | EC NO: 709714 |                              |  |
| DIVISIONAL SYMBOLS                      | GENERAL TOLERANCES (UNLESS SPECIFIED)   | mm   | INCH          | DRWN: ABENJAMINLW 2022/05/16 | MINI-CHANGE CORDSET, A-SIZE<br>4 POLE, MALE 90DEG - FEMALE 90DEG,<br>SINGLE KEY, #16/4 AWG TPE HI-FLEX |
|   | 4 PLACES ±----  | ±----  | ±----         | CHK'D: RSTONE 2022/06/08     |  |
|   | 3 PLACES ±----  | ±----  | ±----         | APPR: BWOODMAN 2022/06/14    | PRODUCT CUSTOMER DRAWING   |
|   | 2 PLACES ±----  | ±----  | ±----         | INITIAL REVISION:            | DOCUMENT NUMBER  |
|   | 1 PLACE ±----   | ±----  | ±----         | DRWN: VOU 2012/01/19         | SD-130010-020  |
|   | 0 PLACES ±----  | ±----  | ±----         | APPR: JFMURPHY 2012/03/08    | DOC TYPE/DOC PART/REVISION   |
|   | ANGULAR TOL ± ---- °  |  |               |                              | PSD 001 B1   |
|   | DRAFT WHERE APPLICABLE MUST REMAIN WITHIN DIMENSIONS  | THIRD ANGLE PROJECTION   | DRAWING       | SERIES                       | MATERIAL NUMBER  |
|   |   |  | B-SIZE        | 130010                       | SEE CHART  |
|   |   |  |               |                              | CUSTOMER   |
|   |   |  |               |                              | GENERAL MARKET   |
|   |   |  |               |                              | SHEET NUMBER   |
|   |   |  |               |                              | 1 OF 1   |