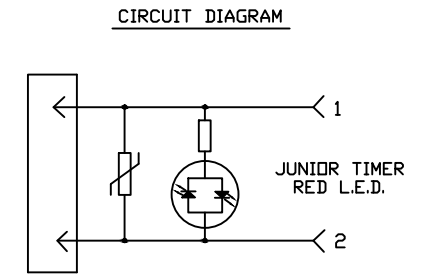
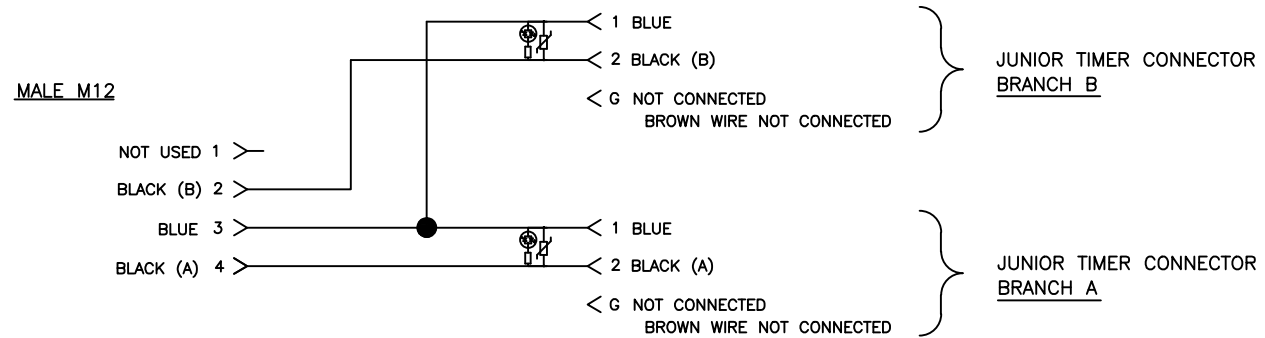
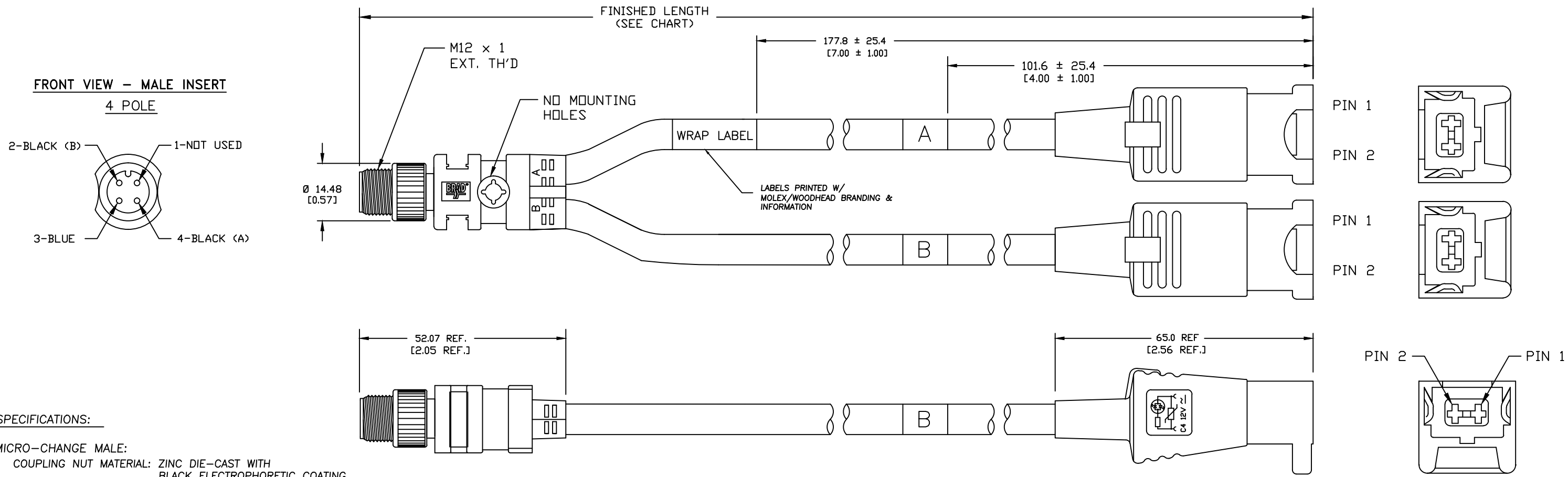


SAP P/N#	ENGINEERING P/N#	"L" (METERS)	TOLERANCE (mm)
1210560221	BG20615-M006	0.6 M	+44.5/-0.0
1210560220	BG20615-M015	1.5 M	+55.6/-0.0



ELECTRICAL SCHEMATIC



SPECIFICATIONS:

MICRO-CHANGE MALE:
 COUPLING NUT MATERIAL: ZINC DIE-CAST WITH BLACK ELECTROPHORETIC COATING
 CONTACT MATERIAL: GOLD/NICKEL OVER COPPER ALLOY
 INSERT MATERIAL: BLACK NYLON
 OVERMOLD: BLACK PVC

JUNIOR TIMER CONNECTORS:
 OVERMOLD: BLACK PUR
 CONTACT MATERIAL: GOLD/NICKEL OVER COPPER ALLOY

CABLE: #22/3 ORANGE PUR, (-40°C TO 105°C)
 UV RESISTANT JACKET

ASSEMBLY TEMPERATURE: -25°C TO 90°C
VOLTAGE: 12V, 4A
PROTECTION GRADE: IP65 EN60529

NOT UL OR CSA RECOGNIZED.

ADD 0.6M & SAP# CHNG EC NO: WEU2012-0066 DRWN: VOU 8/31/11 CHKD: LHARTMAN APPR: JFMURPHY 2010/12/06	QUALITY SYMBOLS ▽=0 ◻=0	GENERAL TOLERANCES (UNLESS SPECIFIED)		DIMENSION STYLE		SCALE	DESIGN UNITS	THIRD ANGLE PROJECTION		
				MM/INCH		---	INCH			
		4 PLACES	±---	±---	DRAWN BY	DATE	TITLE			
		3 PLACES	±---	±.005	CHECKED BY	DATE	MIC 4P MALE IN-LN SPLTR TO (2) JUNIOR TIMER #22-3 PUR CABLE			
2 PLACES	±0.13	±.010	BWOODMAN	2010/02/16						
1 PLACE	±0.25	±.020	APPROVED BY	DATE	MOLEX INCORPORATED					
ANGULAR ±1/2°		DRAFT WHERE APPLICABLE MUST REMAIN WITHIN DIMENSIONS		JFMURPHY	2010/12/06	DOCUMENT NO.		SHEET NO.		
				MATERIAL NO. BG20615-XXXX		SD-121056-001		1 OF 1		
				THIS DRAWING CONTAINS INFORMATION THAT IS PROPRIETARY TO MOLEX INCORPORATED AND SHOULD NOT BE USED WITHOUT WRITTEN PERMISSION						