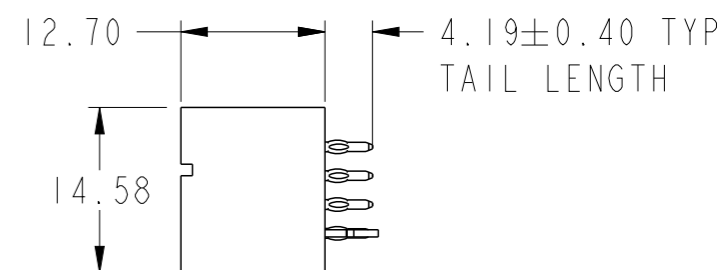
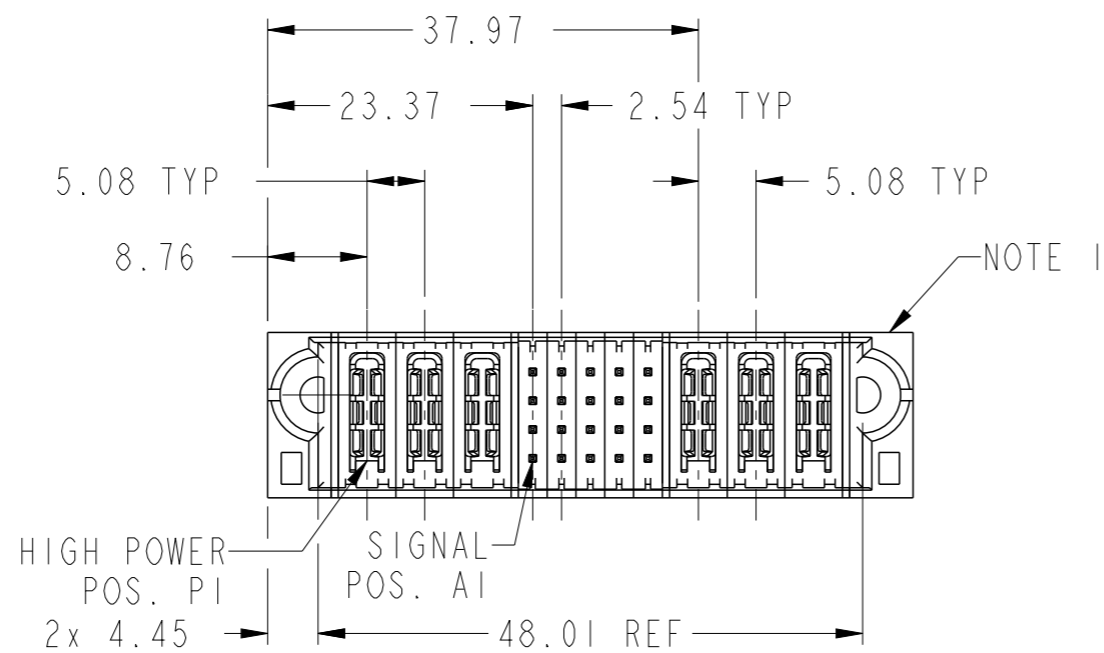
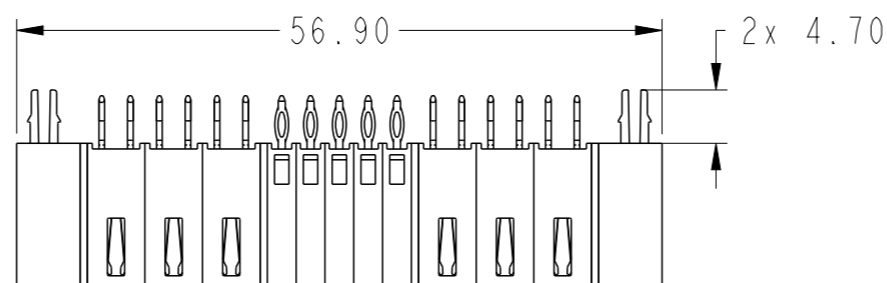
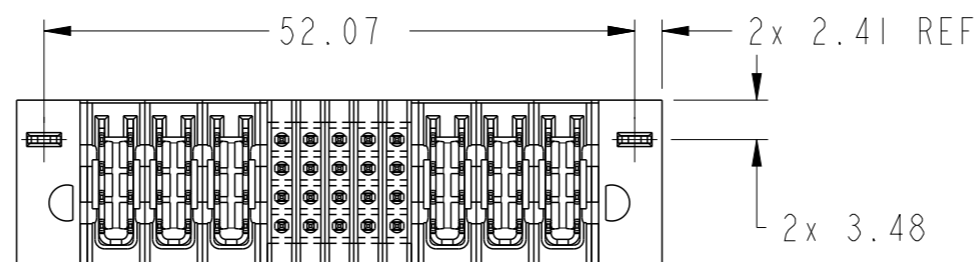


PART NUMBER SEE SHEET 2

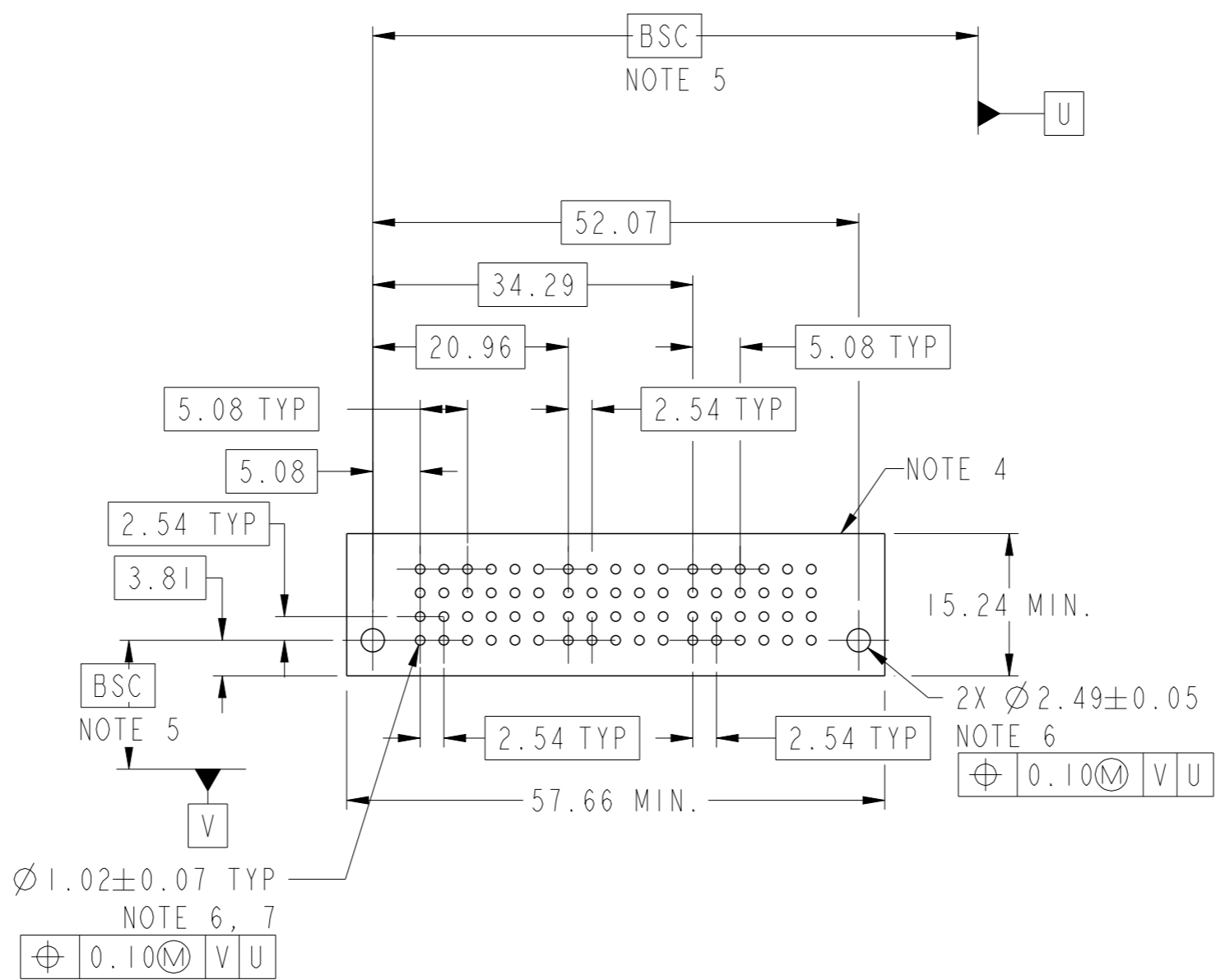


Copyright FCI.

spec ref	*	dr	Rainbow Zhan	2014/09/03	projection	MM	size	A3	scale	3:2												
tolerance std	ASME Y14.5	eng	Rainbow Zhan	2014/09/17			ecn no	-	rel level	Released												
TOLERANCES UNLESS OTHERWISE SPECIFIED		chr	Li-He	2014/09/15																		
surface	<table border="1"> <tr> <td>linear</td> <td>0.X</td> <td>±0.5</td> </tr> <tr> <td></td> <td>0.XX</td> <td>±0.25</td> </tr> <tr> <td></td> <td>0.XXX</td> <td>±0.10</td> </tr> <tr> <td>angular</td> <td>0°</td> <td>±2°</td> </tr> </table>	linear	0.X	±0.5		0.XX	±0.25		0.XXX	±0.10	angular	0°	±2°	appr	Pei-Ming Zheng	2014/09/16	product family	PwrBlade+	dwg no	10106137-6005001	rev	A
linear	0.X	±0.5																				
	0.XX	±0.25																				
	0.XXX	±0.10																				
angular	0°	±2°																				
www.fci.com		cat. no.		Product - Customer Drw		sheet 1 of 3																

PRODUCT NO. 10106137-6005001LF	ROWS DCBA	HP			SIGNAL					HP			E2
		E1	P1	P2	P3	1	2	3	4	5	P4	P5	

CODE	DESCRIPTION
G	STD SIGNAL CONTACT
H4	STD HIGH POWER CONTACT
HA	METAL HOLD DOWN



dr	Rainbow Zhan	2014/09/03	projection	MM	size	A3	scale	3:2
eng	Rainbow Zhan	2014/09/17			ecn no		-	
chr	Li-He	2014/09/15			rel level		Released	
appr	Pei-Ming Zheng	2014/09/16	product family		PwrBlade+		A	
			3HDP+20S+3HDP VERTICAL PF HEADER			dwg no 10106137-6005001	rev A	
www.fci.com			cat. no.		Product - Customer Drw		sheet 2 of 3	

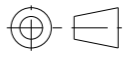
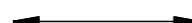

Copyright FCI.

NOTES:

- 1) "FCI", PART NUMBER AND DATE CODE TO BE MARKED ON THIS SURFACE.
THE MARK CAN BE OMITTED IF THERE IS NOT ENOUGH SPACE ON THIS SURFACE.
- 2) MATERIALS:
-HOUSING - GLASS FILLED WITH HIGH TEMP THERMOPLASTIC, UL94V-0.
-SIGNAL CONTACT - COPPER ALLOY.
-POWER CONTACT - HIGH CONDUCTIVITY COPPER ALLOY.
- 3) PLATING SPECIFICATION REFER TO FCI 10116351
- 4) DENOTES CONNECTOR KEEP OUT ZONE.
- 5) DATUM AND BASIC DIMENIONS WERE ESTABLISHED BY CUSTOMER.
- 6) ALL HOLE DIAMETERS ARE FINISHED HOLE SIZES.
- 7) 1.15 ± 0.025 MM DRILLED HOLE PLATED WITH 0.00762MM MIN Sn
OVER 0.0254-0.0762MM Cu PLATING TO ACHIEVE A 1.02 ± 0.07 MM HOLE.
- 8) PRODUCT SPECIFICATION REFER TO FCI GS-12-658.
APPLICATION SPECIFICATION REFER TO FCI GS-20-141.
PRODUCT PACKAGED IN TRAYS, REFER TO FCI GS-14-1502.



Copyright FCI.

dr	Rainbow Zhan	2014/09/03	projection 	MM 	size	A3	scale	3:2
eng	Rainbow Zhan	2014/09/17			ecn no	-		
chr	Li-He	2014/09/15			rel level	Released		
appr	Pei-Ming Zheng	2014/09/16	product family	PwrBlade+				
		title 3HDP+20S+3HDP VERTICAL PF HEADER		dwg no 10106137-6005001	rev A			
www.fci.com		cat. no.	Product - Customer Drw		sheet 3 of 3			