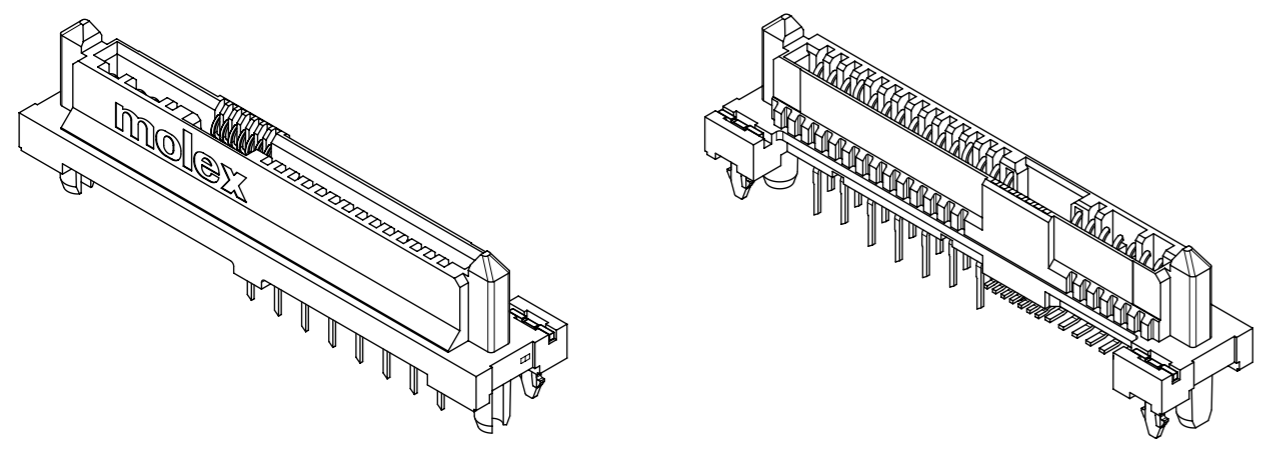
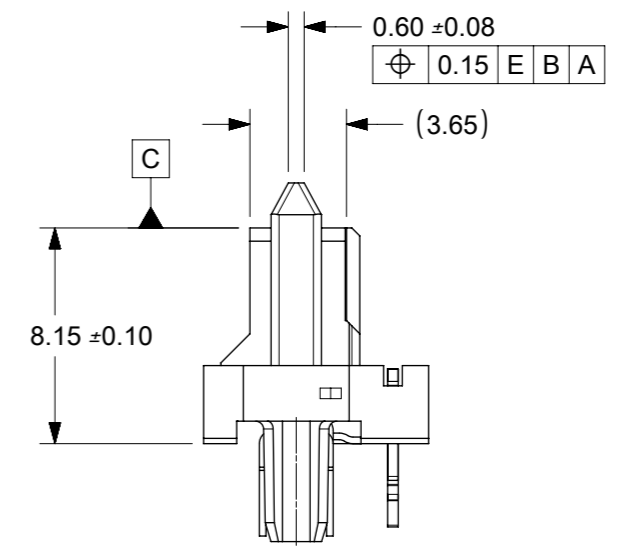
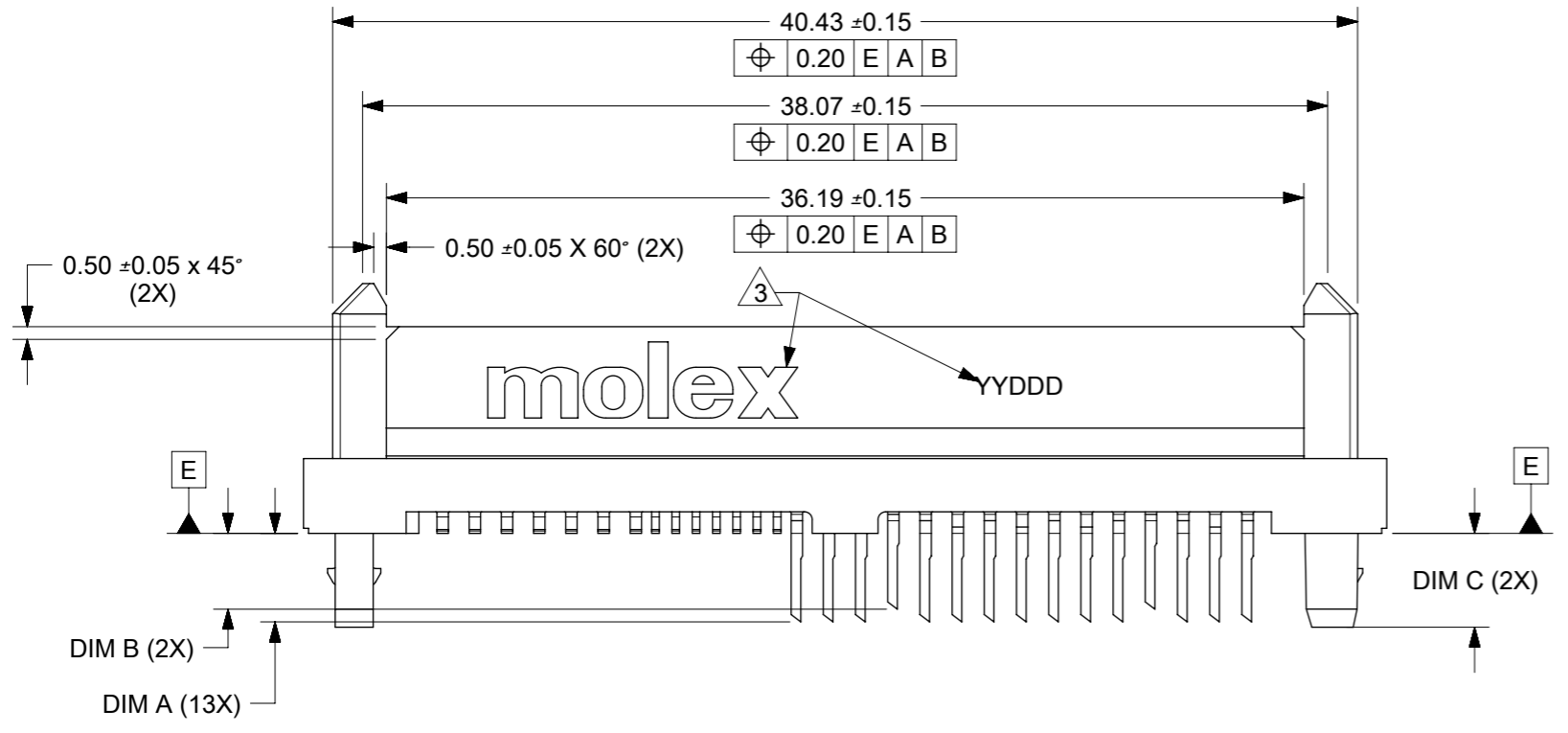
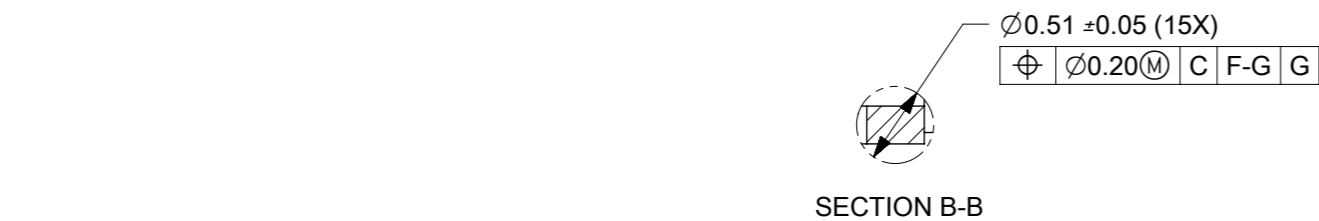
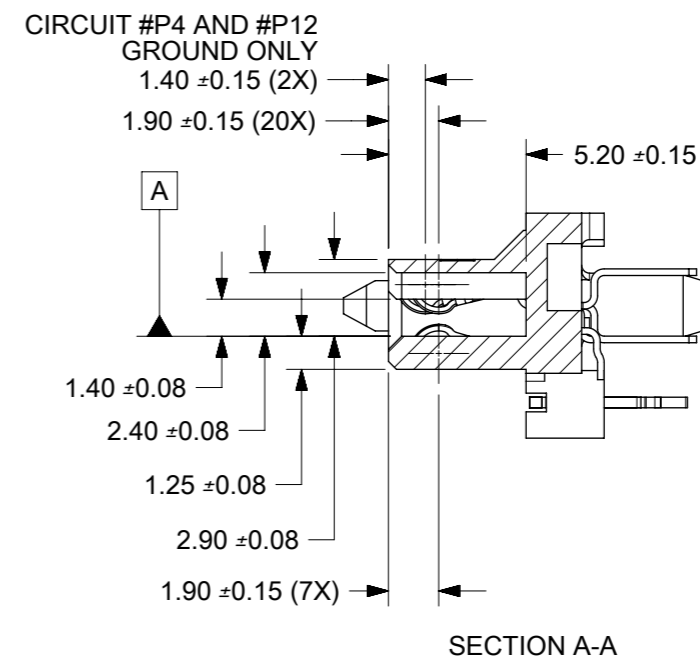
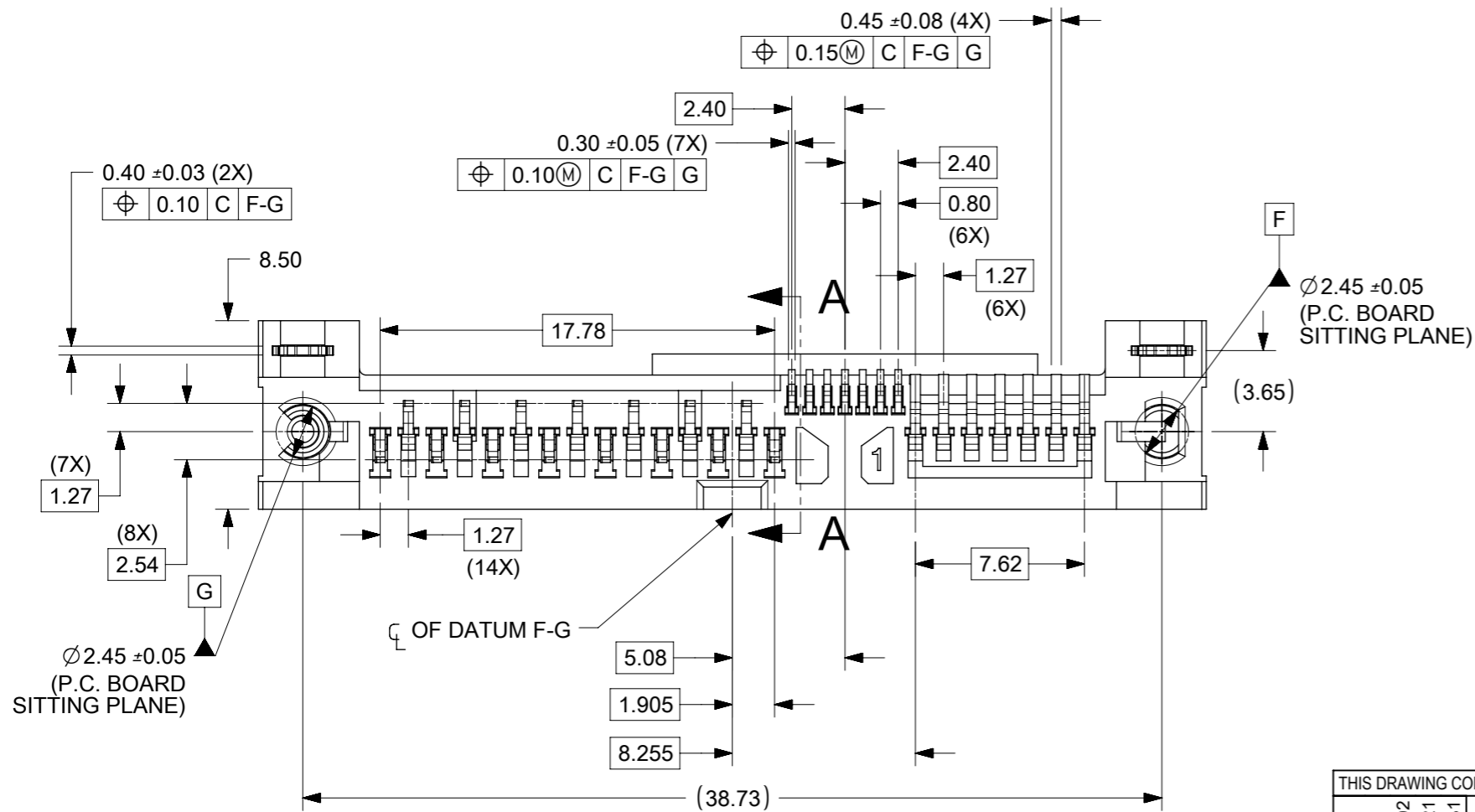
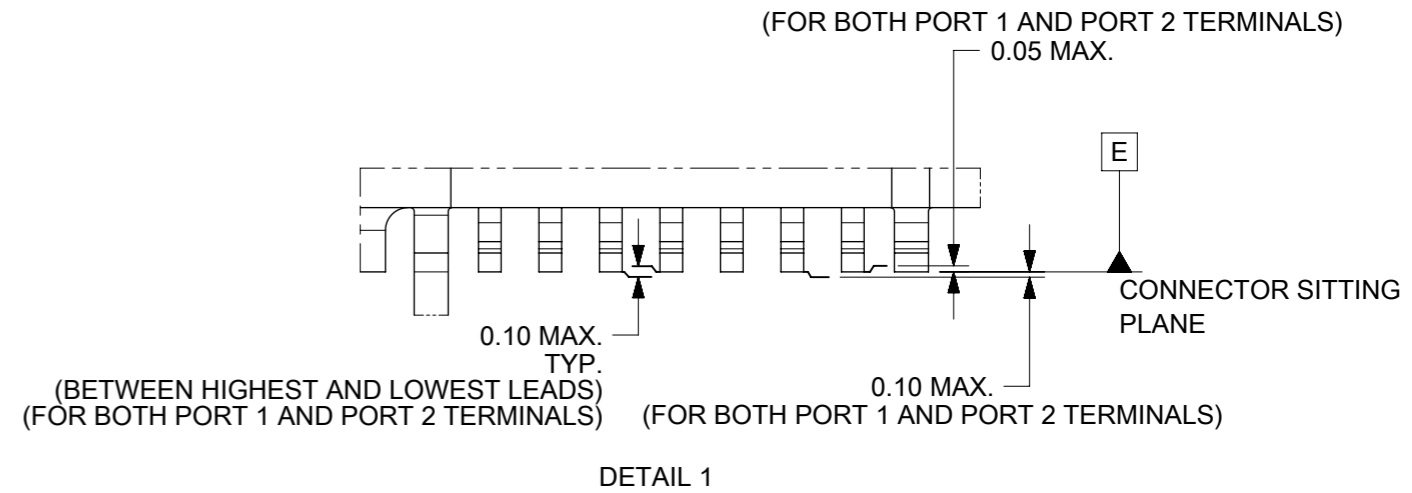
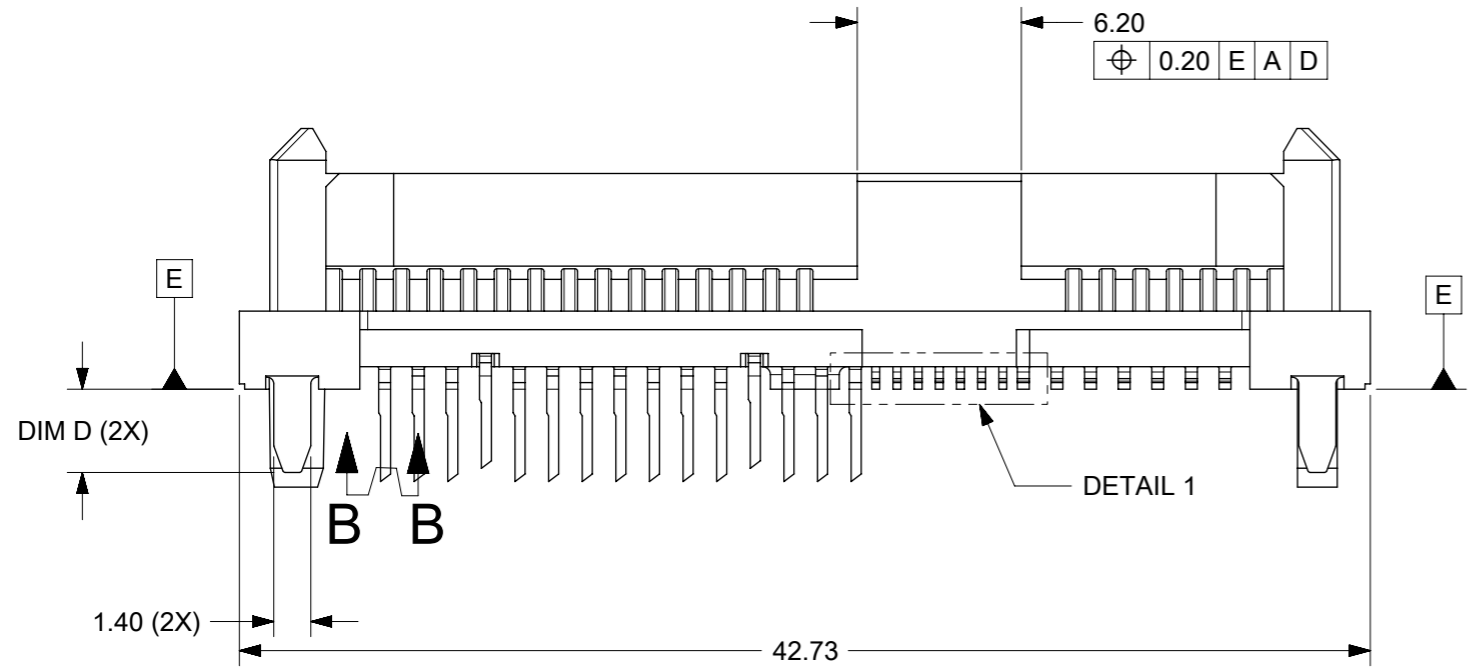


- NOTES:
- MATERIAL: LIQUID CRYSTALLINE POLYMER (LCP), GLASS FILLED, UL 94V-0, COLOR: BLACK.
TERMINAL: COPPER ALLOY
 - PLATING:
CONTACT: 0.76µm MIN. SELECTIVE GOLD OVER 1.27µm MIN. NICKEL UNDERPLATE.
SOLDERTAIL: 2.54µm MIN. TIN OVER 1.27µm MIN. NICKEL UNDERPLATE.
 - MOLEX LOGO AND DATE CODE LOCATED APPROXIMATELY AS SHOWN.
 - PACKAGING: SEE TABLE
 - PRODUCT IS COMPLIANT TO RoHS DIRECTIVE WITH THE FOLLOWING BANNED SUBSTANCES - LEAD MERCURY, CADMIUM, HEXAVALENT CHROMIUM, POLYBROMINATED BIPHENYLS AND POLYBROMINATED DIPHENYL ETHERS.
 - PRODUCT SPECIFICATION PS-78716-001 APPLIES.
 - REFER TO AS-78716-001 FOR PCB ROUTING RECOMMENDATIONS.



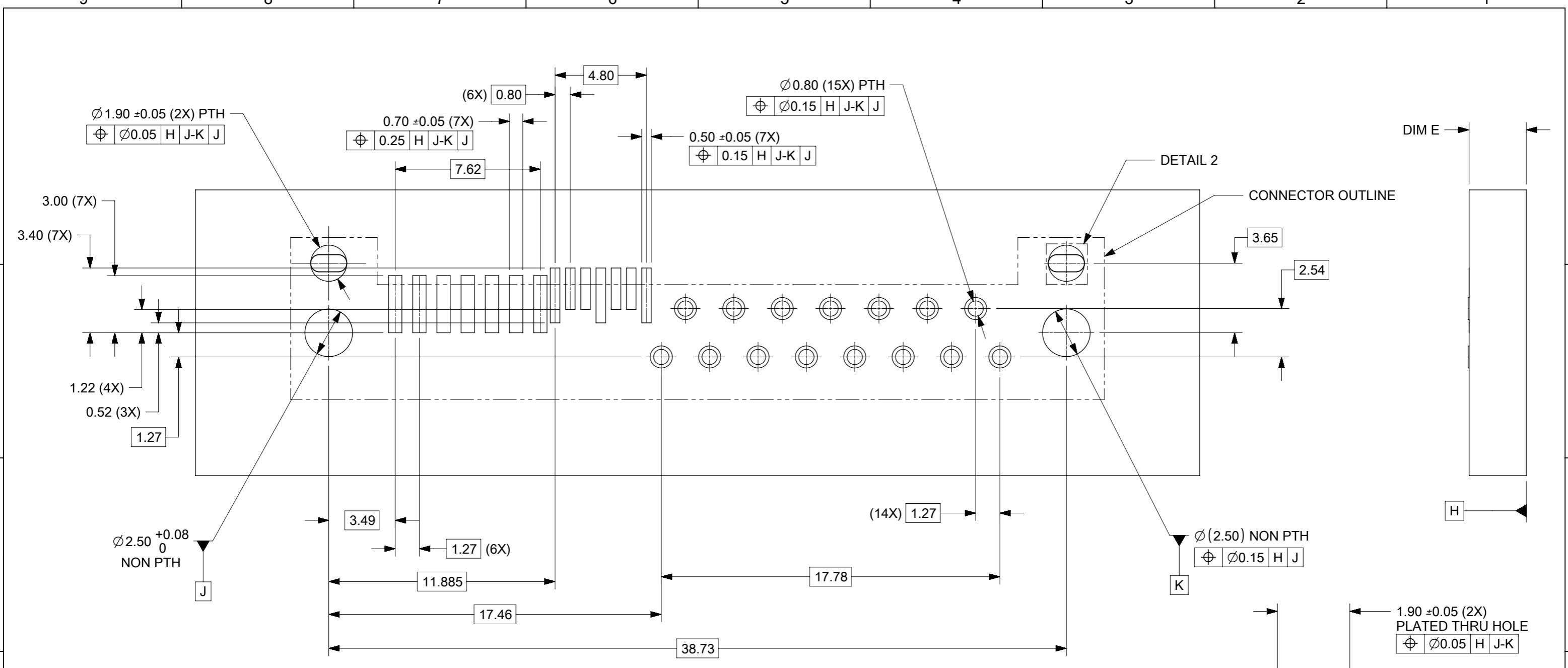
THIS DRAWING CONTAINS INFORMATION THAT IS PROPRIETARY TO MOLEX ELECTRONIC TECHNOLOGIES, LLC AND SHOULD NOT BE USED WITHOUT WRITTEN PERMISSION

EC NO: 121298 DRWN: BBEGALIMADHU CHK'D: CWANG25 APPR: SHONG	2018/01/02 2018/05/21 2018/05/31	GENERAL TOLERANCES (UNLESS SPECIFIED) ANGULAR TOL ± 3.0 °	DIMENSION UNITS: MM SCALE: NTS			
	4 PLACES ± 3 PLACES ± 2 PLACES ± 0.2 1 PLACE ± 0 PLACES ±	DRWN BY: CGOH DATE: 2011/09/29	DRWN BY: CGOH DATE: 2011/09/29			
	DRAFT WHERE APPLICABLE MUST REMAIN WITHIN DIMENSIONS	APPR BY: GMENARLY DATE: 2012/02/06	APPR BY: GMENARLY DATE: 2012/02/06	PRODUCT CUSTOMER DRAWING		
	DRAWING SIZE: A3 THIRD ANGLE PROJECTION	DRAWING SIZE: A3 THIRD ANGLE PROJECTION	DRAWING SIZE: A3 THIRD ANGLE PROJECTION	SERIES: 78716 MATERIAL NUMBER: SEE TABLE CUSTOMER: GENERAL MARKET	SERIES: 78716 MATERIAL NUMBER: SEE TABLE CUSTOMER: GENERAL MARKET	SERIES: 78716 MATERIAL NUMBER: SEE TABLE CUSTOMER: GENERAL MARKET
	B6	REV:	DRAFT WHERE APPLICABLE MUST REMAIN WITHIN DIMENSIONS	DIMENSION UNITS: MM SCALE: NTS	DOCUMENT NUMBER: SD-78716-001 DOC TYPE: PSD DOC PART: 001 SHEET NUMBER: 1 OF 4	DOCUMENT NUMBER: SD-78716-001 DOC TYPE: PSD DOC PART: 001 SHEET NUMBER: 1 OF 4

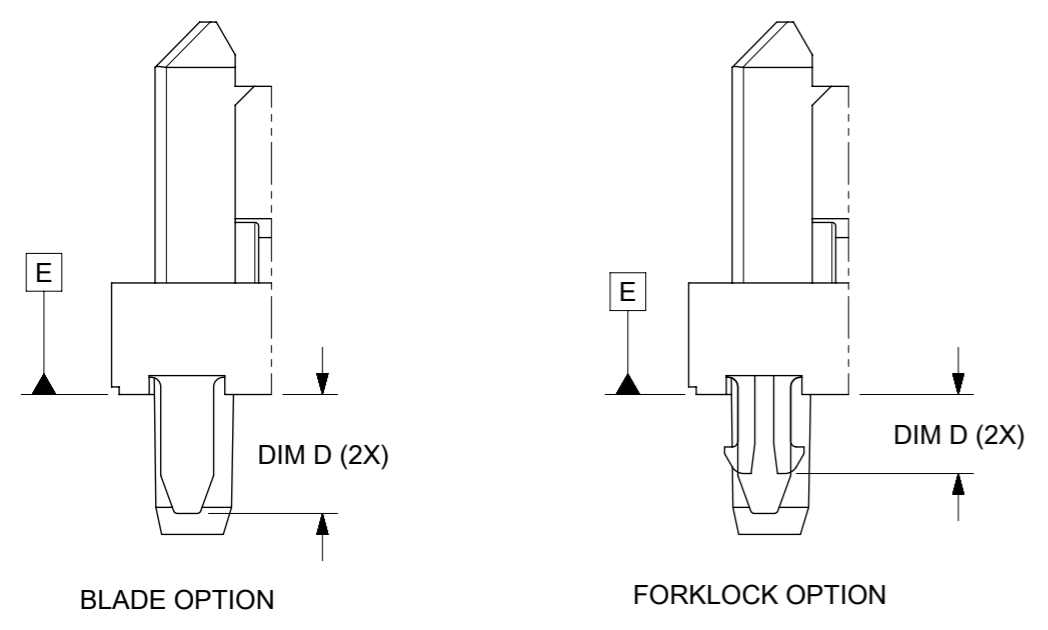


THIS DRAWING CONTAINS INFORMATION THAT IS PROPRIETARY TO MOLEX ELECTRONIC TECHNOLOGIES, LLC AND SHOULD NOT BE USED WITHOUT WRITTEN PERMISSION

REVISED	2018/01/02	GENERAL TOLERANCES (UNLESS SPECIFIED)	DIMENSION UNITS	SCALE	molex [®]			
	2018/05/21		MM	NTS				
	2018/05/31		ANGULAR TOL ± 3.0 °	DRWN BY		DATE		
	4 PLACES ±		CGOH	2011/09/29				
	3 PLACES ±		CHK'D BY	DATE				
2 PLACES ± 0.2	GMENARLY	2012/02/06	PRODUCT CUSTOMER DRAWING					
1 PLACE ±	APPR BY	DATE	DRAWING SIZE	THIRD ANGLE PROJECTION	SERIES	MATERIAL NUMBER	CUSTOMER	
0 PLACES ±	BOKOK	2012/02/06	A3		78716	SEE TABLE	GENERAL MARKET	
DRAFT WHERE APPLICABLE MUST REMAIN WITHIN DIMENSIONS			DOCUMENT NUMBER			DOC TYPE	DOC PART	SHEET NUMBER
			SD-78716-001			PSD	001	2 OF 4



RECOMMENDED PCB LAYOUT



THIS DRAWING CONTAINS INFORMATION THAT IS PROPRIETARY TO MOLEX ELECTRONIC TECHNOLOGIES, LLC AND SHOULD NOT BE USED WITHOUT WRITTEN PERMISSION																
REVISED	2018/01/02	GENERAL TOLERANCES (UNLESS SPECIFIED)		DIMENSION UNITS	SCALE											
	2018/05/21	ANGULAR TOL ± 3.0 °		MM	NTS											
	2018/05/31	4 PLACES	±	DRWN BY	DATE	SAS BACKPLANE HYBRID STD HEIGHT RECEPTACLE										
	EC NO: 121298	3 PLACES	±	CGOH	2011/09/29											
	DRWN: BBEGALIMADHU	2 PLACES	± 0.2	CHK'D BY	DATE	PRODUCT CUSTOMER DRAWING										
CHK'D: CWANG25	1 PLACE	±	GMENARLY	2012/02/06												
APP: SHONG	0 PLACES	±	APPR BY	DATE	<table border="1"> <tr> <td>SERIES</td> <td>MATERIAL NUMBER</td> <td>CUSTOMER</td> </tr> <tr> <td>78716</td> <td>SEE TABLE</td> <td>GENERAL MARKET</td> </tr> </table>				SERIES	MATERIAL NUMBER	CUSTOMER	78716	SEE TABLE	GENERAL MARKET		
SERIES	MATERIAL NUMBER	CUSTOMER														
78716	SEE TABLE	GENERAL MARKET														
B6	DRAFT WHERE APPLICABLE MUST REMAIN WITHIN DIMENSIONS		DRAWING SIZE	THIRD ANGLE PROJECTION	<table border="1"> <tr> <td>DOCUMENT NUMBER</td> <td>DOC TYPE</td> <td>DOC PART</td> <td>SHEET NUMBER</td> </tr> <tr> <td>SD-78716-001</td> <td>PSD</td> <td>001</td> <td>3 OF 4</td> </tr> </table>				DOCUMENT NUMBER	DOC TYPE	DOC PART	SHEET NUMBER	SD-78716-001	PSD	001	3 OF 4
DOCUMENT NUMBER	DOC TYPE	DOC PART	SHEET NUMBER													
SD-78716-001	PSD	001	3 OF 4													
			A3													

PART NO	HOLD DOWN	DIM A±0.15 (13X) (PORT 1 EXCLUDING P4 &P12)	DIM B±0.15 (2X) (PORT 1- P4 & P12)	PEG HEIGHT (2X) DIM C±0.10	BLADE/FORKLOCK HEIGHT (2X), DIM D	REC. PCB THICKNESS DIM E ±0.10	PACKAGING	QUANTITY	PICK & PLACE CAP	PACKAGING SPECIFICATION
78716-0001	BLADE	3.49	2.99	3.70	3.15	3.00	TRAY	50/TRAY	NO	PK-78716-001
78716-0011	BLADE	2.36	2.36	2.00	2.36	2.34				
78716-0002	BLADE	3.49	2.99	3.70	3.15	3.00	TRAY	50/TRAY	YES	
78716-0012	BLADE	2.36	2.36	2.00	2.36	2.34				
78716-0004	BLADE	3.49	2.99	3.70	3.15	3.00	TAP AND	250/REEL	YES	PK-78716-002
78716-0014	BLADE	2.36	2.36	2.00	2.36	2.34				
78716-0015	FORKLOCK	2.11	2.11	2.00	2.06	2.34	REEL			
78716-0016	FORKLOCK	2.11	2.11	2.00	2.06	2.34	TRAY	50/TRAY	YES	PK-78716-001
78716-0018	FORKLOCK	2.99	2.99	3.70	2.06	2.46	TAP AND REEL	250/REEL	YES	PK-78716-002

THIS DRAWING CONTAINS INFORMATION THAT IS PROPRIETARY TO MOLEX ELECTRONIC TECHNOLOGIES, LLC AND SHOULD NOT BE USED WITHOUT WRITTEN PERMISSION												
REVISED EC NO: 121298 DRWN: BBEGALIMADHU CHK'D: CWANG25 REV APPR: SHONG	2018/01/02	GENERAL TOLERANCES (UNLESS SPECIFIED)		DIMENSION UNITS	SCALE	molex SAS BACKPLANE HYBRID STD HEIGHT RECEPTACLE						
	2018/05/21	ANGULAR TOL ± 3.0 °		MM	NTS							
	2018/05/31	4 PLACES	±	DRWN BY	DATE							
			3 PLACES	±	CGOH	2011/09/29	PRODUCT CUSTOMER DRAWING					
			2 PLACES	± 0.2	CHK'D BY	DATE						
			1 PLACE	±	GMENARLY	2012/02/06						
			0 PLACES	±	APPR BY	DATE	SERIES	MATERIAL NUMBER	CUSTOMER			
			DRAFT WHERE APPLICABLE MUST REMAIN WITHIN DIMENSIONS		DRAWING SIZE	THIRD ANGLE PROJECTION	78716	SEE TABLE	GENERAL MARKET			
					A3		DOCUMENT NUMBER		DOC TYPE	DOC PART	SHEET NUMBER	
							SD-78716-001		PSD	001	4 OF 4	

RELEASE STATUS	P1	RELEASE DATE	2018/05/31	08:43:49
----------------	----	--------------	------------	----------