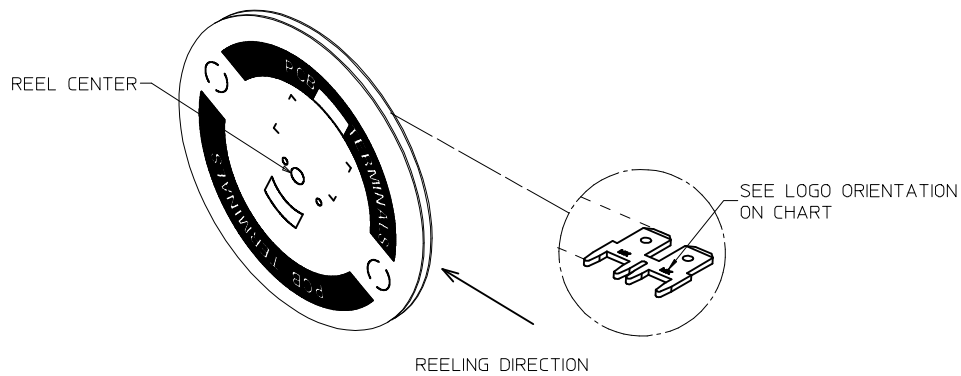
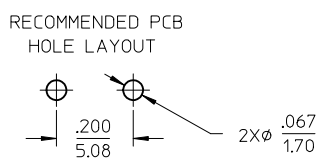
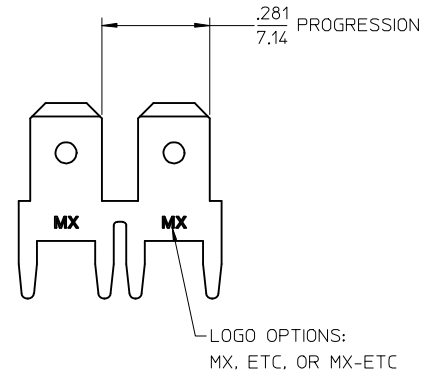
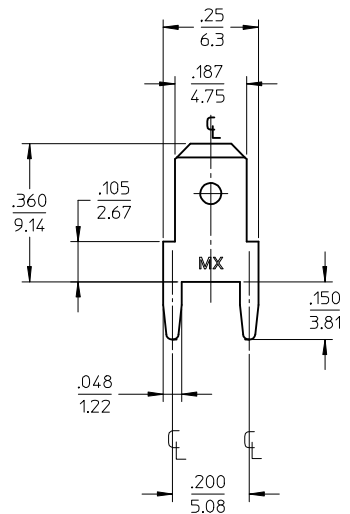
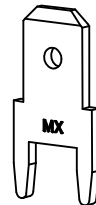


MATERIAL NUMBER	ENGINEERING NUMBER	CARRIER	TAB THICKNESS	LOGO ORIENTATION
197084003	19708-4003	STRIP	.020/0.51	IN
197084013	19708-4013	STRIP	.032/0.81	
197084015	19708-4015	STRIP	.032/0.81	
197084001	19708-4001	LOOSE	.020/0.51	-
197084011	19708-4011	LOOSE	.032/0.81	-



**(J1)**  
NOTES:

1. BARE EDGES PERMISSIBLE AT CARRIER CUT OFF.
2. MATERIAL: BRASS C26000
3. MATERIAL THICKNESS: SEE CHART
4. TAB CONFORMS TO NEMA SPECIFICATIONS.
5. ALL DIMENSIONS AND NOTES REFERENCE UNLESS OTHERWISE NOTED.
6. PLATING: MATTE TIN, 150μN/3.81μmm MINIMUM THICKNESS OVER NICKEL 50μN/1.25μmm MINIMUM THICKNESS.
7. REF.: 9,000 MINIMUM PARTS PER REEL, REEL HAS 14" DIAMETER REEL WITH A 1.25" DIAMETER CENTER HOLE.
8. PART IS ROHS COMPLIANT.

<b>NOTES UPDATED</b> EC NO: IFG2017-1157 2017/06/27 DRAWING: JASO1 2017/06/27 CHKD: JMACNEIL 2017/06/28 APPR: JMACNEIL 2017/06/28	<b>QUALITY SYMBOLS</b> ▽=0 ▽=0	<b>GENERAL TOLERANCES (UNLESS SPECIFIED)</b>		<b>DIMENSION STYLE</b> IN/MM		SCALE 4:1	DESIGN UNITS INCH	THIRD ANGLE PROJECTION		
		4 PLACES ± --- ± ---	mm INCH	DRAWN BY JH	DATE 10/18/96	<b>QUICK DISCONNECT PCB MOUNTABLE .187 X .032/.020 TAB</b>				
		3 PLACES ± --- ± .005	INCH	CHECKED BY RWD	DATE 10/18/96					
		2 PLACES ± 0.13 ± .01	mm INCH	APPROVED BY RWD	DATE 10/18/96	<b>MOLEX INCORPORATED</b>		MATERIAL NO. <b>SEE CHART</b>	DOCUMENT NO. <b>SD-19708-400</b>	SHEET NO. 1 OF 1
DRAFT WHERE APPLICABLE MUST REMAIN WITHIN DIMENSIONS		SIZE C	THIS DRAWING CONTAINS INFORMATION THAT IS PROPRIETARY TO MOLEX INCORPORATED AND SHOULD NOT BE USED WITHOUT WRITTEN PERMISSION							