

1

2

3

4

U\_B2B\_Connectors  
B2B\_Connectors.SchDoc



Ethernet  
Ethernet.SchDoc



U\_LED\_SW\_BUT  
LED\_SW\_BUT.SchDoc



U\_POWER  
POWER.SchDoc



U\_VG\_CONN  
VG\_CONN.SchDoc



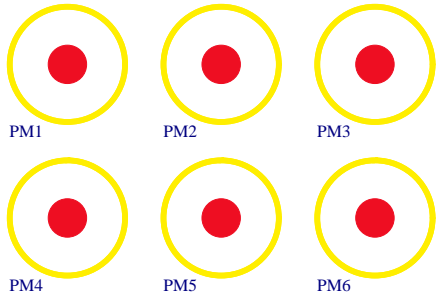
U\_USB  
USB.SchDoc



SDCard  
SDCard.SchDoc



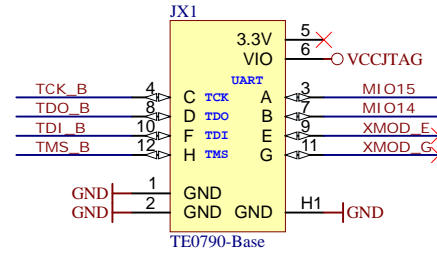
U\_ETH-PHY  
ETH-PHY.SchDoc



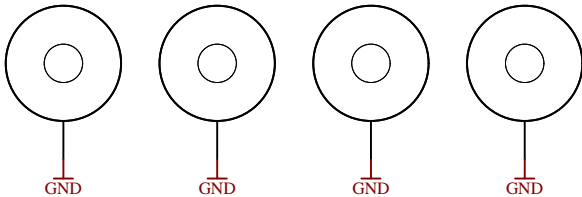
Serial  
Serial  
Serialnumber 6,3 x 6.3mm



XMOD-FT2232H header: JTAG and UART



Mount.Hole 3.2mm Mount.Hole 3.2mm Mount.Hole 3.2mm Mount.Hole 3.2mm



LOGO1

TE Logo PRINT Layer

LOGO PRINT



Title: <b>Overview</b>		
A4	Number: <b>TE0706 Default</b>	Rev. <b>03</b>
Date: <b>2018-12-27</b>	Copyright: <b>Trenz Electronic GmbH</b>	Page1 of 10
Filename: <b>TE0706.SchDoc</b>		

1

2

3

4

A

B

C

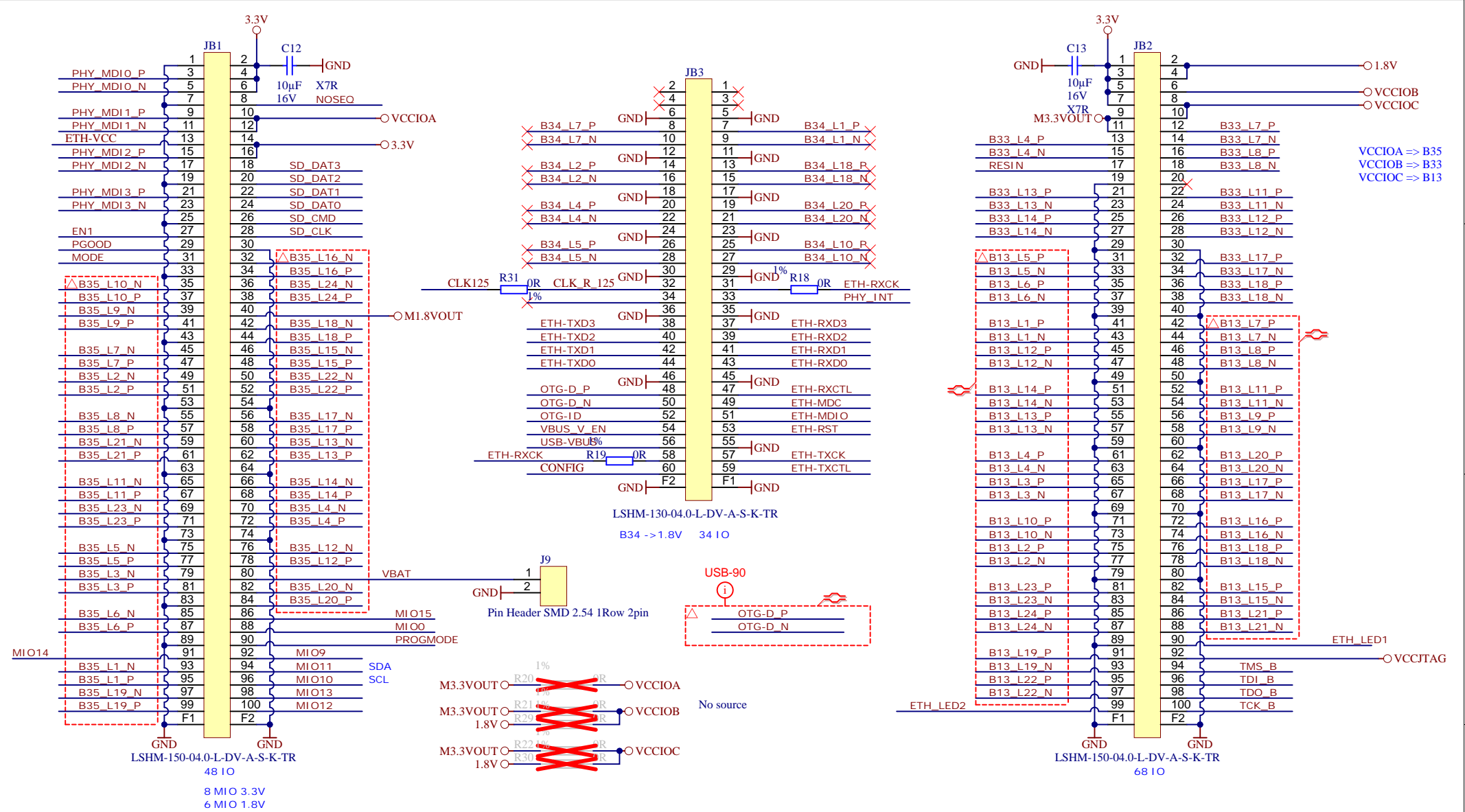
D

A

B

C

D



VCCIOA => B35  
VCCIOB => B33  
VCCIOC => B13

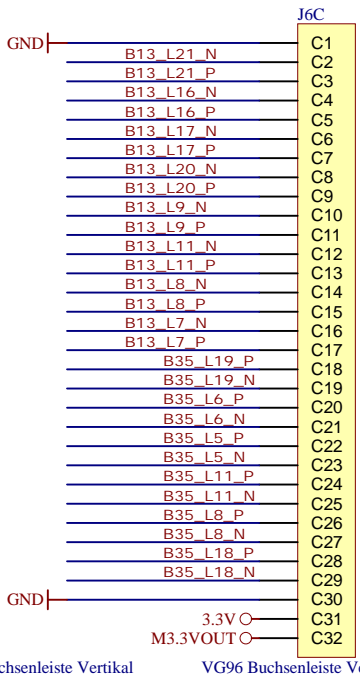
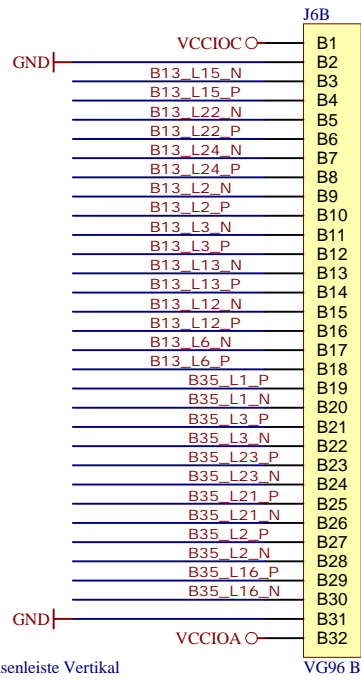
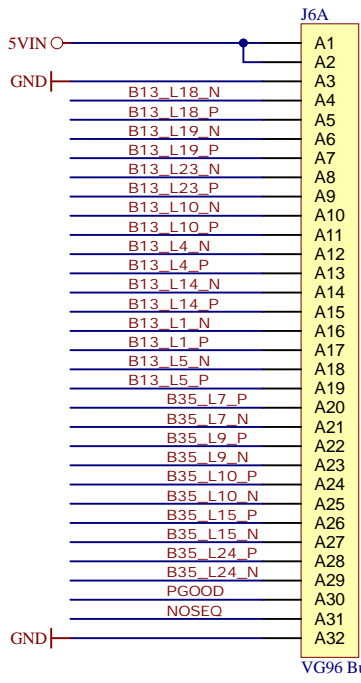
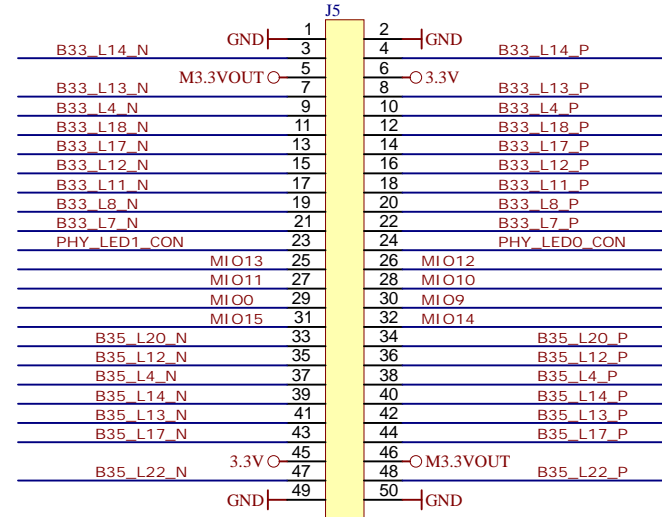
LSHM-130-04.0-L-DV-A-S-K-TR  
B34 -> 1.8V 34 IO

LSHM-150-04.0-L-DV-A-S-K-TR  
68 IO

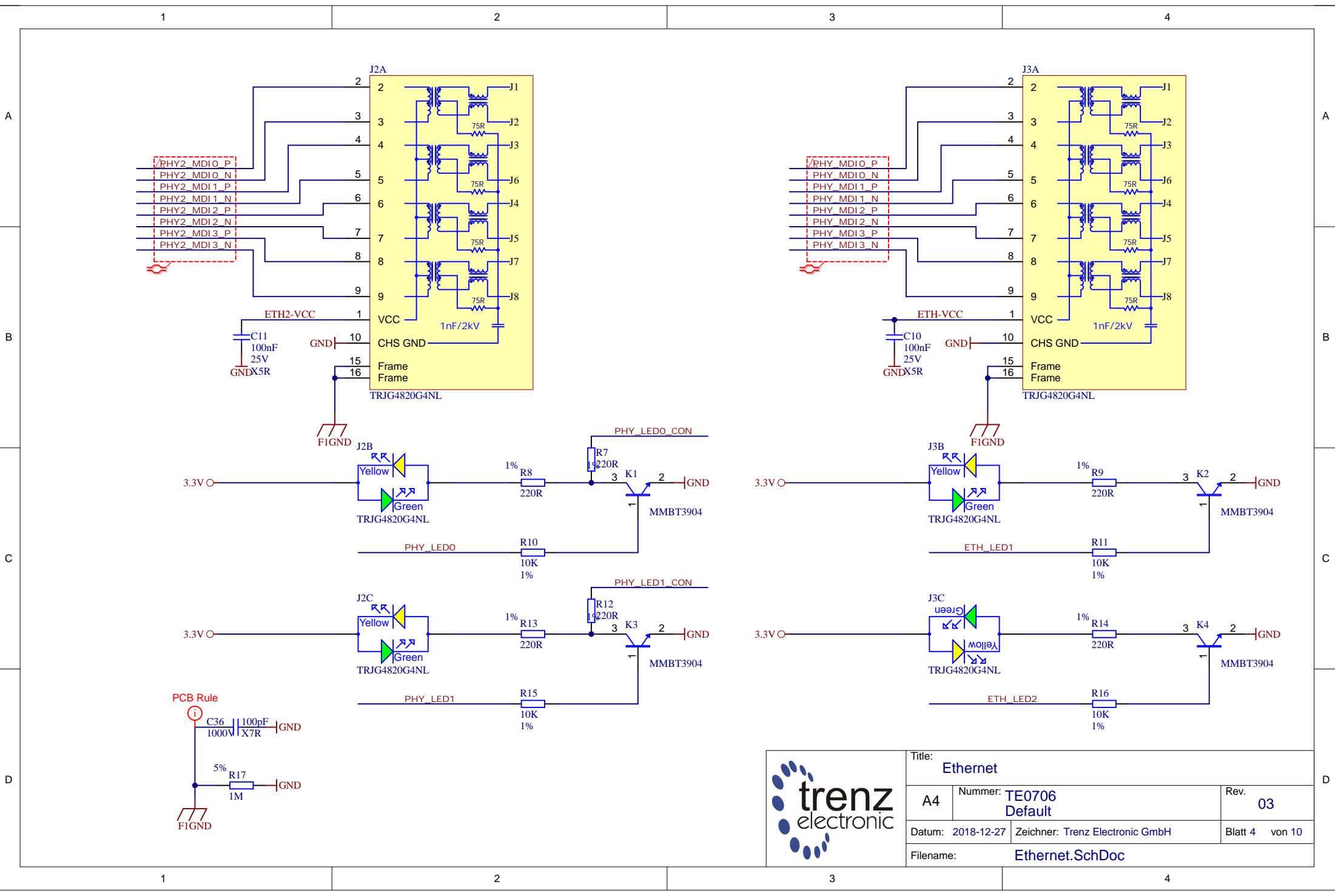
LSHM-150-04.0-L-DV-A-S-K-TR  
48 IO  
8 MIO 3.3V  
6 MIO 1.8V



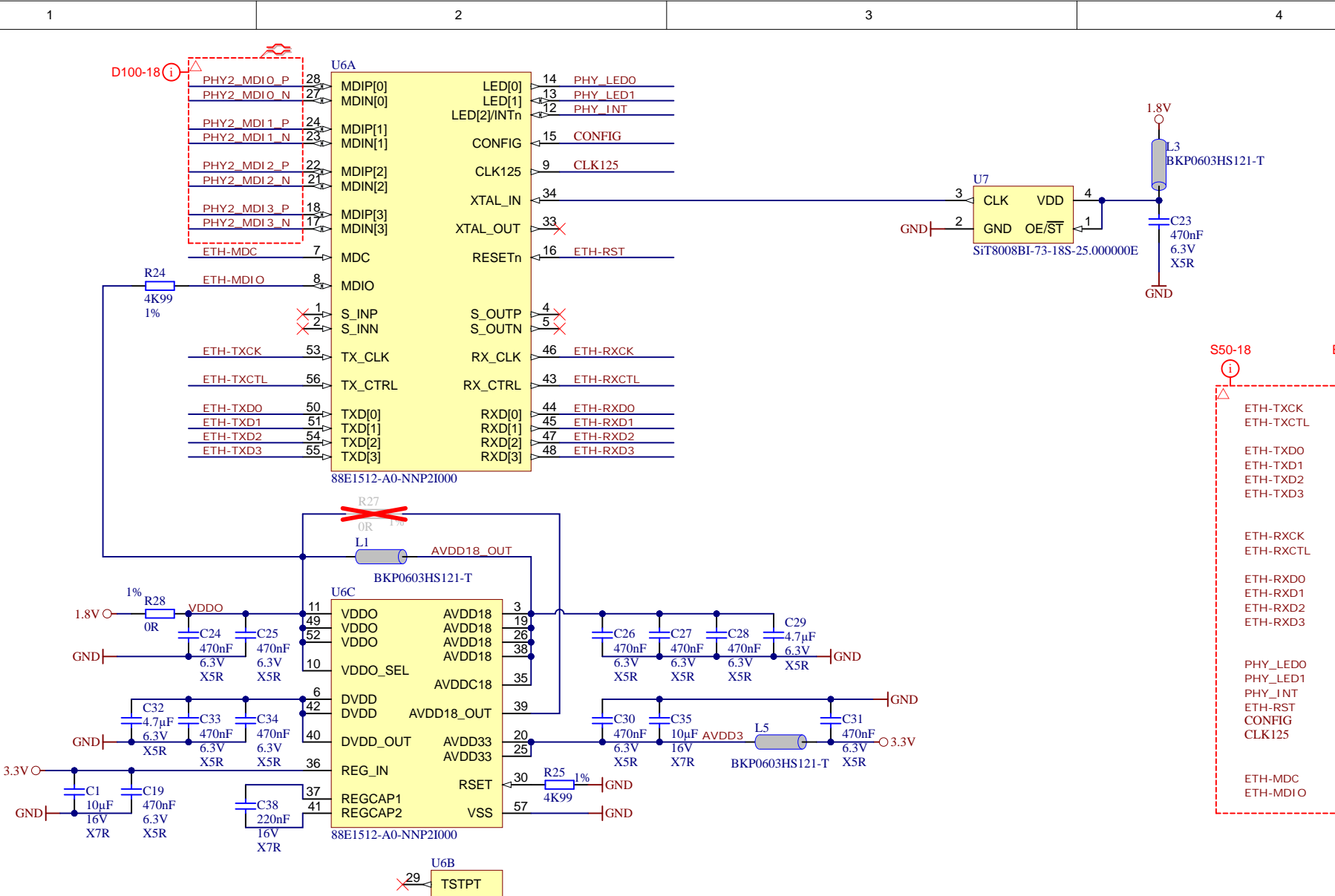
Title: <b>B2B Connector</b>		
A4	Number: <b>TE0706 Default</b>	Rev. <b>03</b>
Date: <b>2018-12-27</b>	Copyright: <b>Trenz Electronic GmbH</b>	Page <b>2</b> of <b>10</b>
Filename: <b>B2B_Connectors.SchDoc</b>		




Title: External Connector		
A4	Number: TE0706 Default	Rev. 03
Date: 2018-12-27	Copyright: Trenz Electronic GmbH	Page3 of 10
Filename: VG_CONN.SchDoc		



Title: Ethernet		
A4	Number: TE0706 Default	Rev. 03
Datum: 2018-12-27	Zeichner: Trenz Electronic GmbH	Blatt 4 von 10
Filename: Ethernet.SchDoc		



			Title: TE0729	
			A4	Number: TE0706 Default
Date: 2018-12-27		Copyright: Trenz Electronic GmbH		Page5 of 10
Filename: ETH-PHY.SchDoc				

1

2

3

4

A

A

B

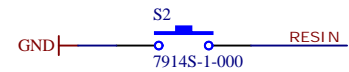
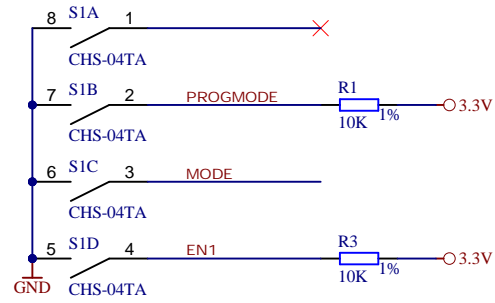
B


C

C

D

D



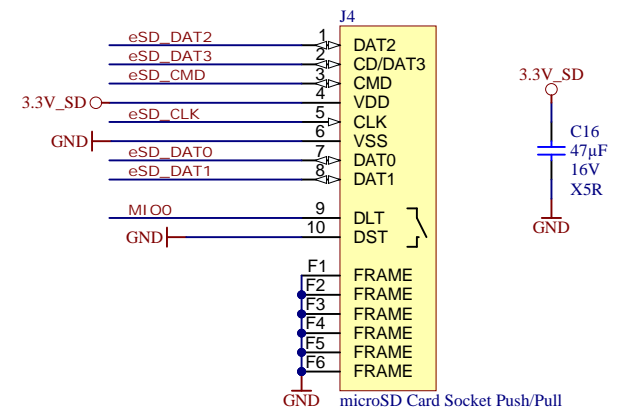
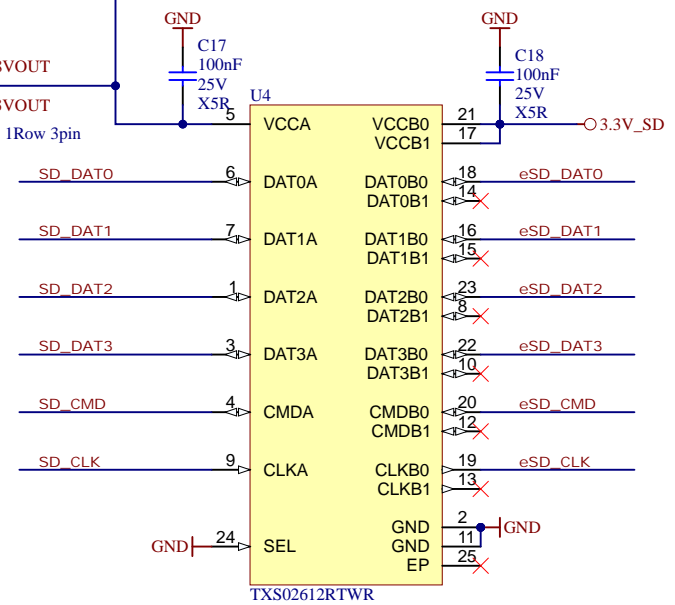
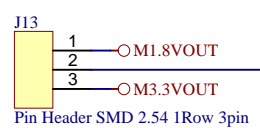
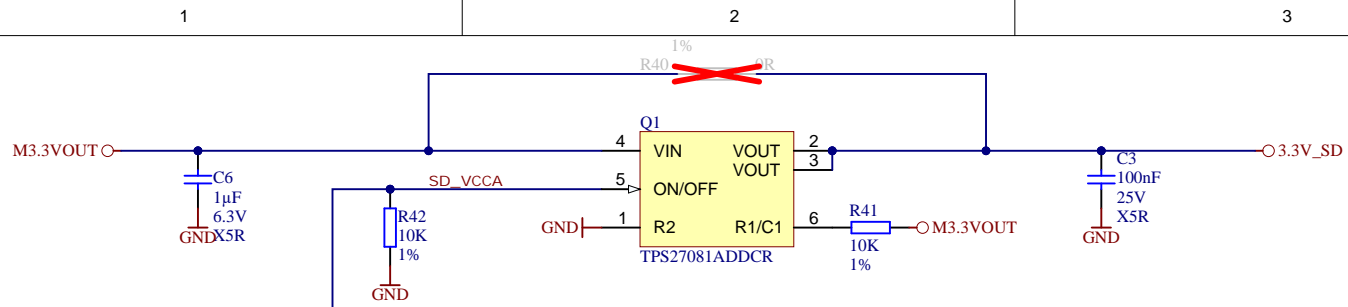
	Title: LED-Switch		
	A4	Number: TE0706 Default	Rev. 03
	Date: 2018-12-27	Copyright: Trenz Electronic GmbH	Page 6 of 10
	Filename: LED_SW_BUT.SchDoc		

1

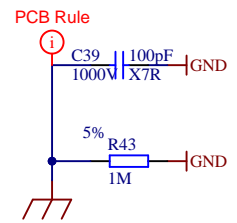
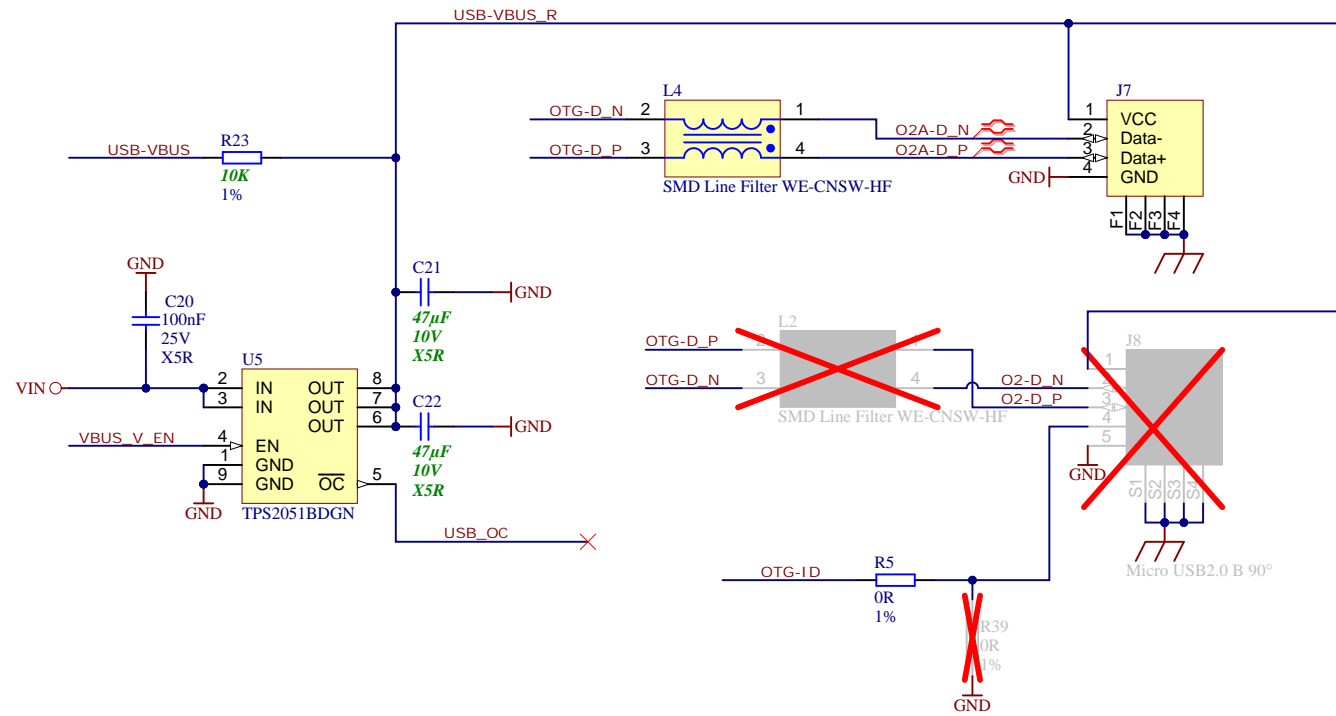
2

3

4

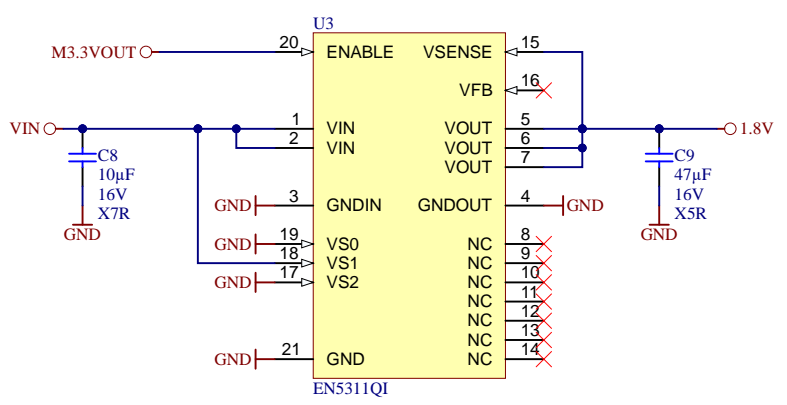
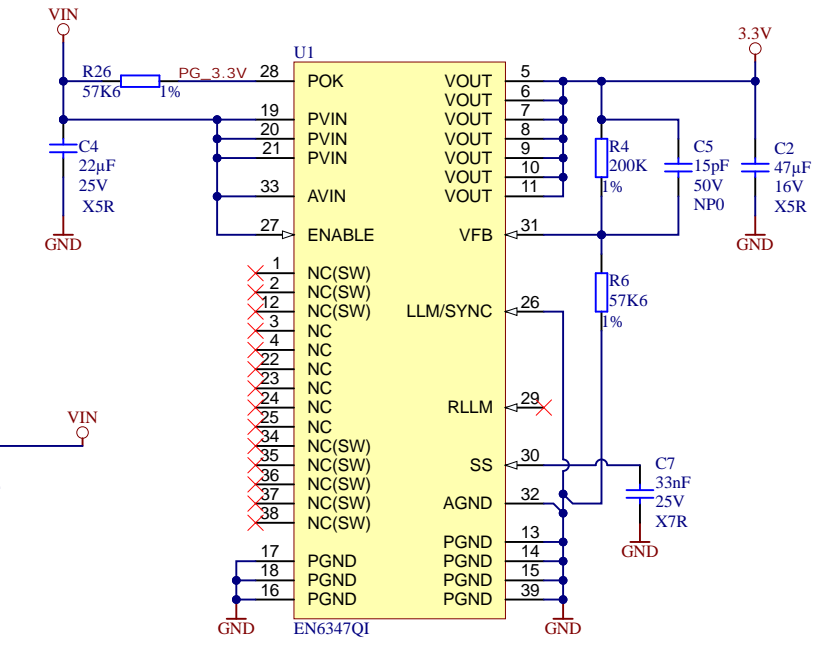
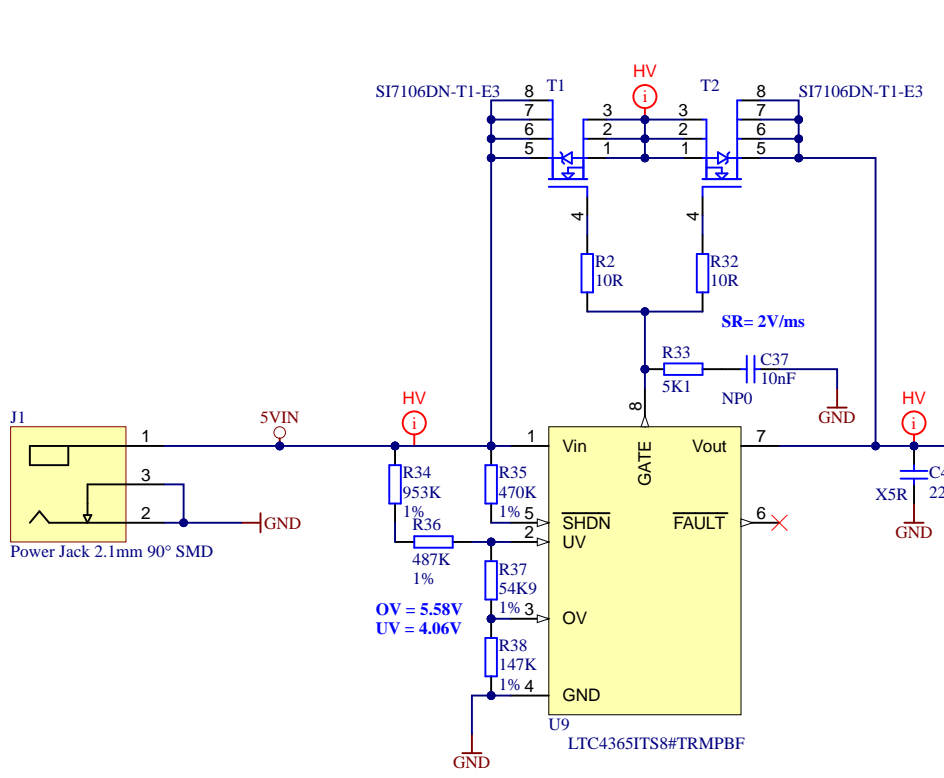


	Title: <b>SD Card</b>		
	A4	Number: <b>TE0706 Default</b>	Rev. <b>03</b>
	Date: <b>2018-12-27</b>	Copyright: <b>Trenz Electronic GmbH</b>	Page <b>7</b> of <b>10</b>
	Filename: <b>SDCard.SchDoc</b>		



	Title: <b>USB</b>	
	A4	Number: <b>TE0706 Default</b>
	Date: <b>2018-12-27</b>	Copyright: <b>Trenz Electronic GmbH</b>
	Filename: <b>USB.SchDoc</b>	
	Rev. <b>03</b>	Page <b>8</b> of <b>10</b>





Title: <b>Power</b>		
A4	Nummer: <b>TE0706 Default</b>	Rev. <b>03</b>
Datum: 2018-12-27	Zeichner: Trenz Electronic GmbH	Blatt 9 von 10
Filename: <b>POWER.SchDoc</b>		

CHANGES REV01 to REV02

- 1) added support for 1.8V IO TE0715-30 (added 3-pin headers for variable voltage banks )
- 2) PWR connector type changed THT->SMD
- 3) swapped xmod RX <->TX
- 4) added 0 ohm to disconnect CLK125 for GT module compatibility
- 5) changed micro-USB
- 6) add ferrite beads L1
- 7) update Razorbeam Connectors, full update lib
- 8) added serial number (traceability pad)
- 9) added thermal vias to mounting holes


23.11.2017:  
 10) U8 MP5010ADQ-LF-Z replaced to MP5010BDQ-LF-Z

CHANGES REV02 to REV03

- 1) microSD card connector (J3) changed to industrial
- 2) changed PB (S2) to industrial
- 3) replaced input power protection
- 4) added jumper (J11) to select SD level shifter voltage on FPGA side
- 5) added power switch for SD level shifter supply voltages to ensure power sequencing of level shifter
- 6) replaced R5 and VBUS capacitors, add 00hm resistors to OTG-ID
- 7) replaced jumpers by SMD versions

2019-08-29  
 8) replaced R34 by 953k and R38 by147k

2022-05-04  
 9) Set S/N Track-it Pad to not fitted (EOL)

	Title: <b>TE0706 - Changes list</b>		
	A4	Number: <b>TE0706 Default</b>	Rev. <b>03</b>
	Date: <b>2018-12-27</b>	Copyright: <b>Trenz Electronic GmbH</b>	Page <b>10</b> of <b>10</b>
	Filename: <b>Revision_Changes.SchDoc</b>		