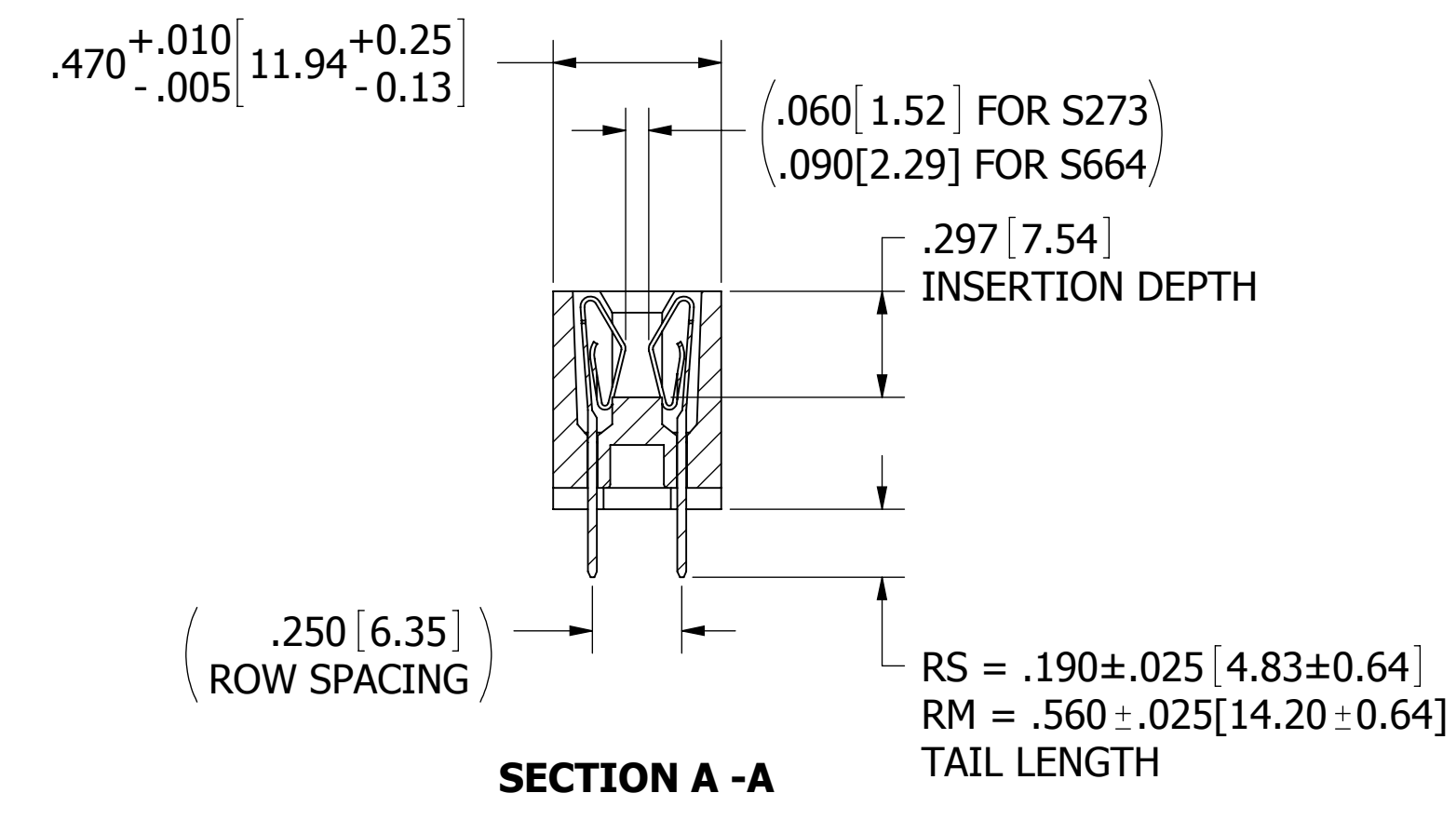
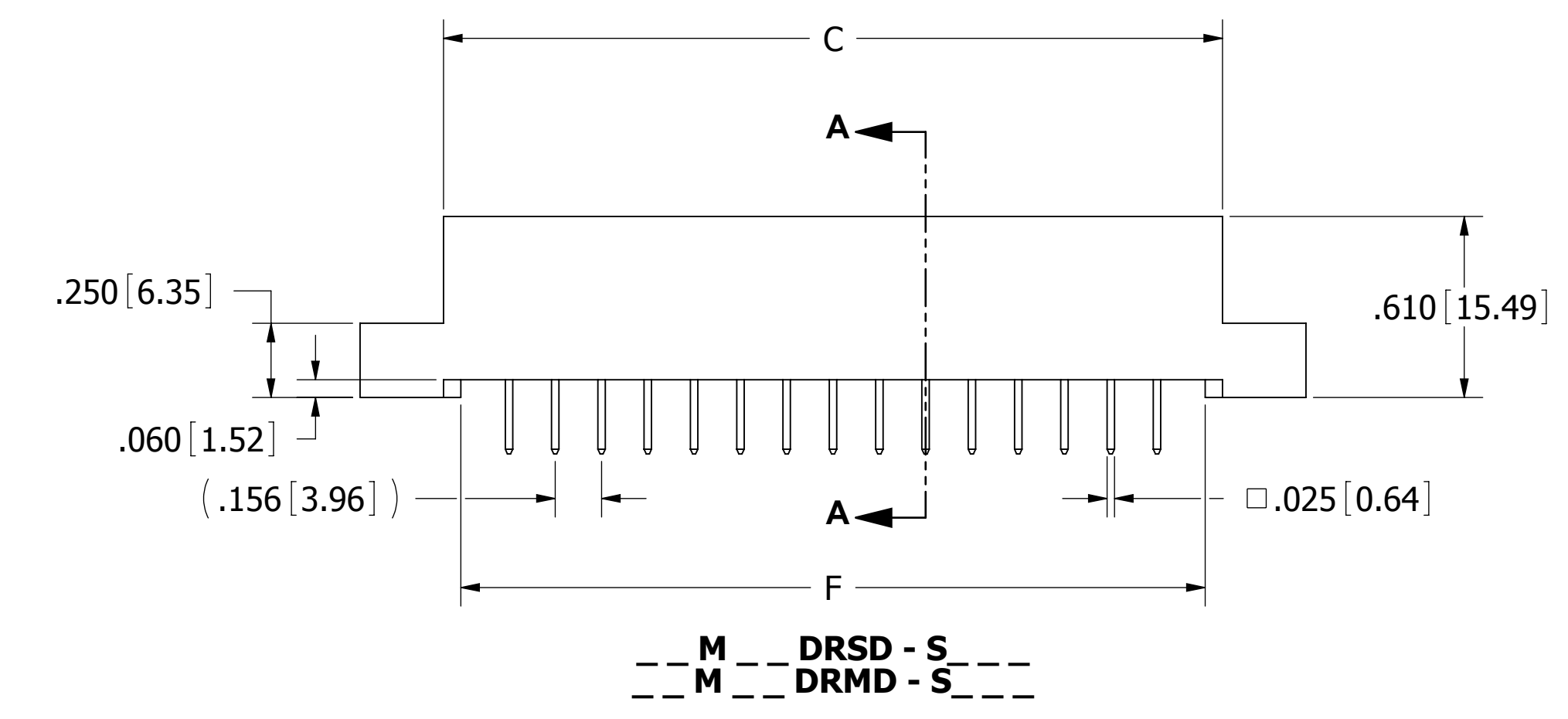
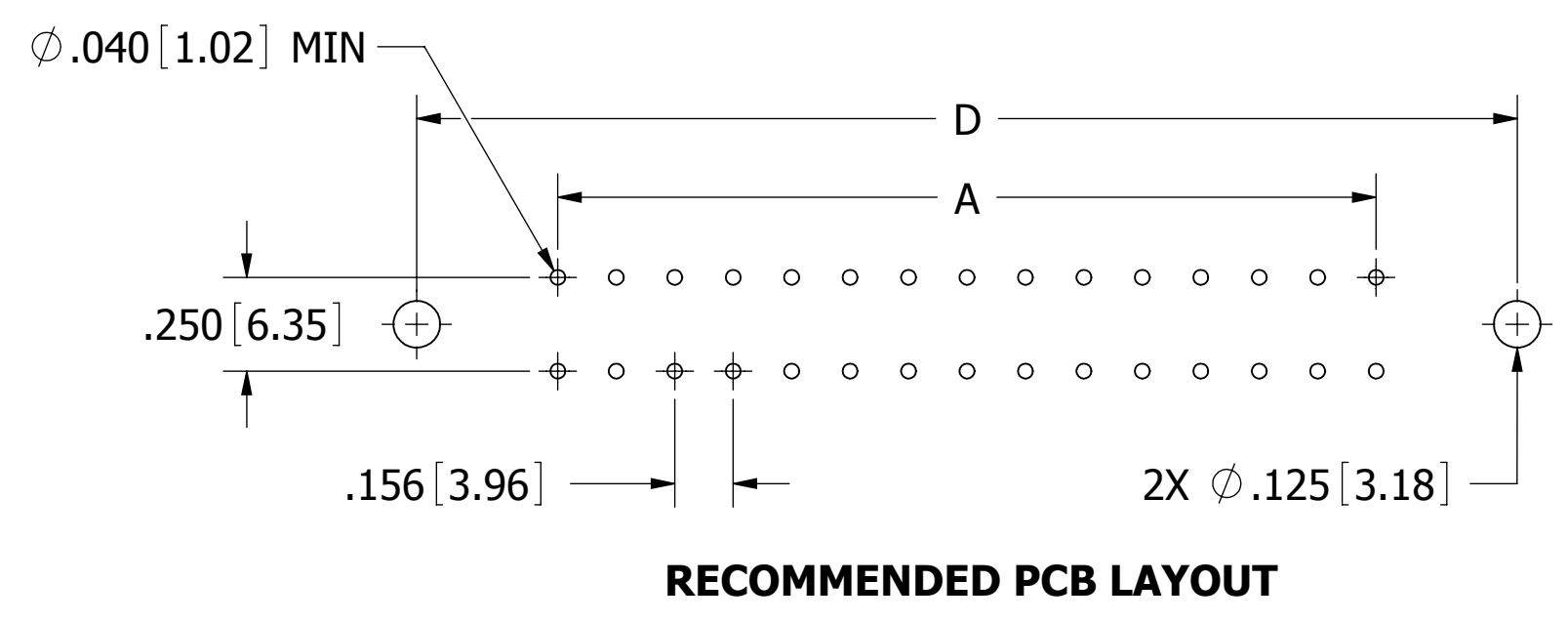
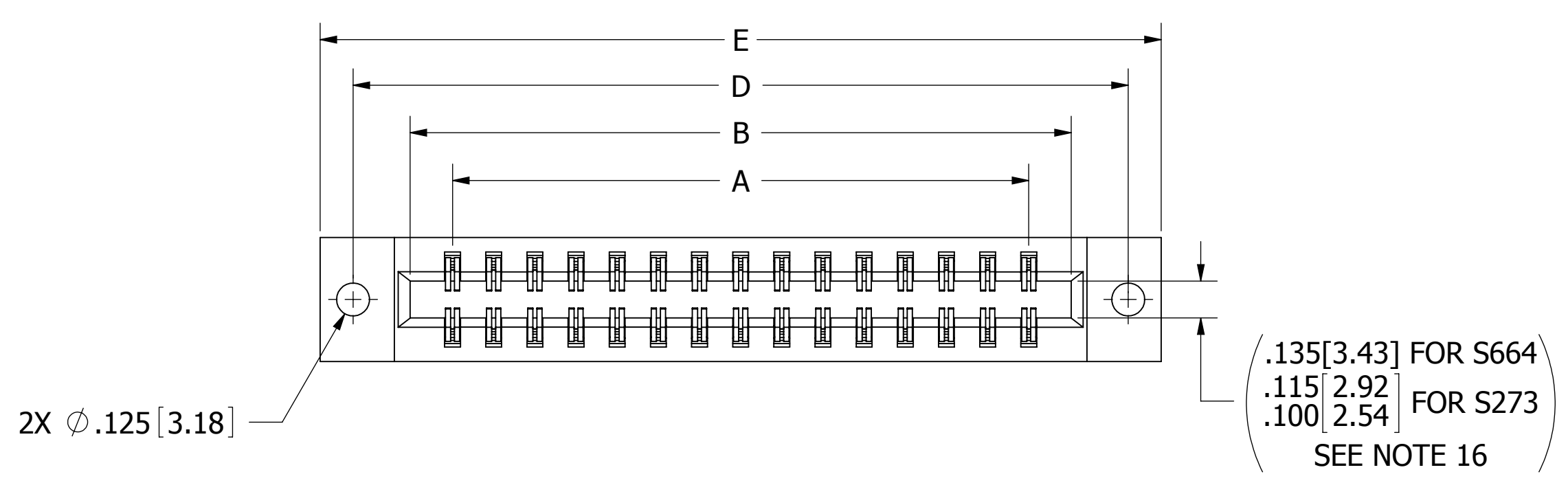


| REVISIONS |         |   |           |        |
|-----------|---------|---|-----------|--------|
| REV.      | ECO. NO | DESCRIPTION   | DATE      | BY     |
| D         | 1951    | ADD RM TERMINATION, ADD 32-POSI. REMOVE * FROM 10 & 15-POSI., UPDATE NOTES 8 & 9. | 4/16/2009 | MNH/JH |
| E         | 2732    | ADDED TOL. TO BODY WIDTH, DIM. TO CONTACT GAP, 'H' MTL & UPDATED DWG FORMAT       | 2/18/2013 | KV     |
| F         | 2941    | ADD 'T' MATERIAL OPTION   | 3/21/2014 | JHSU   |



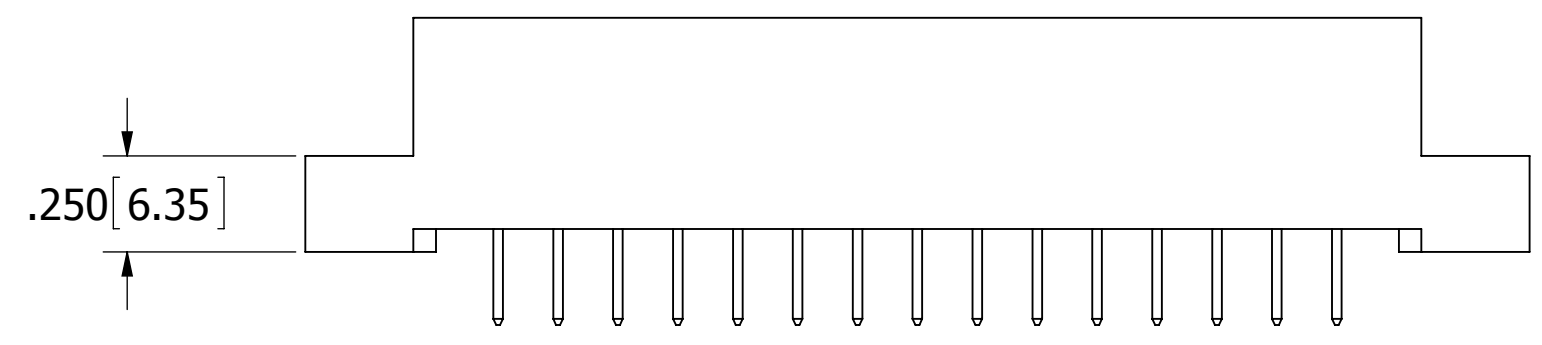
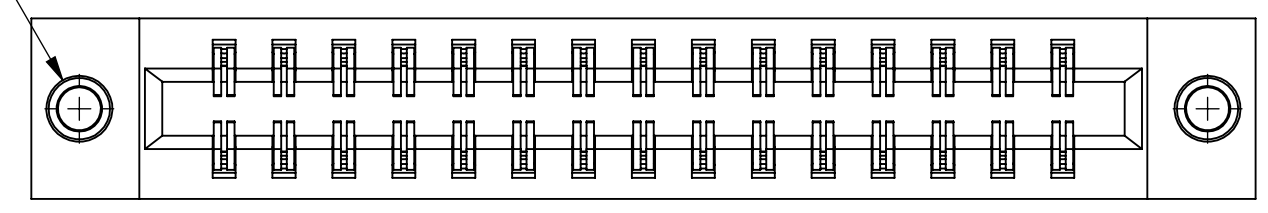
- NOTES:**
- INSULATOR MATERIAL: SEE PART NUMBER CODING
  - CONTACT MATERIAL: SEE PART NUMBER CODING
  - PLATING: SEE PART NUMBER CODING
  - OPERATING TEMPERATURE: SEE PART NUMBER CODING
  - PROCESSING TEMP: SEE PART NUMBER CODING
  - UL FLAMMABILITY RATING: 94V-0
  - OPERATING VOLTAGE: 950 VAC MINIMUM AT SEA LEVEL
  - CURRENT RATING: 3 AMP
  - CONTACT RESISTANCE: 30 MILLI OHMS MAX
  - INSULATION RESISTANCE: 5000 MEGA OHMS
  - DURABILITY: 500 CYCLES MIN
  - CONNECTOR IDENTIFICATION: THE PART SHALL BE MARKED WITH A PART NUMBER AND LOT CODE
  - BOARD THICKNESS ACCOMMODATED: SEE PART NUMBER CODING
  - INSERTION FORCE: S273 = 16 OZ MAX PER CONTACT PAIR WHEN USING A .093 [2.36] TEST BLADE  
S664 = 16 OZ MAX PER CONTACT PAIR WHEN USING A .125 [3.18] TEST BLADE  
INTERNAL INSPECTION TO BE PER SULLIN'S WORK INSTRUCTION WI7.3-01
  - WITHDRAWAL FORCE: S273 = 1 ONCE MINIMUM PER CONTACT PAIR USING .093 [2.36] PCB  
S664 = 1 ONCE MINIMUM PER CONTACT PAIR USING .125 [3.18] PCB
  - MODIFICATION: S273 = HIGH PROFILE CONNECTOR FOR  $.093 \pm .008 [2.36 \pm 0.20]$  PCB  
S664 = HIGH PROFILE CONNECTOR FOR  $.125 \pm .008 [3.18 \pm 0.20]$  PCB



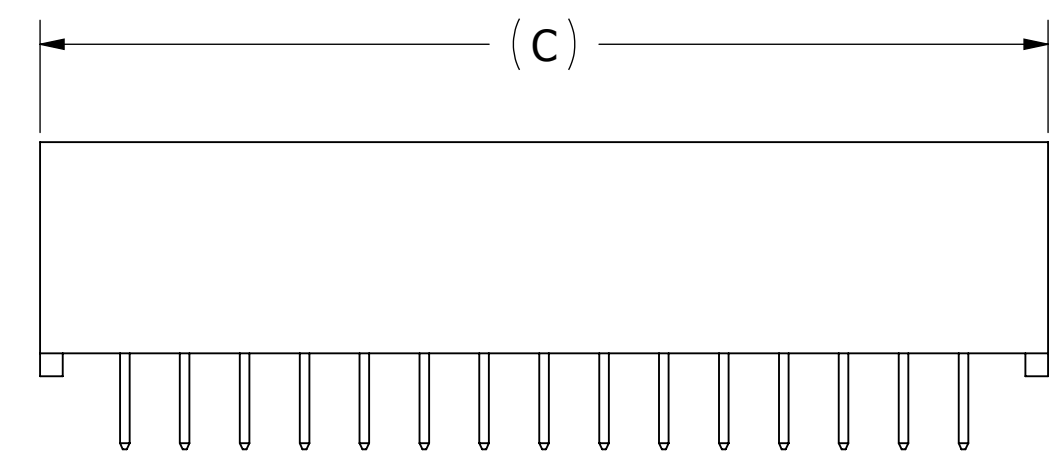
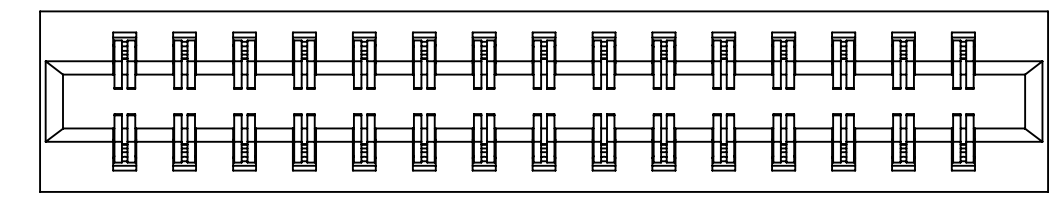
**CUSTOMER COPY**

|   |  |                           |              |  |
|---|--|---------------------------|--------------|--|
| UNLESS OTHERWISE SPECIFIED:<br>DIMENSIONS ARE IN INCHES [MM]  | DRAWN  | DATE                      | NAME         |  |
|   |  | 4/16/09                   | JH           |  |
| TOLERANCES:<br>ANGULAR: $\pm 1^\circ$<br>DECIMALS<br>.XX = $\pm .02 [ .5]$<br>.XXX = $\pm .005 [ .13]$<br>.XXXX = $\pm .0005 [ .013]$ | THE INFORMATION HEREIN CONTAINS PROPRIETARY INFORMATION OF SULLINS ELECTRONICS AND IS NOT TO BE REPRODUCED, USED OR DISCLOSED TO OTHERS FOR ANY PURPOSE EXCEPT AS SPECIFICALLY AUTHORIZED IN WRITING BY AN OFFICER OF SULLINS ELECTRONICS. |                           |              | <b>TITLE</b><br>EDGECARD, .156 CC, .093 & .125 PCB |
|   | <b>PART NUMBER</b><br>_M_ DRS, DRM_-S273, S664   |                           |              |  |
| <b>CAGE CODE</b><br>54453   |  | <b>DWG. NO.</b><br>C10747 |              | <b>REV</b><br>F                                    |
| <b>SCALE:</b> 2:1   |  |                           | SHEET 1 OF 3 |  |

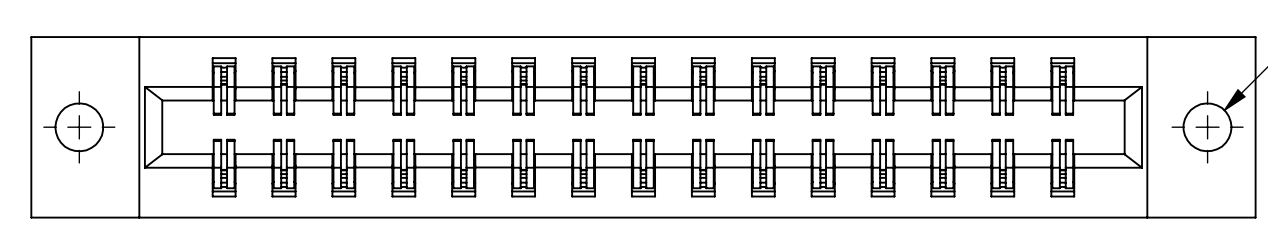
2X #4-40  
THREADED  
INSERTS



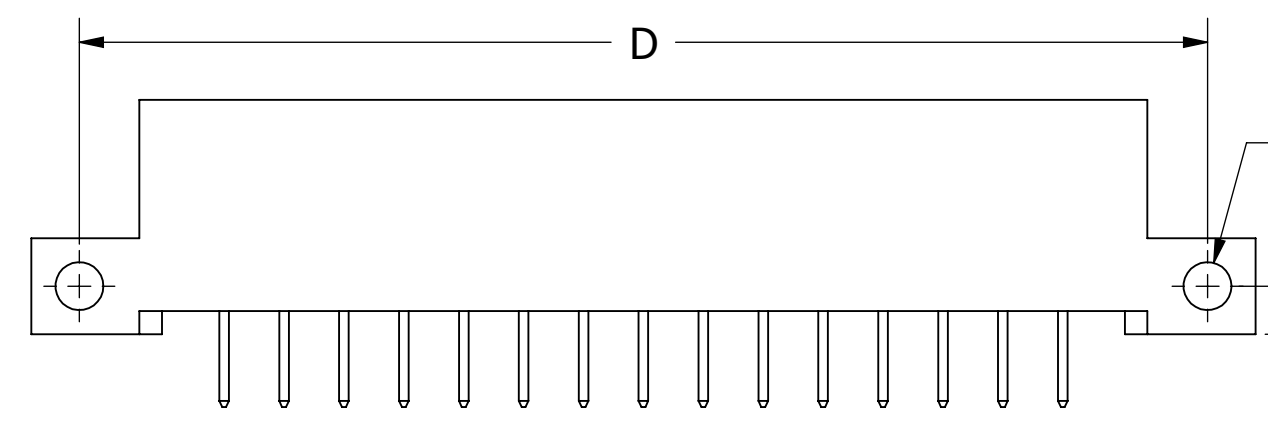
--- M --- DRST - S ---  
--- M --- DRMT - S ---



--- M --- DRSN - S ---  
--- M --- DRMN - S ---



2X  $\phi$ .125 [3.18]



2X  $\phi$ .125 [3.18]

.125 [3.18]

--- M --- DRSZ - S ---  
--- M --- DRMZ - S ---

# CUSTOMER COPY



UNLESS OTHERWISE SPECIFIED:  
DIMENSIONS ARE IN INCHES [MM]

TOLERANCES:  
ANGULAR:  $\pm 1^\circ$

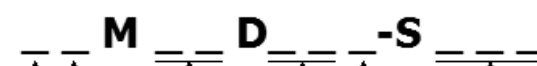
DECIMALS  
.XX =  $\pm .02$  [.5]  
.XXX =  $\pm .005$  [.13]  
.XXXX =  $\pm .0005$  [.013]

|   |         |      |
|---|---------|------|
| DRAWN   | DATE    | NAME |
|   | 4/16/09 | JH   |
| <small>THE INFORMATION HEREIN CONTAINS PROPRIETARY INFORMATION OF SULLINS ELECTRONICS AND IS NOT TO BE REPRODUCED, USED OR DISCLOSED TO OTHERS FOR ANY PURPOSE EXCEPT AS SPECIFICALLY AUTHORIZED IN WRITING BY AN OFFICER OF SULLINS ELECTRONICS.</small> |         |      |
|   |         |      |

|  |           |          |              |
|--|-----------|----------|--------------|
|  |           |          |              |
| <b>TITLE</b><br>EDGECARD, .156 CC, .093 & .125 PCB |           |          |              |
| <b>PART NUMBER</b><br>_M_ DRS, DRM_-S273, S664     |           |          |              |
| SIZE   | CAGE CODE | DWG. NO. | REV          |
| C  | 54453     | C10747   | F            |
| SCALE: 2:1   |           |          | SHEET 2 OF 3 |

| PART NUMBER | NO. OF POS. | DIMENSIONS   |        |              |        |              |        |              |        |              |        |              |        |
|-------------|-------------|--------------|--------|--------------|--------|--------------|--------|--------------|--------|--------------|--------|--------------|--------|
|             |             | A±.008[0.20] |        | B±.008[0.20] |        | C±.015[0.38] |        | D±.010[0.25] |        | E±.020[0.51] |        | F±.015[0.38] |        |
|             |             | IN           | MM     | IN           | MM     | IN           | MM     | IN           | MM     | IN           | MM     | IN           | MM     |
| M06D -S     | 6           | 0.780        | 19.81  | 1.102        | 27.99  | 1.221        | 31.01  | 1.534        | 38.96  | 1.784        | 45.31  | 1.104        | 28.04  |
| M08D -S     | 8           | 1.092        | 27.74  | 1.414        | 35.92  | 1.533        | 38.94  | 1.846        | 46.89  | 2.096        | 53.24  | 1.416        | 35.97  |
| M10D -S     | 10          | 1.404        | 35.66  | 1.726        | 43.84  | 1.845        | 46.86  | 2.158        | 54.81  | 2.408        | 61.16  | 1.728        | 43.89  |
| M12D -S     | 12          | 1.716        | 43.59  | 2.038        | 51.77  | 2.157        | 54.79  | 2.470        | 62.74  | 2.720        | 69.09  | 2.040        | 51.82  |
| M15D -S     | 15          | 2.184        | 55.47  | 2.506        | 63.65  | 2.625        | 66.68  | 2.938        | 74.63  | 3.188        | 80.98  | 2.508        | 63.70  |
| M18D -S     | 18          | 2.652        | 67.36  | 2.974        | 75.54  | 3.093        | 78.56  | 3.406        | 86.51  | 3.656        | 92.86  | 2.976        | 75.59  |
| M20D -S     | 20          | 2.964        | 75.29  | 3.286        | 83.46  | 3.405        | 86.49  | 3.718        | 94.44  | 3.968        | 100.79 | 3.288        | 83.52  |
| M22D -S     | 22          | 3.276        | 83.21  | 3.598        | 91.39  | 3.717        | 94.41  | 4.030        | 102.36 | 4.280        | 108.71 | 3.600        | 91.44  |
| M24D -S     | 24          | 3.588        | 91.14  | 3.910        | 99.31  | 4.029        | 102.34 | 4.342        | 110.29 | 4.592        | 116.64 | 3.912        | 99.36  |
| M25D -S     | 25          | 3.744        | 95.10  | 4.066        | 103.28 | 4.185        | 106.30 | 4.498        | 114.25 | 4.748        | 120.60 | 4.068        | 103.33 |
| M28D -S     | 28          | 4.212        | 106.98 | 4.534        | 115.16 | 4.653        | 118.19 | 4.966        | 126.14 | 5.216        | 132.49 | 4.536        | 115.21 |
| M30D -S     | 30          | 4.524        | 114.91 | 4.846        | 123.09 | 4.965        | 126.11 | 5.278        | 134.06 | 5.528        | 140.41 | 4.848        | 123.14 |
| M31D -S     | 31          | 4.680        | 118.87 | 5.002        | 127.05 | 5.121        | 130.07 | 5.434        | 138.02 | 5.684        | 144.37 | 5.004        | 127.10 |
| M32D -S     | 32          | 4.836        | 122.83 | 5.158        | 131.01 | 5.277        | 134.04 | 5.590        | 141.99 | 5.840        | 148.34 | 5.160        | 131.06 |
| M36D -S     | 36          | 5.460        | 138.68 | 5.782        | 146.86 | 5.901        | 149.89 | 6.214        | 157.84 | 6.464        | 164.19 | 5.784        | 146.91 |
| M40D -S     | 40          | 6.084        | 154.53 | 6.406        | 162.71 | 6.525        | 165.74 | 6.838        | 173.69 | 7.088        | 180.04 | 6.408        | 162.76 |
| M43D -S     | 43          | 6.552        | 166.42 | 6.874        | 174.60 | 6.993        | 177.62 | 7.306        | 185.57 | 7.556        | 191.92 | 6.876        | 174.65 |

**PART NUMBER CODING**



**MATERIALS (INSULATOR / CONTACT)**

- E = PBT/PHOSPHOR BRONZE**  
OPERATING TEMP: -65°C TO +125°C  
PROCESSING TEMP: WAVE ONLY
- R = PPS/PHOSPHOR BRONZE**  
OPERATING TEMP: -65°C TO +125°C  
PROCESSING TEMP: 260°C MAX FOR 20 SECS
- G = PA9T/PHOSPHOR BRONZE**  
OPERATING TEMP: -65°C TO +125°C  
PROCESSING TEMP: 260°C MAX FOR 20 SECS
- H = PBT/BERYLLIUM COPPER**  
OPERATING TEMP: -65°C TO +125°C  
PROCESSING TEMP: WAVE ONLY
- A = PPS/BERYLLIUM COPPER**  
OPERATING TEMP: -65°C TO +150°C  
PROCESSING TEMP: 260°C MAX FOR 20 SECS
- J = PA9T/BERYLLIUM COPPER**  
OPERATING TEMP: -65°C TO +150°C  
PROCESSING TEMP: 260°C MAX FOR 20 SECS
- T = PPS/BERYLLIUM COPPER (HEAT TREATED)**  
OPERATING TEMP: -65°C TO +175°C  
PROCESSING TEMP: 260°C MAX FOR 20 SECS  
(CONSULT FACTORY FOR OTHER MATERIALS)

**MODIFICATION CODE**

- S273 = FOR .093±.008[2.36±0.20] THICK MATING PCB
- S664 = FOR .125±.008[3.18±0.20] THICK MATING PCB

**MOUNTING STYLE**

- N = NO MOUNTING EARS (PAGE 2)
- D = FLUSH MOUNTING (PAGE 1)
- T = FLUSH MOUNTING WITH # 4-40 THREADED INSERT (PAGE 2)
- Z = FLUSH MOUNTING WITH SIDE HOLES (PAGE 2)

**TERMINATION**

- RS = .190[4.83] TAIL LENGTH
- RM = .560[14.20] TAIL LENGTH

**NUMBER OF POSITIONS (CONTACTS PER ROW)**

**PLATING**

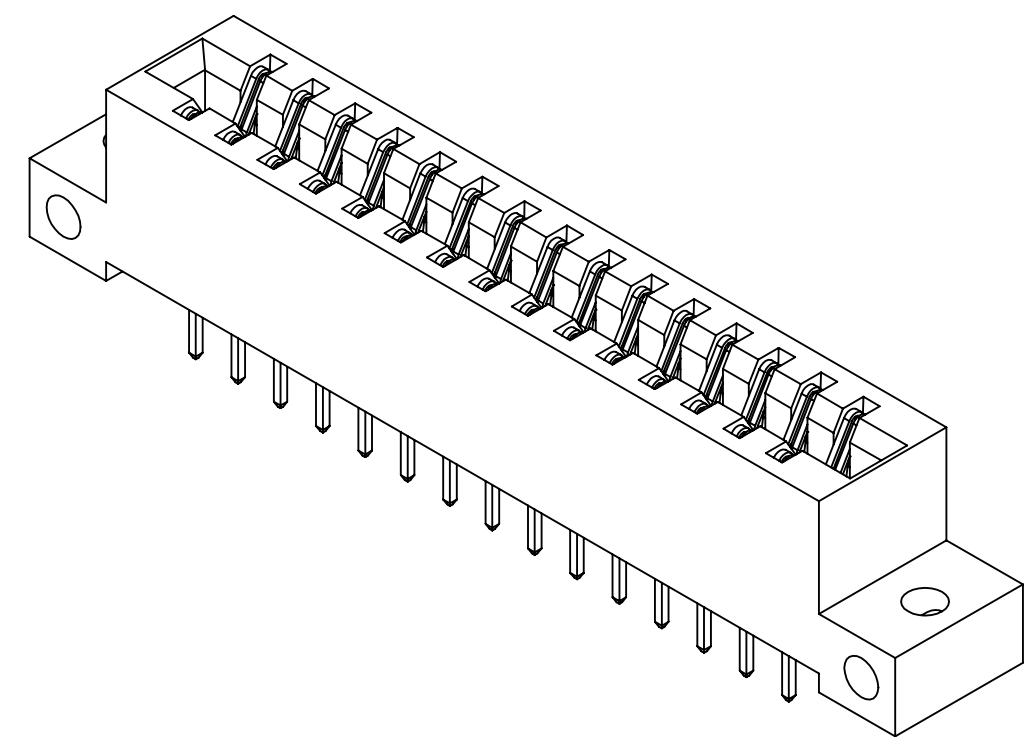
ALL PLATINGS ARE LEAD FREE AND HAVE .000050" NICKEL UNDERPLATE

**CONTACT SURFACE**

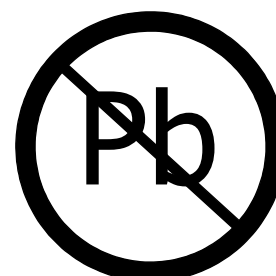
- B = .000010" GOLD
- C = .000030" GOLD
- G = .000010" GOLD
- Y = .000030" GOLD
- S = .000010" GOLD OVERALL
- M = .000030" GOLD
- \*E = .000100" PURE TIN, MATTE, OVERALL
- \* OVERALL TIN ONLY AVAILABLE ON MATERIAL CODES E, R AND G

**TERMINATION**

- .000100" PURE TIN, MATTE
- .000100" PURE TIN, MATTE
- .000005" GOLD
- .000005" GOLD
- .000010" GOLD OVERALL



**CUSTOMER COPY**



UNLESS OTHERWISE SPECIFIED: DIMENSIONS ARE IN INCHES [MM]

TOLERANCES:

ANGULAR: ± 1°

DECIMALS  
 .XX = ± .02 [.5]  
 .XXX = ± .005 [0.13]  
 .XXXX = ± .0005 [0.13]

| DRAWN | DATE    | NAME |
|-------|---------|------|
|       | 4/16/09 | JH   |

THE INFORMATION HEREIN CONTAINS PROPRIETARY INFORMATION OF SULLINS ELECTRONICS AND IS NOT TO BE REPRODUCED, USED OR DISCLOSED TO OTHERS FOR ANY PURPOSE EXCEPT AS SPECIFICALLY AUTHORIZED IN WRITING BY AN OFFICER OF SULLINS ELECTRONICS.



TITLE: EDGECARD, .156 CC, .093 & .125 PCB

PART NUMBER: M\_DRS, DRM\_-S273, S664

| SIZE | CAGE CODE | DWG. NO. | REV |
|------|-----------|----------|-----|
| C    | 54453     | C10747   | F   |

SCALE: 2:1 SHEET 3 OF 3