

4

3

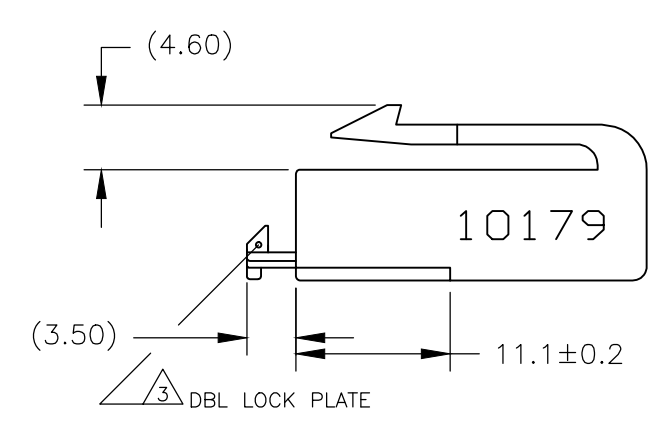
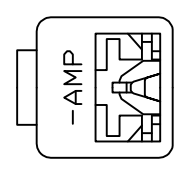
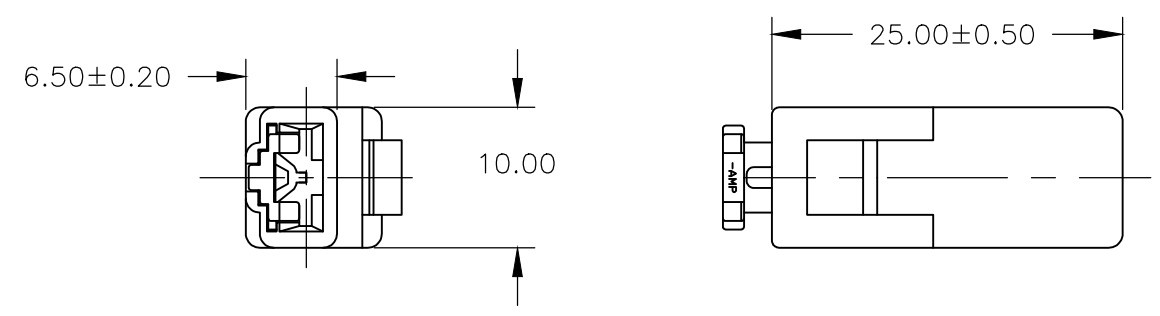
2

1

THIS DRAWING IS UNPUBLISHED. RELEASED FOR PUBLICATION  
 © COPYRIGHT - By - ALL RIGHTS RESERVED.

REVISIONS				
P	LTR	DESCRIPTION	DATE	APVD
	A	REVISED PER ECR-15-016346	11MAY2016	NK LP

- 1 THE MATING COUNTER PART P/N (172127 etc.)
- 2 APPLIED CONTACT (170032,170258,170384)
- 3 DBL LOCK PLATE  
MATERIAL: PBT  
COLOR ; YELLOW



COLOR	P/N	COLOR
6-176986-6	(LIGHT GRAY)	
176986-6	(GRAY)	
176986-5	(BLUE)	
OBSOLETE 176986-4	(GREEN)	
OBSOLETE 176986-3	(BROWN)	
176986-2	(BLACK)	
176986-1	(NATURAL)	
SEE TABLE	(P/N)	(COLOR)

THIS DRAWING IS A CONTROLLED DOCUMENT.		DWN <i>T. Sogawa</i> 17SEP1990	TE Connectivity		
DIMENSIONS: mm		CHK <i>M. Sakuma</i> 17SEP1990			
TOLERANCES UNLESS OTHERWISE SPECIFIED:		APVD <i>H. Matsushita</i> 17SEP1990	NAME .250 SERIES DOUBLE LOCK CONNECTOR 1 POS. PLUG HOUSING		
0 PLC ± - 1 PLC ± 0.2 2 PLC ± 0.25 3 PLC ± 0.3 4 PLC ± - ANGLES ± 3°		PRODUCT SPEC -	SIZE CAGE CODE DRAWING NO RESTRICTED TO		
MATERIAL 6/6 NYLON		APPLICATION SPEC -	A3 00779 C-176986		
FINISH -		WEIGHT -	CUSTOMER DRAWING SCALE 2:1 SHEET 1 OF 1 REV A		