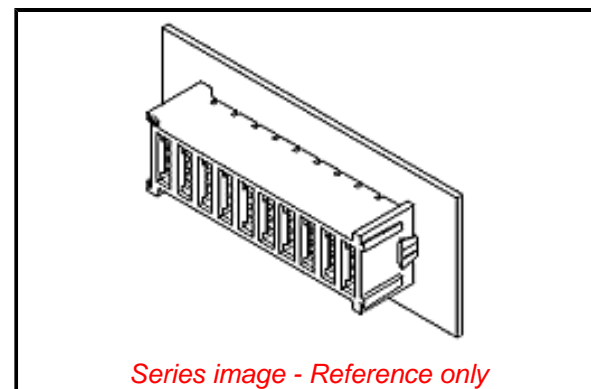


**PLEASE CHECK WWW.MOLEX.COM FOR LATEST PART INFORMATION**

**Part Number:** [0465629002](#)  
**Status:** **Active**  
**Overview:** [EXTreme Ten60Power High-Current Connector](#)  
**Description:** 5.50mm Pitch EXTreme Ten60Power Vertical Receptacle Assembly, 2 Power Circuits

**Documents:**

<a href="#">3D Model</a>	<a href="#">Packaging Specification PK-46562-001-000 (PDF)</a>
<a href="#">Drawing (PDF)</a>	<a href="#">Test Summary 464361000-TS-000 (PDF)</a>
<a href="#">3D Model (PDF)</a>	<a href="#">Datasheet (PDF)</a>
<a href="#">Product Specification PS-46436-100-001 (PDF)</a>	<a href="#">RoHS Certificate of Compliance (PDF)</a>
<a href="#">Application Specification AS-46436-100-001 (PDF)</a>	



**Agency Certification**

CSA	LR19980
UL	E29179

**Application tooling part link**

Application Tooling Part Link	62100-7900
-------------------------------	------------

**General**

Product Family	PCB Receptacles
Series	<a href="#">46562</a>
Application	Board-to-Board, Power
Comments	See PS-46436-100 for details
Overview	<a href="#">EXTreme Ten60Power High-Current Connector</a>
Product Name	EXTreme Ten60Power
UPC	884982231900

**Physical**

(p)ower-(s)ignal Configuration	2p - 0s
Circuits (Loaded)	2
Circuits (maximum)	2
Color - Resin	Black
Durability (mating cycles max)	200
Flammability	94V-0
Glow-Wire Capable	No
Guide to Mating Part	No
Keying to Mating Part	None
Lock to Mating Part	No
Material - Metal	Copper
Material - Plating Mating	Gold
Material - Plating Termination	Tin
Material - Resin	High Temperature Thermoplastic
Net Weight	4.698/g
Number of Rows	1
Orientation	Vertical
PCB Locator	No
PCB Retention	None
PCB Thickness - Recommended	1.58mm
Packaging Type	Tray
Pitch - Mating Interface	5.50mm
Plating min - Mating	0.127µm
Plating min - Termination	2.540µm
Polarized to Mating Part	Yes
Polarized to PCB	Yes
Stackable	No
Surface Mount Compatible (SMC)	No

**EU ELV**

**Not Relevant**

**EU RoHS**

**Compliant**

**REACH SVHC**

Not Contained Per -  
D(2021)4569-DC (8  
July 2021)

**Halogen-Free**

**Status**

**Low-Halogen**

For more information, please visit [Contact US](#)

China ROHS

ELV

RoHS Phthalates

**China RoHS**

Green Image

Not Relevant

Not Contained

**Search Parts in this Series**

[46562](#) Series

**Mates With**

[46437](#) EXTreme Ten60Power Right Angle Plug Assembly

**Application Tooling | FAQ**

*Tooling specifications and manuals are found by selecting the products below. Crimp Height Specifications are then contained in the Application Tooling Specification document.*

**Global**

**Description**

**Product #**

Removal Tool  
for Ten60 Power  
Receptacle  
Terminals

[621007900](#)

Temperature Range - Operating -40° to +105°C  
Termination Interface: Style Through Hole - Compliant Pin

**Electrical**

Current - Maximum per Contact 2.5A, 55.0A  
Grounding to PCB No  
Voltage - Maximum 600V AC / 250V DC

**Solder Process Data**

Duration at Max. Process Temperature (seconds) 040  
Lead-freeProcess Capability SMC&WAVE  
Max. Cycles at Max. Process Temperature 003  
Process Temperature max. C 260

**Material Info**

**Reference - Drawing Numbers**

Application Specification AS-46436-100-001  
Packaging Specification PK-46562-001-000  
Product Specification PS-46436-100-001  
Sales Drawing SD-46562-9000-001  
Test Summary 464361000-TS-000

This document was generated on 10/05/2021

**PLEASE CHECK [WWW.MOLEX.COM](http://WWW.MOLEX.COM) FOR LATEST PART INFORMATION**