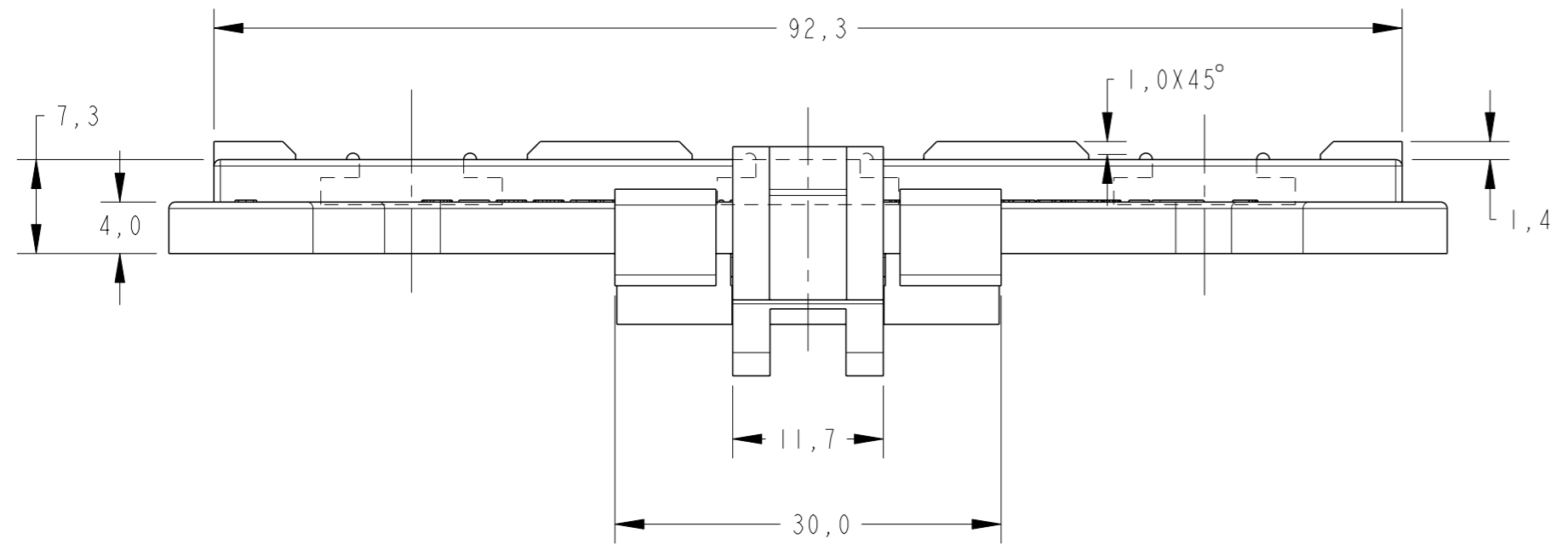
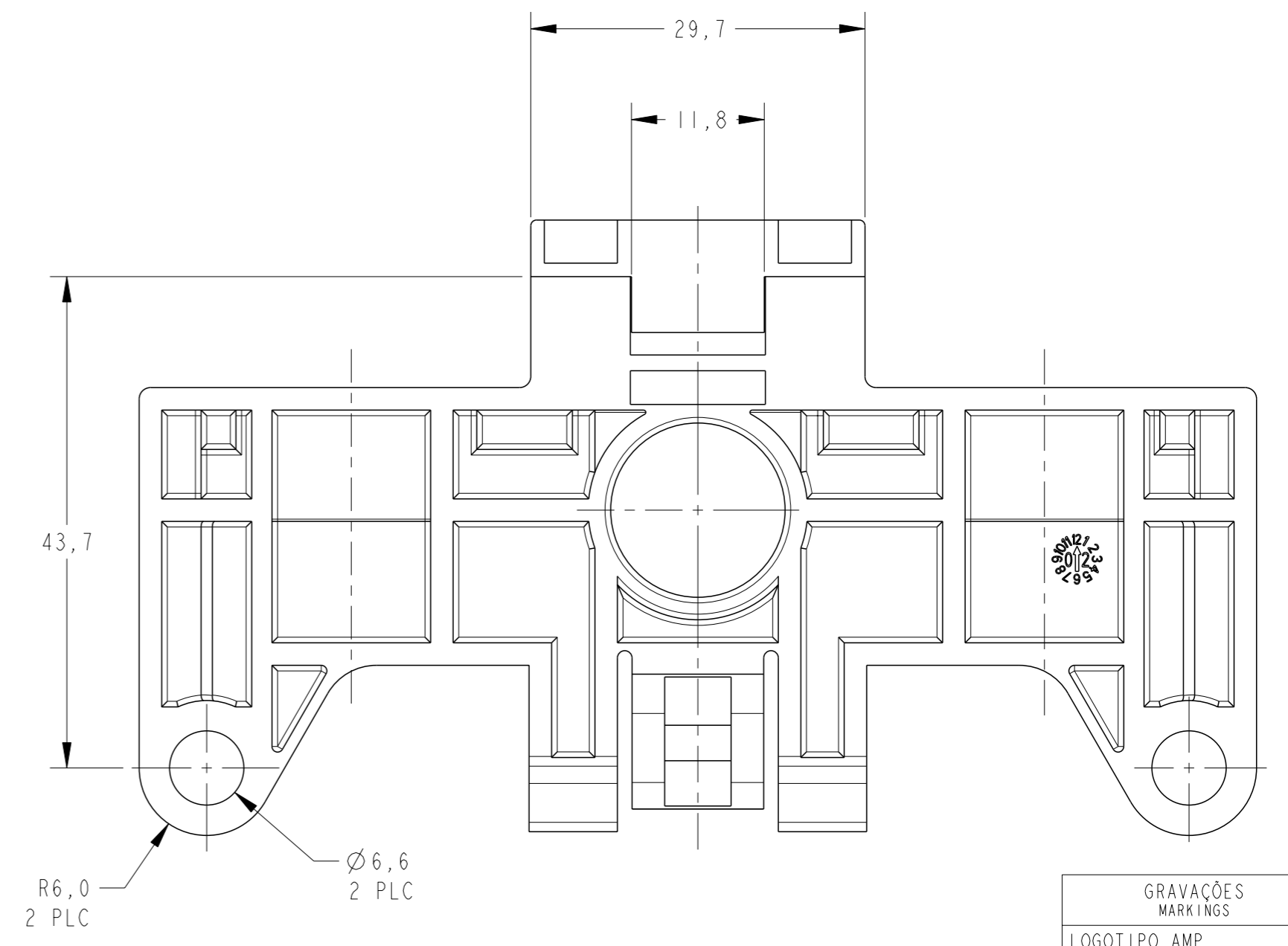
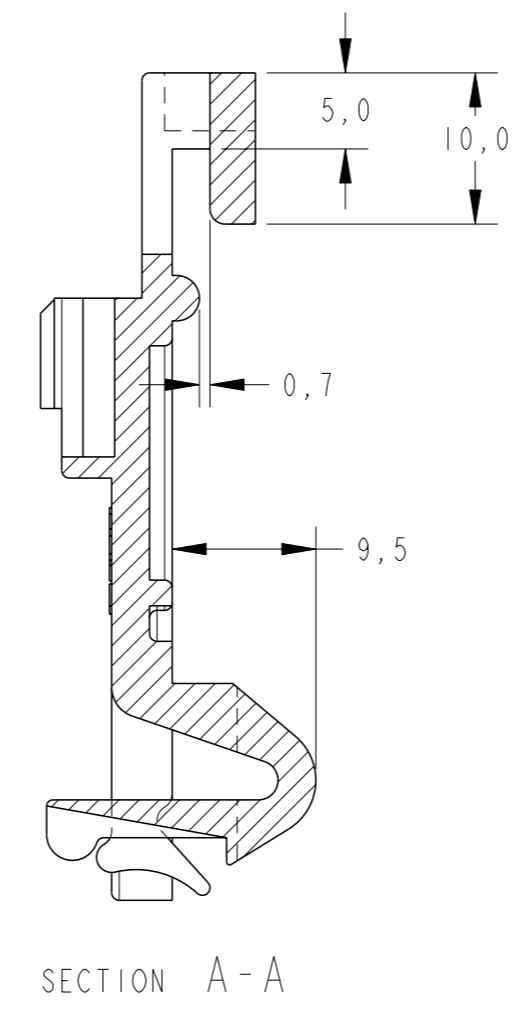
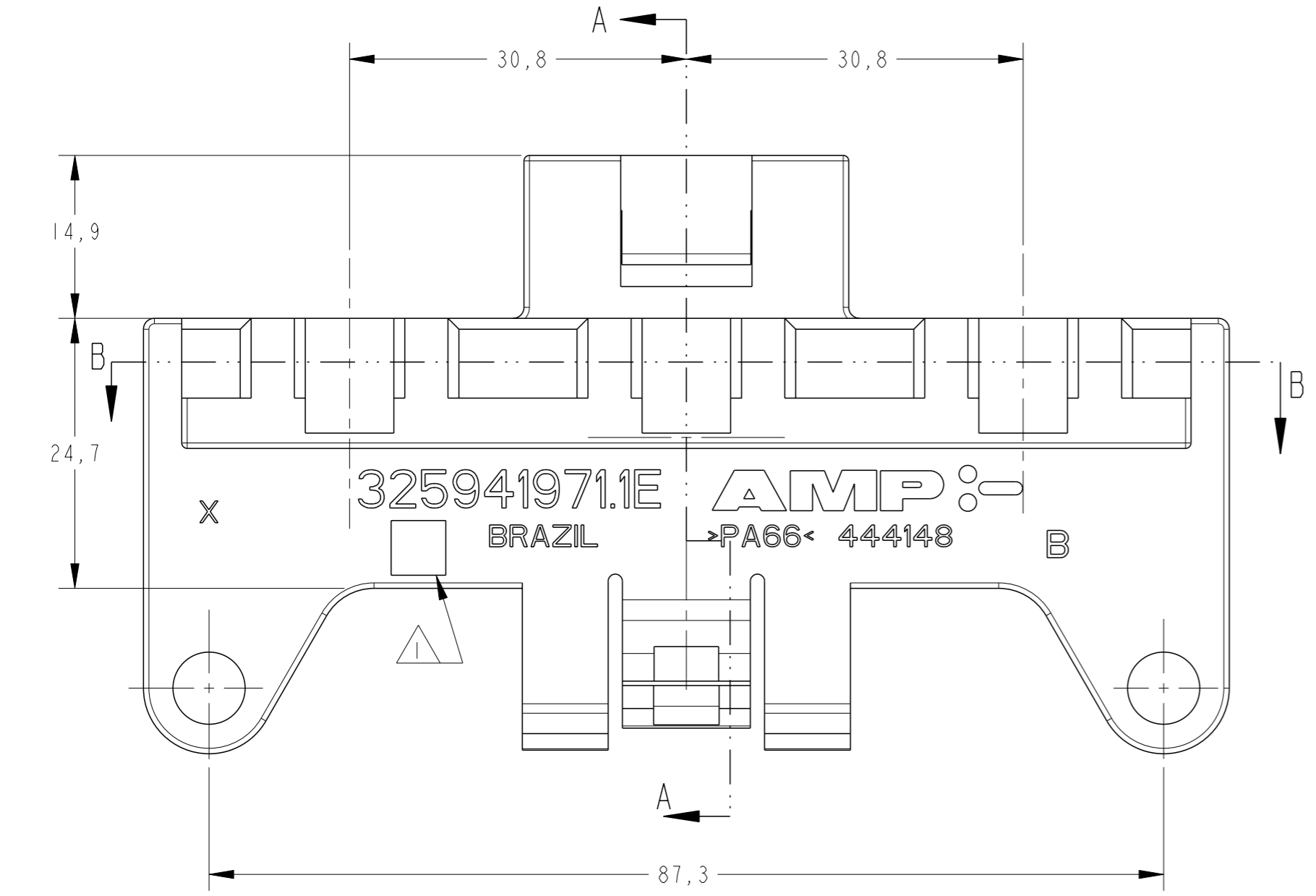
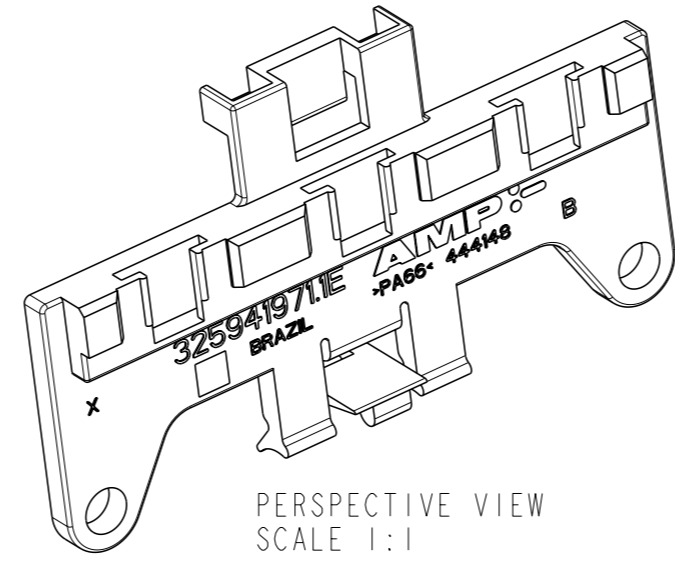
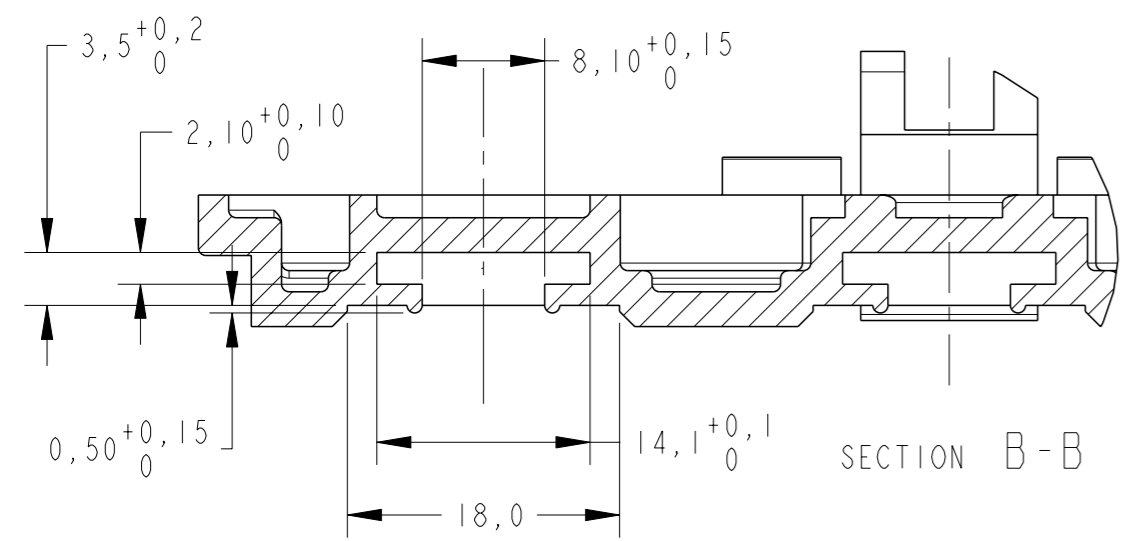


THIS DRAWING IS UNPUBLISHED. RELEASED FOR PUBLICATION 10
 © COPYRIGHT 10 ALL RIGHTS RESERVED.

← MANUFACTURING CRITICAL POINT
 SPECIFICATION CLASSIFICATION
 ■ CRITICAL □ MAJOR
 □ MINOR

LOC AP DIST -

REVISIONS					
P	LTR	DESCRIPTION	DATE	DWN	APVD
A1		REDRAWN BY ECO-07-018963	28AUG2007	EL	MR
A2		REVISED BY ECO-11-014014	11JUL2011	PP	GO



GRAVAÇÕES MARKINGS
LOGOTIPO AMP AMP LOGO
CÓDIGO PAÍS PRODUTOR MANUFACTURER COUNTRY CODE
NOMENCLATURA MATERIAL MATERIAL NOMENCLATURE
NÚMERO COMPONENTE COMPONENT NUMBER
NÚMERO CAVIDADE CAVITY NUMBER
PAÍS PRODUTOR MANUFACTURER COUNTRY
LOGOTIPO AUTOLATINA AUTOLATINA LOGO
NÚMERO AUTOLATINA AUTOLATINA NUMBER
CÓDIGO DATADOR ANO/MÊS DATE CODE YEAR/MONTH

RAW MATERIAL No.	BLACK/PRETO	PA 6.6	444148-1
	FINISH	MATERIAL	PART NUMBER

THIS DRAWING IS A CONTROLLED DOCUMENT.		DWN E. LOPES 11JUL2007	TE Connectivity RELAY ADAPTOR, 3 POSN.			
DIMENSIONS: mm		CHK M. RODRIGUES 11JUL2007				
TOLERANCES UNLESS OTHERWISE SPECIFIED:		APVD L. W. PRADO 11JUL2007				
0 PLC ± 1 PLC ±0,3 2 PLC ± 3 PLC ± 4 PLC ± ANGLES ±° FINISH		NAME				
MATERIAL SEE TABLE	PRODUCT SPEC	APPLICATION SPEC	SIZE A2	CAGE CODE -	DRAWING NO. C-444148	RESTRICTED TO -
	WEIGHT -	CUSTOMER DRAWING	SCALE 2:1	SHEET 1 OF 1	REV A2	

