

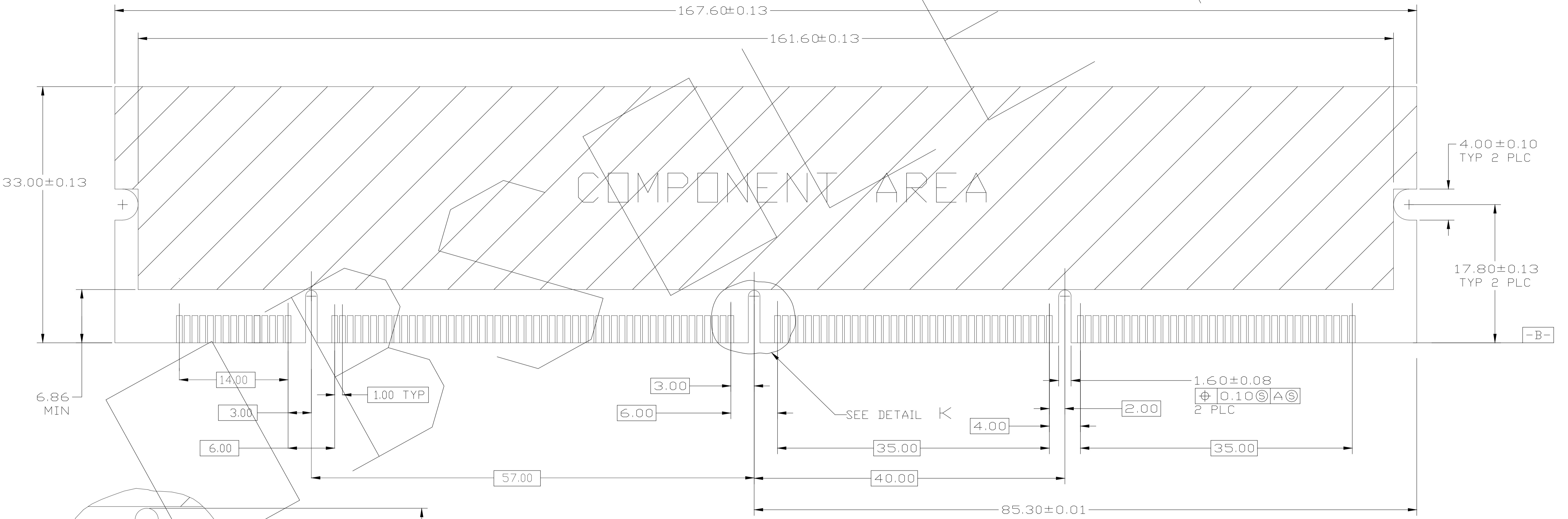
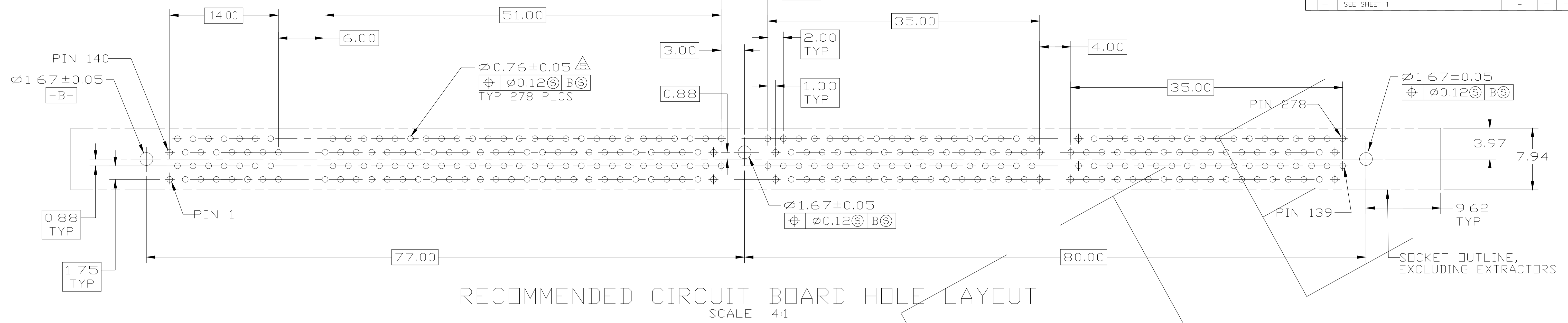
1. DRAWING AND DIMENSIONS SHOWN ARE FOR A SINGLE 278 I/O SOCKET ASSEMBLY.
2. THE POST DIAMETER REFERENCE DIMENSIONS EXCLUDE THE POSTS' FLUTING FEATURES.
- 3 CONTACT PADS SHALL BE PLATED WITH 0.0008 [0.0003] MINIMUM THICK GOLD OVER 0.0038 [0.0015] MINIMUM THICK NICKEL.
- 4 MATERIAL: HOUSING- HIGH TEMPERATURE NYLON, BLACK. EXTRACTORS- HIGH TEMPERATURE NYLON; BLUE, BROWN. CONTACTS- PHOSPHOR BRONZE WITH 0.00076 [0.00030] MIN THICK GOLD OVER 0.00381 [0.00150] MIN THICK NICKEL IN CONTACT AREA AND 0.00381 [0.00150] MIN THICK TIN-LEAD OVER 0.00127 [0.00050] MIN THICK NICKEL ON SOLDER TAIL.
- 5 RECOMMENDED PCB DRILLED HOLE SIZE BEFORE PLATING 0.89 ± 0.013 FINISHED PLATED HOLE SIZE OF 0.76 ± 0.05 [0.030 ± 0.02]
- 6 PCB SURFACE
- 7 DATE CODE LOCATED APPROX. AS SHOWN.

BROWN	5.79	4.21	278	292439-2
BLUE	5.79	5.29	278	292439-1
COLOR ①	DIM_B	DIM_A	POS	PART NUMBER

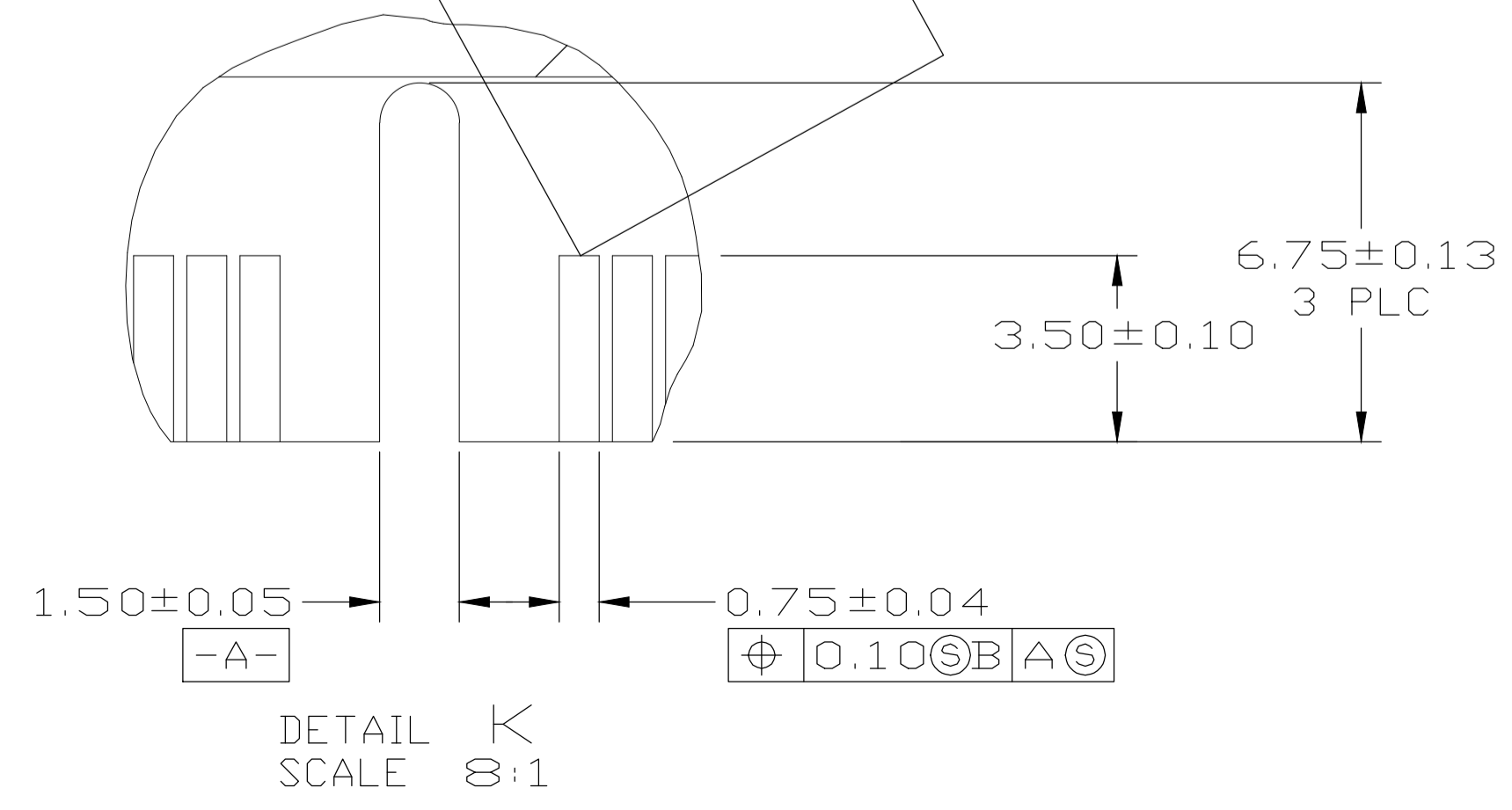
SECTION A-A
 ROTATED 90° CW

THIS DRAWING IS A CONTROLLED DOCUMENT.

DIMENSIONS: MM	TOLERANCES UNLESS OTHERWISE SPECIFIED:	DIN J. BURWELL 06NOV03	tyco Electronics Tyco Electronics Corporation SH/CN GuiPingRD 668#
0. PLC ± -	1. PLC ± 0.30	CHK D. SHIRLING 06NOV03	NAME
2. PLC ± 0.10	3. PLC ± 0.01	APVD	PRODUCT SPEC 108-1717
4. PLC ± -	ANGLES ± -	SIZE	APPLICATION SPEC
MATERIAL 4	FINISH -	WEIGHT	RESTRICTED TO
CUSTOMER DRAWING		SCALE 6:1	SHEET 1 OF 2 REV C



MODULE THICKNESS: 1.27±0.10 [0.050±0.004] MEASURED ACROSS PADS



THIS DRAWING IS A CONTROLLED DOCUMENT.		DIN J.BURWELL 06NOV03	Tyco Electronics Corporation SH/CN GuiPingRD 668#
DIMENSIONS: MM		CHK D.SHIRLING 06NOV03	
TOLERANCES UNLESS OTHERWISE SPECIFIED:		APVD	NAME
0. PLC ± -	1. PLC ± 0.30	PRODUCT SPEC	SOCKET ASSEMBLY, 16 BYTE DIMM, 1mm, 278 PRESS FIT
2. PLC ± 0.10	3. PLC ± 0.01	APPLICATION SPEC	SIZE CASE CODE DRAWING NO. RESTRICTED TO
4. PLC ± -	ANGLES ± -	WEIGHT	A1 00779 C=292439
MATERIAL	FINISH	CUSTOMER DRAWING	SCALE 6:1 SHEET 2 OF 2 REV C