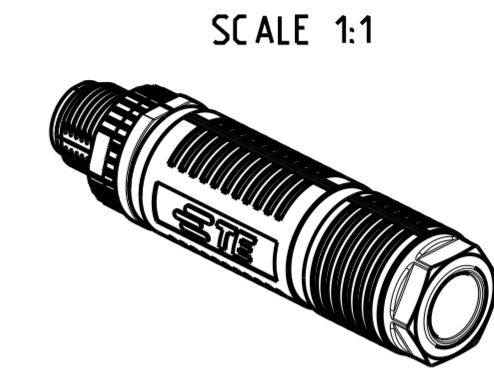
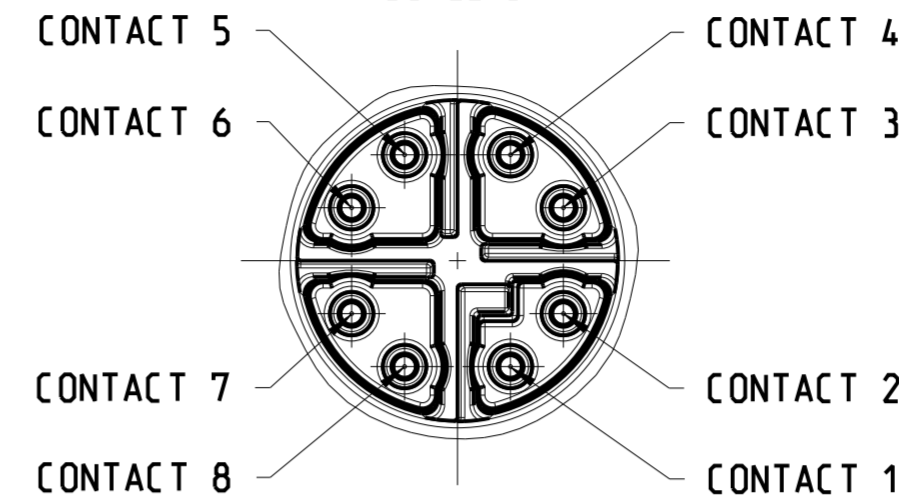
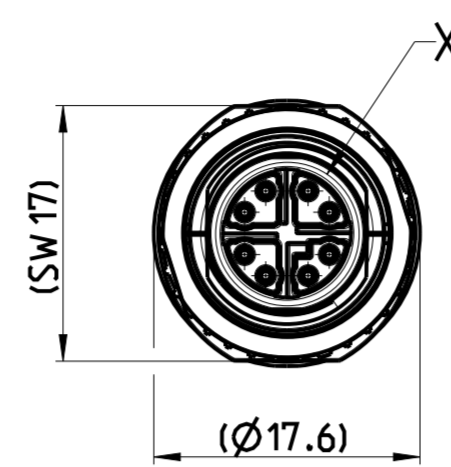
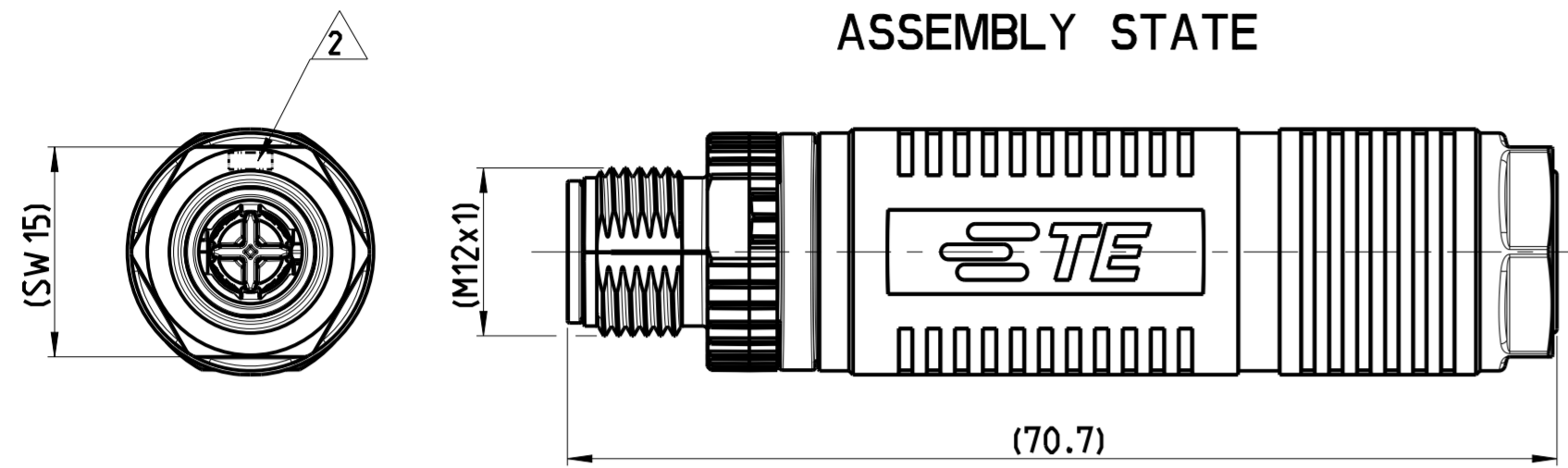


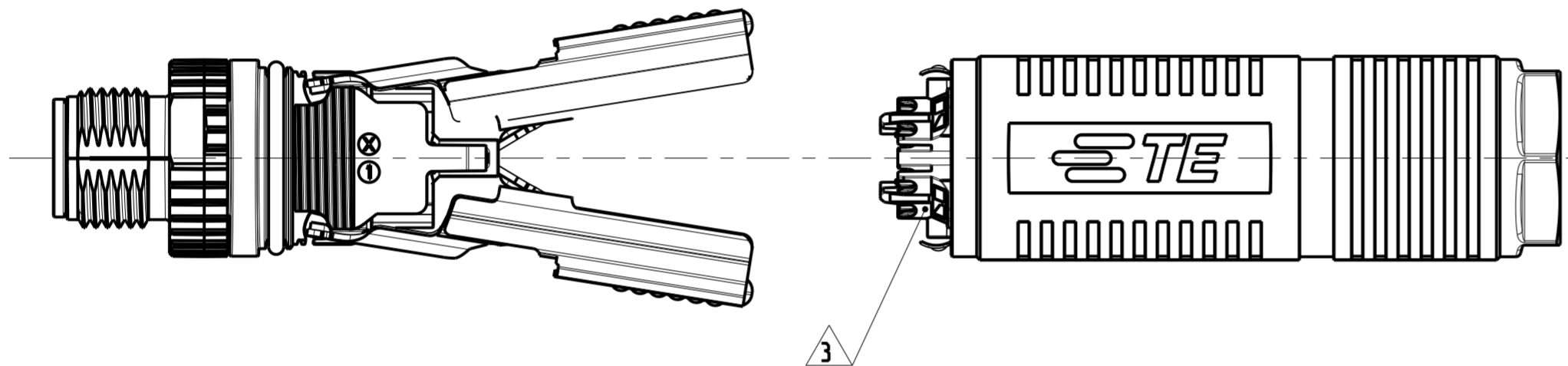
THIS DRAWING IS UNPUBLISHED.  
 VERTRÄGLICHE UNVERÖFFENTLICHTE ZEICHNUNG  
 (C) COPYRIGHT 2021 TE Connectivity Germany GmbH  
 RELEASED FOR PUBLICATION  
 FREI FÜR VERÖFFENTLICHUNG  
 2021  
 ALL RIGHTS RESERVED.  
 ALLE RECHTE VORBEHALTEN.

PROJECT NO.:  
 PRJ-21-000902851

REVISIONS		DATE	DWH	APVD
P	LTR	DESCRIPTION		
1		NEW PELIMINARY DRAWING	11MAY2021	NM JDB
A		GTP ECN-21-106099	14 JUN2021	NM JDB



DELIVERY STATE

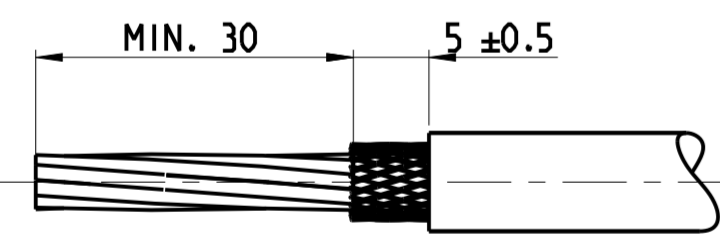


- 2 MANUFACTURING DATE CODE MARKING:  
YEAR AND WEEK (SEE TABLE)  
AFTER POSITIVE INSPECTION
- 3 FLOATING POSITION
- 4 PACKAGING: 1 PIECE OF EACH COMPONENT  
PACKED IN A FOLDING CARTON  
WITH A INSTRUCTION SHEET
- 6 APPLICATION SEE INSTRUCTION SHEET 408-18019

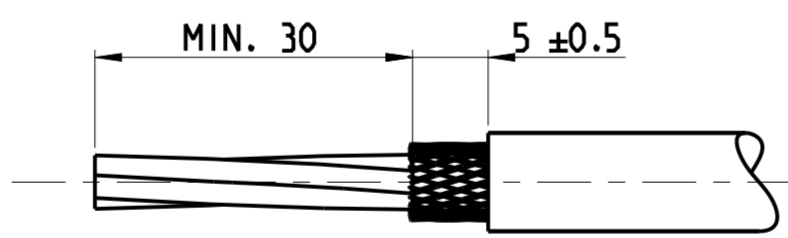
CABLE: 8 POS. AWG 24 AND AWG 26  
 STRANDED OR SOLID

CABLE: 4 POS. AWG 22 STRANDED OR SOLID

RECOMMENDED STRIPPING LENGTH



RECOMMENDED STRIPPING LENGTH



COLOR ALLOCATION OF  
 M12 X-CODE CONTACT 8 POS. TYPE:

CONTACT NO.	COLOR CODE/ WIRE COLOR
1	WHITE/ORANGE
2	ORANGE
3	WHITE/GREEN
4	GREEN
5	WHITE/BROWN
6	BROWN
7	WHITE/BLUE
8	BLUE

COLOR ALLOCATION OF  
 M12 X-CODE CONTACT 4 POS. TYPE:

CONTACT NO.	COLOR CODE	WIRE COLOR (PROFINET 4P)
1	WHITE/ORANGE	YELLOW
2	ORANGE	ORANGE
3	WHITE/GREEN	WHITE
4	GREEN	BLUE

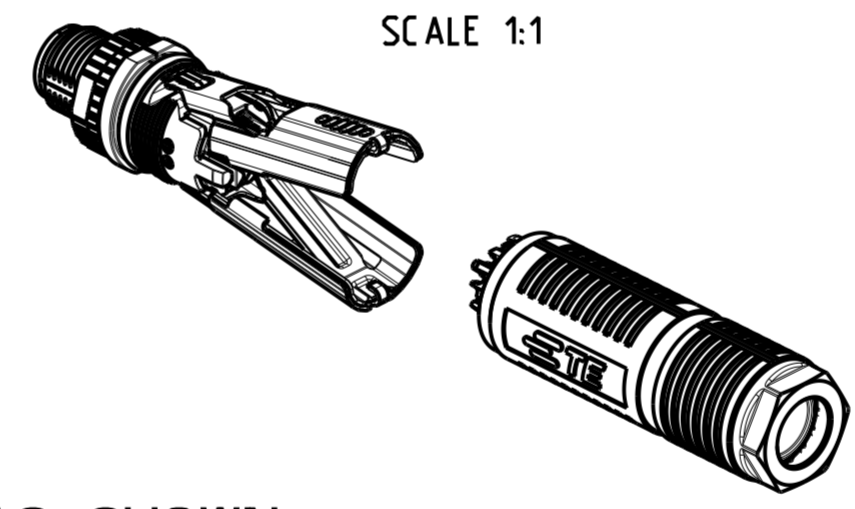
PRODUCTION DATE CODE

YEAR	CODE	WEEK
2018	K	01
2019	L	T0
2020	M	52
2021	N	
2022	P	
2023	R	

EXAMPLES: WEEK 22 IN 2018 = K22  
 WEEK 3 IN 2020 = M03

TOLERANCING ISO 8015  
 GEOMETRIC TOLERANCING ISO 1101  
 SIZE ISO 14405  
 GENERAL TOLERANCES ISO 2768-K

- 1 AS SHOWN



M12 X-CODE	2327989-1	1SET310625R0000
DESCRIPTION	TE PN	ENTRELEC PN

1	1	1	1SET310625R0000	M12 X-CODE FIELD INSTALLABLE CABLE PLUG WITH INSTRUCTION SHEET	-	-
QUANTITY			DESCRIPTION		SURFACE COLOUR	MATERIAL

TE CONNECTIVITY  
 ORDER-NO.

DIESE ZEICHNUNG IST EIN KONTROLLIERTES DOKUMENT.  
 BEMASSUNGEN UND TOLERANZEN GEMAESS GPS (ISO STANDARDS).

THIS DRAWING IS A CONTROLLED DOCUMENT.  
 DIMENSIONING AND TOLERANCING PER GPS (ISO STANDARDS).

ENTRELEC Electrical Solutions

NAME: M12 X-CODE CAT6a  
 M12 X-CODE CAT6a

SIZE: A2 CAGE CODE: 00779 DRAWING NO.: G-1SET310625R0000

CUSTOMER DRAWING /KUNDENZEICHNUNG SCALE MASSSTAB 2:1 SHEET BLATT 1 OF 1 REV A