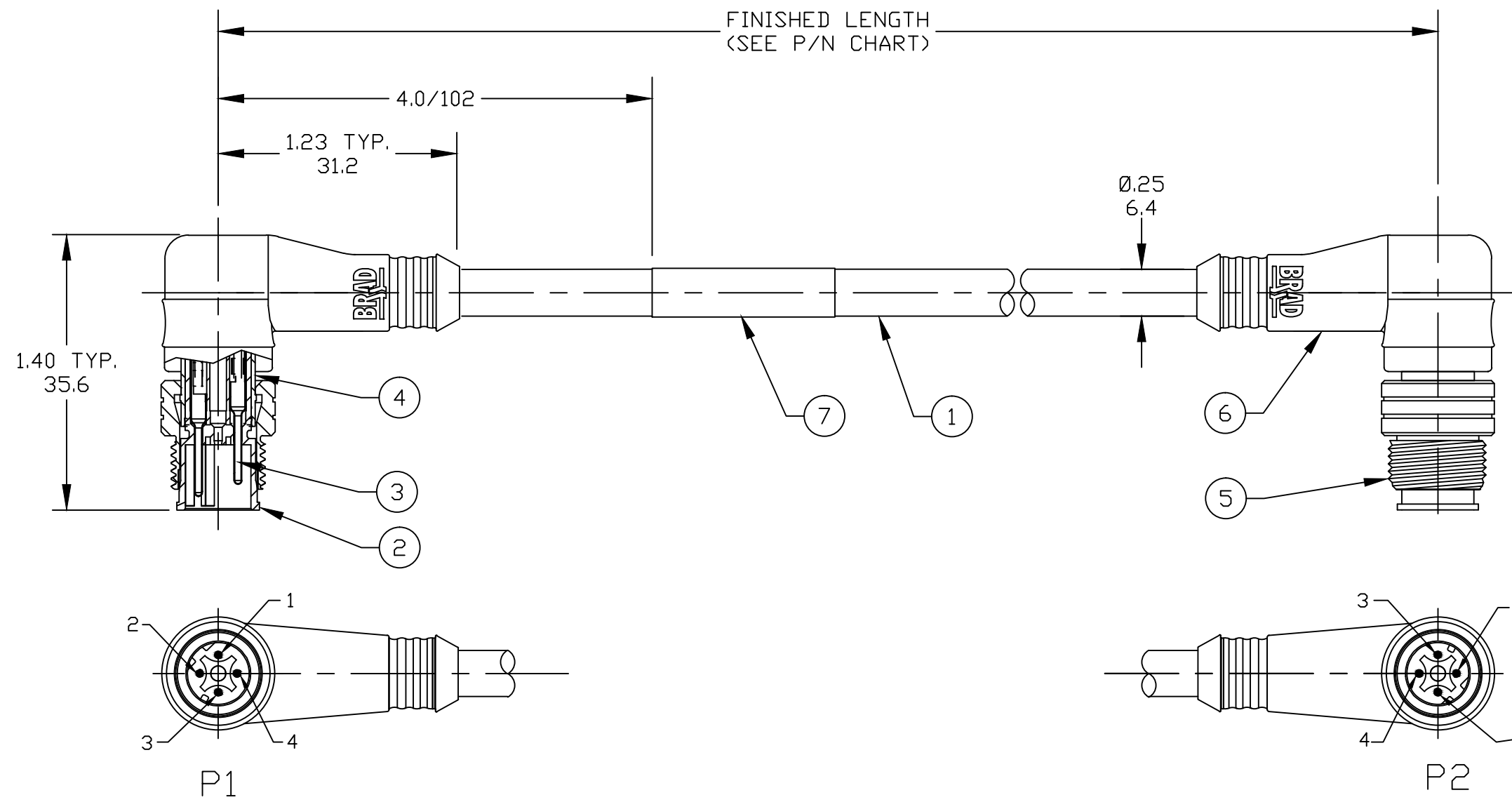


PART NO.	ENGINEERING NO.	FINISHED LENGTH
1201080173	E11A06305M006	0.6M [1'8"]
1201080174	E11A06305M010	1.0M [3'3"]
1201080179	E11A06305M100	10.0M [32'10"]

CABLE LENGTH TOLERANCES	
>.3M [1FT]:	+19mm-0 [+0.75in-0]
.3 - .9M [1 - 3FT]:	+44.5mm-0 [+1.75in-0]
.9 - 1.8M [3 - 6FT]:	+55.6mm-0 [+2.19in-0]
1.8 - 3.7M [6 - 12FT]:	+88.9mm-0 [+3.50in-0]
3.7 - 7.3M [12 - 24FT]:	+165.1mm-0 [+6.50in-0]
7.3-14.6M [24 - 48FT]:	+317.5mm-0 [+12.50in-0]
14.6 - 30.5M [48-100FT]:	+622.3mm-0 [+24.50in-0]
OVER 30M [100FT]	+2% OF FINISHED LENGTH

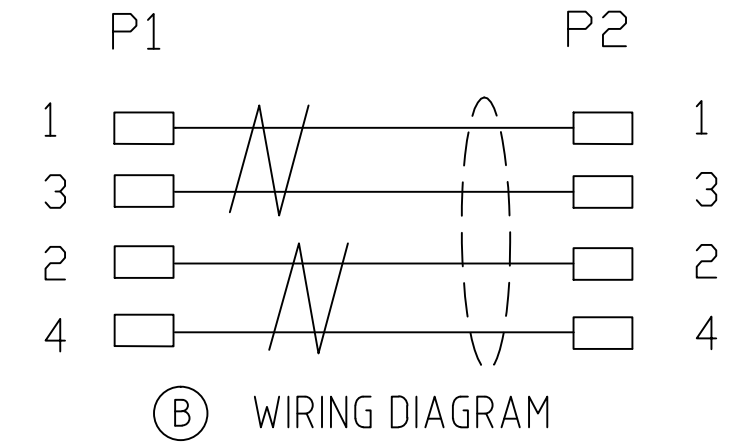


PART NUMBER LEGEND

E11A06305M006

FINISHED LENGTH:
M005= 0.5 METER
M010= 1 METER
M100= 10 METER

- NOTES:**
1. MATERIAL: AS NOTED
 2. FINISH: AS NOTED
 3. ELECTRICAL:
VOLTAGE: 30V
CURRENT: 1.5A
 4. TEMP RATING: -20° TO +75°C
 5. PROTECTION: IP67 (WHEN MATED)
 6. COUPLING THREAD: M12 X 1
 7. UL CERTIFIED FILE: E200650
 8. ALL DIMS ARE FOR REFERENCE UNLESS NOTED OTHERWISE



(B) REF. THIS DRAWING SUPERSEDES CD-CREATE DOC SD-120108-038 REV-1

ITEM	DESCRIPTION	MATERIAL	FINISH
7	WRAP LABEL	VINYL	BLACK/YELLOW
6	OVERMOLD	PBT	GRAY
5	COUPLING NUT	BRASS	NICKEL PLATED
4	SHIELD HOUSING	BRASS	NICKEL PLATED
3	CONTACT PIN	COPPER ALLOY	GOLD PLATED
2	MALE INSERT, D-CODE	PUR	BLACK
1	CABLE, 2 PAIR, 26AWG, SHLD	TPE JACKET	TEAL

REV D AND REDRAWN TO A-CAD
EC NO: IFC2019-0111
DRWN: RSTONE 2018/09/06
CHKD: C CHRAST
APPR: BWOODMAN2018/10/01

QUALITY SYMBOL
▽=---
▽C=0

GENERAL TOLERANCES (UNLESS SPECIFIED)		DIMENSION STYLE IN/MM		SCALE	DESIGN UNITS	THIRD ANGLE PROJECTION	
	mm	INCH	DRAWN BY	DATE	TITLE		
4 PLACES	±---	±---	RSTONE	2018/09/06	M12 D-CODED CABLE ASSY 4P 90D MALE / 90D MALE D-CODE 24AWG, 360 SHLD		
3 PLACES	±---	±---	CHECKED BY	DATE			
2 PLACES	±---	±---	C CHRAST	----			
1 PLACE	±---	±---	APPROVED BY	DATE	MOLEX INCORPORATED		
ANGULAR ±---°		BWOODMAN		2018/10/01		DOCUMENT NO.	
DRAFT WHERE APPLICABLE MUST REMAIN WITHIN DIMENSIONS			MATERIAL NO. ---		SD-120108-038	SHEET NO. 1 OF 1	
THIS DRAWING CONTAINS INFORMATION THAT IS PROPRIETARY TO MOLEX INCORPORATED AND SHOULD NOT BE USED WITHOUT WRITTEN PERMISSION							