

**483030A10M006**

No Pole  
3-4 Pole

cable type  
#24/3-4 AWG  
PVC YELLOW

cable length  
006----.6 Meters  
020----2 Meters

MATERIAL NUMBER	ENGINEERING NUMBER	FINISHED LENGTH IN/MM
1200870306	483030A10M006	1.97' +1.75" -0 [0.6M +44.5 -0]
1200870309	483030A10M010	3.28' +2.19" -0 [1.0M +55.6 -0]
1200870312	483030A10M020	6.56' +3.50" -0 [2.0M +88.9 -0]
1200870353	484030A10M010	3.28' +2.19" -0 [1.0M +55.6 -0]
1200870354	484030A10M020	6.56' +3.50" -0 [2.0M +88.9 -0]

**SPECIFICATION DATA**

COMPONENT	MATERIAL	FINISH
LABEL	MYLAR	BLACK/YELLOW
COUPLER	BRASS	NICKEL PLATED
CONTACT	COPPER ALLOY	Au OVER Ni
INSERT	PUR	BLACK
O-RING	VITON	RED
OVERMOLD	TPE	YELLOW
CABLE #24/3-4	PVC	YELLOW
VOLTAGE RATING:	3-4 POL:60V/AC 75V/DCV	
AMPERAGE RATING:	3A	
PROTECTION CLASS:	IP 68	
OPERATING TEMPERATURE:	-20°C / 105°C	
UL CERTIFICATIONS	UL listed, File #E152210	
CSA CERTIFICATIONS	CSA CERTIFIED, File LR6837	

REV	DESCRIPTION	QUALITY SYMBOLS	GENERAL TOLERANCES (UNLESS SPECIFIED)		DIMENSION STYLE		SCALE	DESIGN UNITS	THIRD ANGLE PROJECTION
			mm	INCH	IN/MM	INCH			
2	UPDATED FOR PART NUMBER MATRIX EC NO: IPG2014-0989 DRWN: GGUSTAFS 11/27/13 CHKD: BARDEN APPR: BWOODMAN 2010/02/05	▽ = 0 ◻ = 0	4 PLACES ±---	±---	IN/MM	NTS	INCH		
			3 PLACES ±---	±.005					
			2 PLACES ±.13	±.010					
			1 PLACE ±.25	±.020					
			ANGULAR ± .5 °						
			DRAFT WHERE APPLICABLE MUST REMAIN WITHIN DIMENSIONS						
			SEE TABLE						
			SIZE A3						
			THIS DRAWING CONTAINS INFORMATION THAT IS PROPRIETARY TO MOLEX INCORPORATED AND SHOULD NOT BE USED WITHOUT WRITTEN PERMISSION						

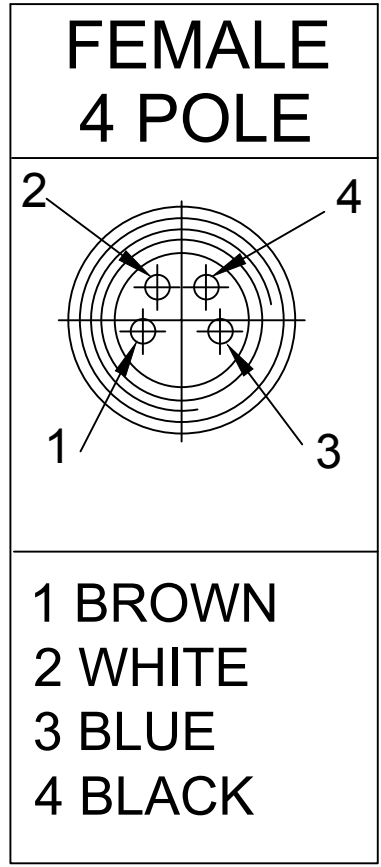
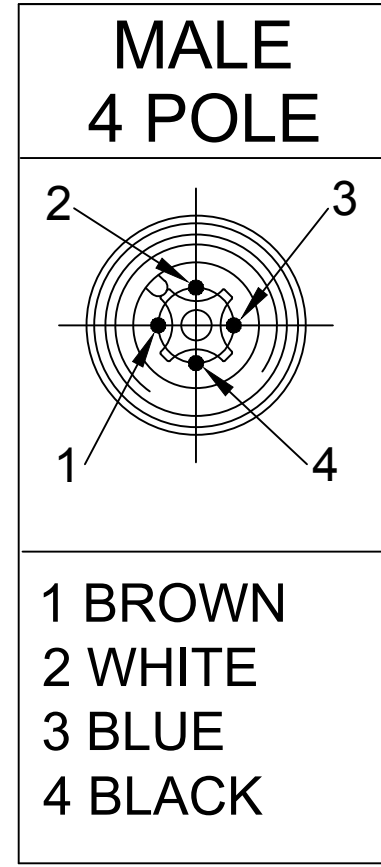
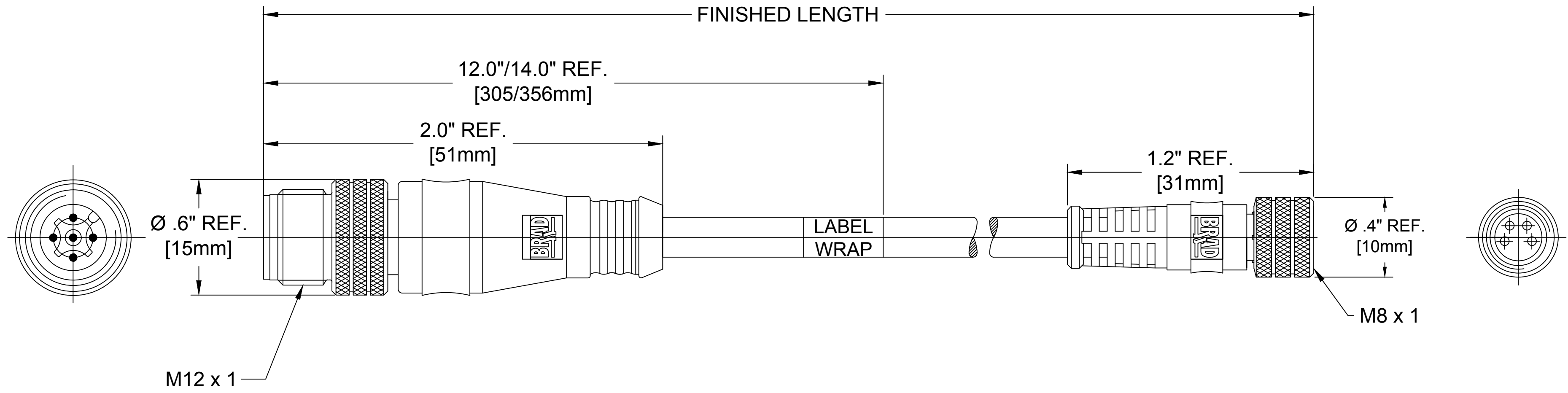
NC/MIC 3/4P F/MM XM  
AWG 24 PVC

**MOLEX INCORPORATED**

SD-120087-009

SHEET NO.  
1 OF 1

MATERIAL NUMBER	OLD PART NUMBER	FINISHED LENGTH
1200878585	484030A10M006	0.6M +44.5mm -0 [2.0FT. +1.75IN -0]



**484030A10M006**

cable type  
4 x 0.34mm<sup>2</sup>  
PVC YELLOW

cable length  
006----.6 Meters  
010----1 Meter

**SPECIFICATION DATA**

COMPONENT	MATERIAL	FINISH
LABEL	MYLAR	BLACK/YELLOW
COUPLER	BRASS	NICKEL PLATED
CONTACT	COPPER ALLOY	Au OVER Ni
INSERT	PUR	BLACK
OVERMOLD	TPE	YELLOW
CABLE	PVC	YELLOW
VOLTAGE RATING:		60V AC / 75V DC
AMPERAGE RATING:		4A
PROTECTION CLASS:		IP 67
OPERATING TEMPERATURE:		-20°C / 105°C

EC NO: IFCG2014-0760 DRWN: GGUSTAFS 2013/10/11 CHKD: BARDEN APPR: BWOODMAN 2013/12/02 RELEASE	DESCRIPTION REV	QUALITY SYMBOL ▽=0 ▽C=0	GENERAL TOLERANCES (UNLESS SPECIFIED)		DIMENSION STYLE	SCALE	DESIGN UNITS	THIRD ANGLE PROJECTION				
					IN/MM	NTS	INCH					
					mm	DRAWN BY		DATE	TITLE			
					INCH	GGUSTAFS		2013/10/09	NANO CHANGE MIRCO CHANGE 4 POLE FEMALE/MALE ST/ST #24 PVC			
		4 PLACES	±---	±---	CHECKED BY		DATE	MOLEX INCORPORATED MOLEX INCORPORATED				
		3 PLACES	±---	±.005	BARDEN		2013/11/20					
		2 PLACES	±.13	±.010	APPROVED BY		DATE	DOCUMENT NO.		SHEET NO.		
		1 PLACE	±.25	±.020	BWOODMAN		2013/12/02	SD-120087-054		1 OF 1		
		ANGULAR ±.5°			MATERIAL NO.							
		DRAFT WHERE APPLICABLE MUST REMAIN WITHIN DIMENSIONS			SEE CHART							
		SIZE		THIS DRAWING CONTAINS INFORMATION THAT IS PROPRIETARY TO MOLEX INCORPORATED AND SHOULD NOT BE USED WITHOUT WRITTEN PERMISSION								
		C										