

SCHEMATIC



SPECIFICATIONS

FUNCTION:
1P1T OFF-ON

RATINGS:
ANSI/UL 1054 and CAN/CSA C22.2 No. 55 (E194579):
16A 125VAC [UR, cUR]
10A 250VAC [UR, cUR]
1/3HP 125/250VAC [UR, cUR]

EN 61058-1:2002:
10(4)A 250V~ μ 1E4 T125/55 [ENEC14]
10(2)A 250V~ μ 5E4 T85/55 [ENEC14]

CONTACT RESISTANCE:
Initial: 35mΩ Max. at 50VAC

INSULATION RESISTANCE:
100MΩ Min. at 500VDC

DIELECTRIC STRENGTH:
1,500VAC For 1 Minute

ELECTRICAL LIFE:
6,000 Cycles [UR, cUR]
10,000 Cycles [ENEC14: 10(4)A 250V~]
50,000 Cycles [ENEC14: 10(2)A 250V~]

TEMPERATURE:
Operating: -20°C to 105°C [UR, cUR]
Operating: -20°C to 125°C [ENEC14: 10(4)A 250V~]
Operating: -20°C to 85°C [ENEC14: 10(2)A 250V~]



COLORS AND MARKINGS

BODY:
WHITE

ACTUATOR:
WHITE

MARKINGS:
NO MARKINGS

MARKING COLOR:
NONE

MATERIALS

BODY:
Polyamide 6/6 (PA66), UL94 V-2

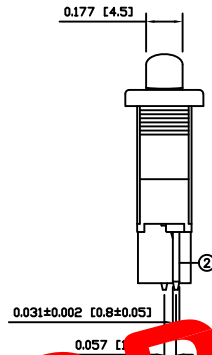
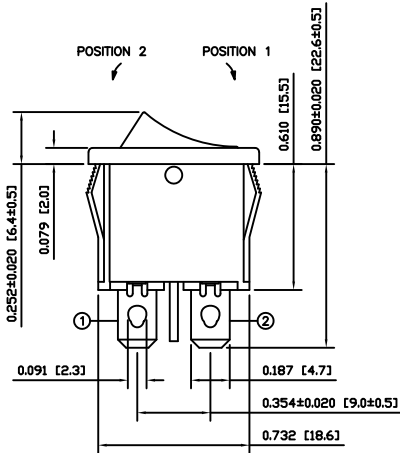
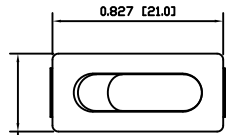
ACTUATOR:
Polyamide 6/6 (PA66), UL94 V-2

MOBILE CONTACT:
Silver Plated Copper

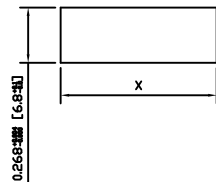
CONTACTS:
Silver Alloy

TERMINALS:
Silver Plated Copper

OBSOLETE
July 2018
PCR 23443



SUGGESTED PANEL CUTOUT



PANEL THICKNESS	X
0.030~0.049 [0.75~1.25]	0.756 [19.2]
0.049~0.079 [1.25~2.00]	0.764 [19.4]
0.079~0.118 [2.00~3.00]	0.772 [19.6]

ACTUATOR	A	09/07/27	CAB
BODY	A	09/07/27	CAB
MATERIALS	A	09/07/27	CAB
SPECIFICATIONS	A	09/07/27	CAB
REFERENCE	REV.	DATE	BY

THE INFORMATION CONTAINED IN THIS DOCUMENT IS PROPRIETARY TO E-SWITCH-LAMB INDUSTRIES AND IS NOT TO BE COPIED OR TRANSFERRED

INITIAL RELEASE	20576	05/10/12	drg
DESCRIPTION	PCR	DATE	DRAWN BY

DIMENSIONS	INCHES [MILLIMETERS]
GENERAL TOLERANCES	±0.008 [±0.2] / ±1'
SCALE	DRAWING NOT TO SCALE

RD151C1100		
ITEM NUMBER	DATE	REVISION
38-RD151C1100	MAY 10, 2012	A