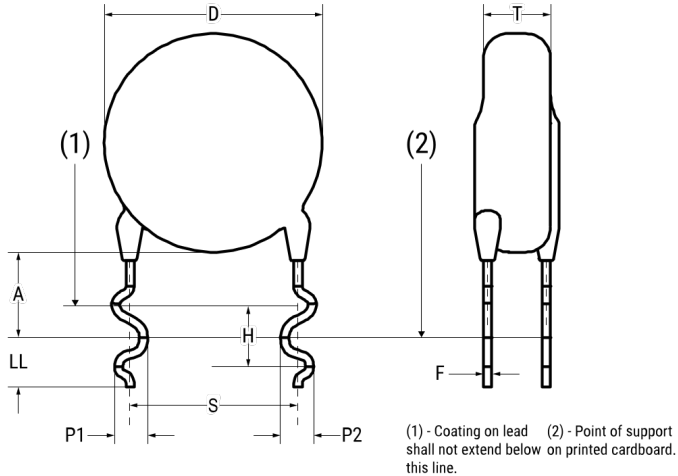


ERK610Z471KQHO

Aliases (C811QH471K440XV761, ERK610RK3470KQHO)

Obsolete

ERK610 SFTY X1-440 Y2-300, Ceramic, 470 pF, 10%, 440 VAC (X1), 300 VAC (Y2), Y5U, Lead Spacing = 12.5mm



Click [here](#) for the 3D model.

Dimensions

D	8mm MAX
H	3.3mm +/-0.3mm
T	6mm MAX
S	12.5mm NOM
LL	3.5mm MIN
F	0.8mm +/-0.05mm
A	6mm +/-1.5mm
V	2mm +/-0.5mm

Packaging Specifications

Packaging Bulk, Bag

General Information

Series	ERK610 SFTY X1-440 Y2-300
Style	Radial Disc
Description	Ceramic Single Layer Safety Disc Capacitors
RoHS	Yes
Termination	Tin
Qualifications	UL, CSA, CAN, ENEC, VDE
AEC-Q200	No

Specifications

Capacitance	470 pF
Capacitance Tolerance	10%
Voltage AC	440 VAC (X1), 300 VAC (Y2)
Temperature Range	-40/+125°C
Temperature Coefficient	Y5U
Dissipation Factor	2.5%
Insulation Resistance	6 GOhms
Safety Class	X1/Y2