

6

5

4

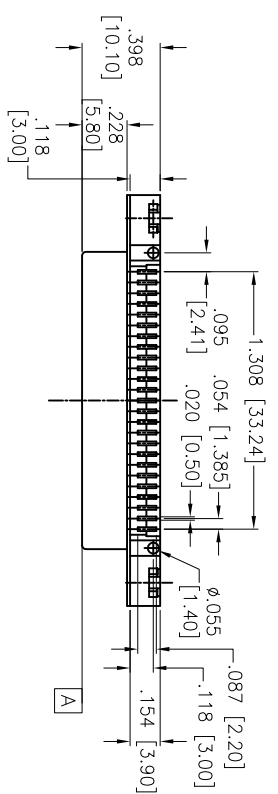
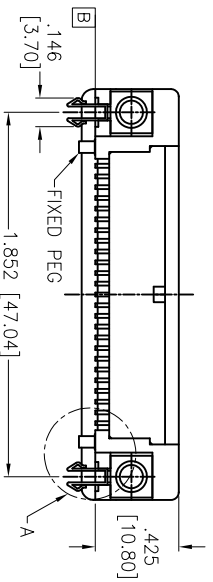
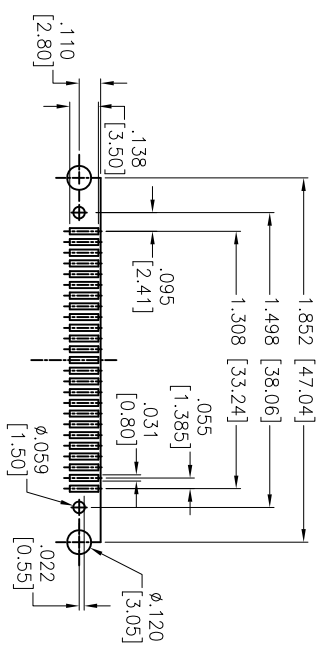
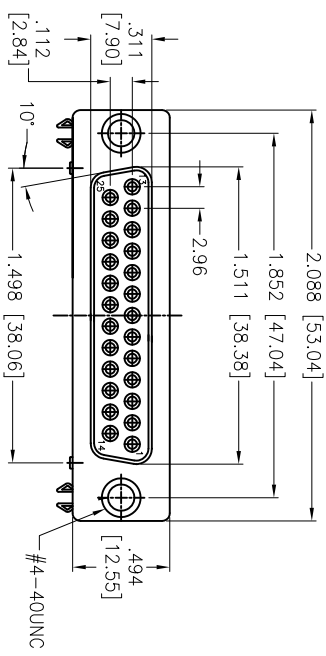
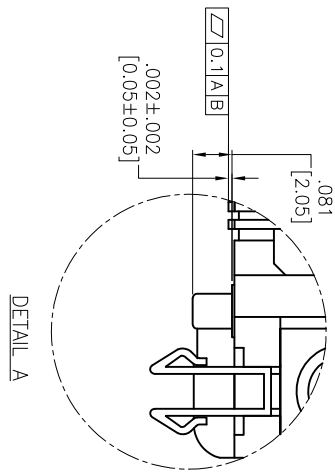
3

2

1

APPROVED: _____
DATE: _____ TITLE: _____

Rev	AWO #	Description	Date	Appr
-		RELEASED	06/29/05	
A		UPDATE SHAPE	9/25/14	HRLW



PIN NUMBER:
1 14 2 15 3 16 4 17 5 18 6 19 7 20 8 21 9 22 10 23 11 24 12 25 13

RECOMMENDED PCB LAYOUT

SPECIFICATIONS:

Material:
Insulator: Hi-Temp Thermoplastic, glass reinforced, rated UL 94V-0
Insulator color: Black
Contacts: Phosphor Bronze
Metal Shell: SPCC, Nickel plated
Board Lock: Brass, Tin plated
Screw & Nut: Brass, Nickel plated

Plating:

Gold over Nickel underplate on contact area,
Tin over Nickel underplate on solder tails.

Electrical:

Operating voltage: 300 VAC max
Current rating: 5 Amps max
Contact resistance: 13 mohms max.
Insulation resistance: 1000 Mohms min
Dielectric withstanding voltage: 500 VAC for 1 minute
Temperature Rating:
Operating temperature: -55°C to +105°C
Environmental:
Lead free, RoHS compliant.

ADAM TECH

909 Rahway Avenue, Union, NJ 07083
Phone: 908-687-5000 Fax: 908-687-5710

TITLE: D-SUB, 25 POS FEMALE, RIGHT ANGLE, SMT

UNLESS OTHERWISE SPECIFIED ALL DIMENSIONS ARE INCHES [MM]	
TOLERANCES: EXCEPT AS NOTED	
INCHES	HOLDERS
.X ± .10	± .10
.XX ± .020	± .015
.XXX ± .015	± .010
.XXX ± .015	± .010
APPROVALS	DATE
DRAWN	SS
CHECKED	06/29/05
APPROVED	

SIZE	PART NO.	REV.
X	DB25-SS-24	A
REF: S00003T	SCALE: NTS	SHEET 1 OF 1

6

5

4

3

2

1

