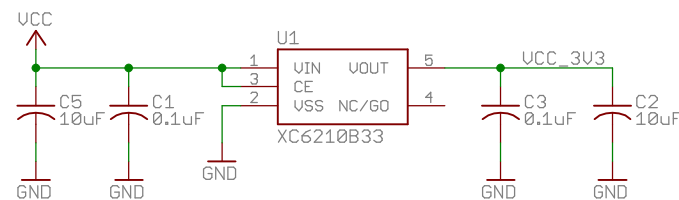
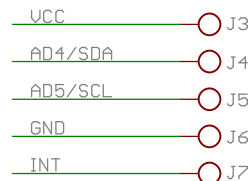


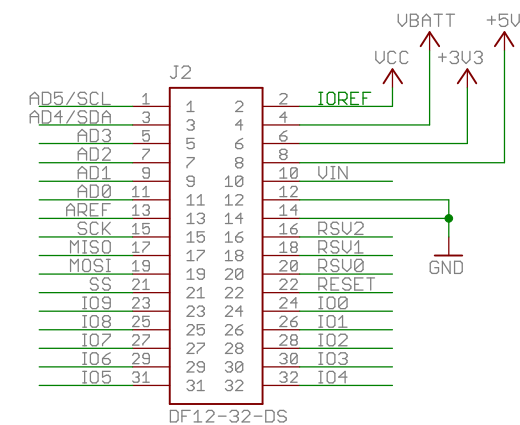
3.3V Power Supply



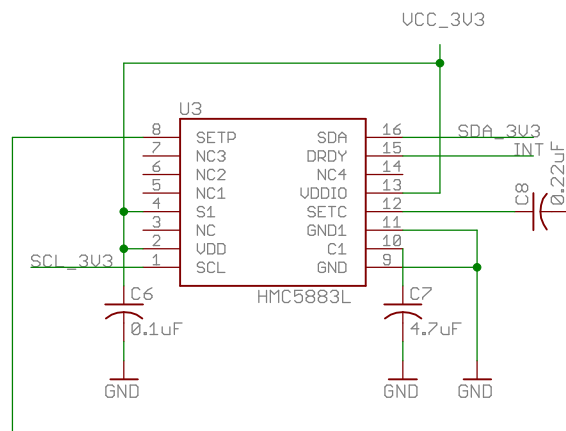
External Connections



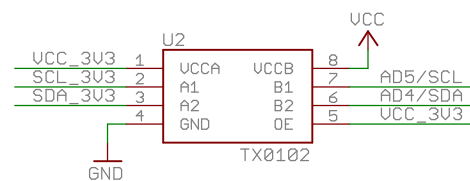
TinyShield Expansion - Bottom



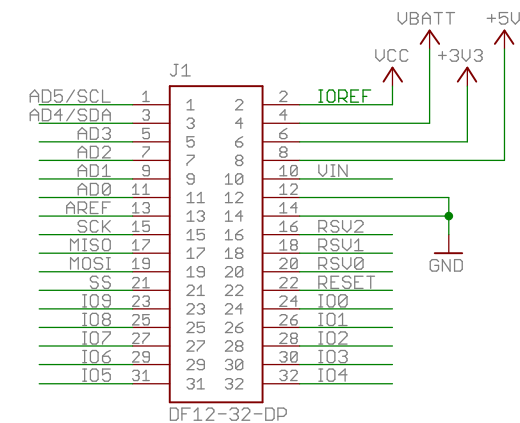
Honeywell HMC5883L



I2C Level Shifter



TinyShield Expansion - Top



Released under the Creative Commons Attribution Share-Alike 3.0 License
<http://creativecommons.org/licenses/by-sa/3.0>

Original Arduino Uno Design by Team Arduino
 LilyPad Arduino Design by Leah Buechley and Sparkfun Electronics
 TinyDuino, TinyLily and TinyShield Designs by TinyCircuits

		http://www.TinyCircuits.com
TITLE: TinyShield - 3-Axis Compass		
Document Number: AS-SCH-ASD2613		REV: 1
Date: 2/14/2016 8:15:03 PM		Sheet: 1/1