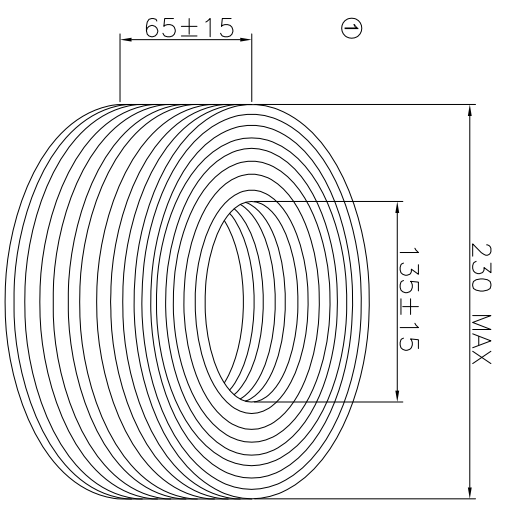
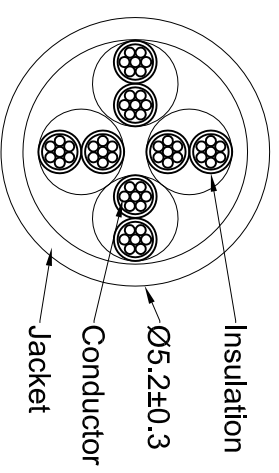
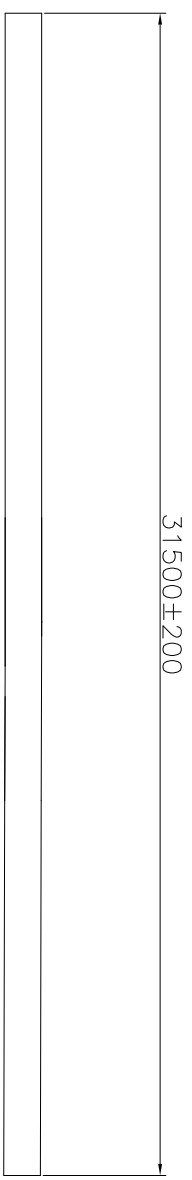


1	2	3	4	5	6	7
---	---	---	---	---	---	---



Conductor	Material	BC
	Structure	7/0.19±0.015mm
	Wire size	0.97±0.05mm
Insulation	Color	white/orange-orange;white/green-green; blue-white/blue;white/brown-brown
	Material	HDPE
Jacket	Material	80°C PVC 45P
	OD	5.2±0.30mm
	Color	Blue
Printing	Content	CM9Lc9L4P 24AWG UTP CAT.5E PATCH CABLE ISO/IEC 11801 & EN 50288 & ANS/TIA-568-C.2
	Color	White

31500±200 mm/reel.

RoHS compliant Unit: mm	Scale	Free										
	TOLERANCE											
	DIM	TOL	①	Add the packing information	18.10.2018	Segal						
			②	Drawn	01.06.2017	Amy						
	Angle	TOL		Modification								



Customer-No.		Date	01.06.2017	Name	Amy
ASSMANN WSW-No.		Approved	18.10.2018	Amy	
AMJC-0000-3050-BU					
Drawing-No.	ASS 8003 CA	Replace			
	rev01				
	SHEET				