



LAYOUT SHOWN AS EXAMPLE

Keying Shown as example

CHARACTERISTICS

- Standard : Based on MIL-DTL-38999 Series III
- Shell Material : Aluminium
- Shell Plating : Olive drab Cadmium
- Insulator : Thermoplastic
- Contacts : Copper Alloy
- Seals & Grommet : Silicon Elastomer
- Contact Plating : Gold over copper Alloy 0.8µm minimum
- Durability : 500 Mating cycles
- Delivered without Souriau contacts
- Temperature Range : -65°C to +175°C
- Salt Spray : 500 hours
- Mass : 59.47 g ± 10%

| Connector dimension | |
|---------------------|-----------------|
| Dim | Nominal |
| A | 55.6±0.3 |
| B | 39.67+0.1/-0.15 |
| R | 32.5Max |
| S | 52.4±0.4 |
| W | 3+0.9/-0.1 |
| VV THREAD | M34x1-6g |

SOURIAU shall not be liable for any non-conformity or damage due to a use of the Products which does not comply with the Specifications issued by either of the Parties or by a third party (professional recommendation, technical notice.)

| | |
|---------|-----------------------------|
| Country | Jurisdiction & Control List |
| FR | Not Listed |

PN: 8D723W55SDL

| | | | |
|--------------|------------|--------------------------|-------------------------|
| A | 01-10-2016 | First Release | |
| ISS | DATE | Latest modification - by | MOD N° |
| Designed By: | | Date: | CUSTOMER DRAWING |

| | | | |
|--------------|--------------------------------|--|--|
| TITLE | Aluminium Receptacle 8D series | | |
|--------------|--------------------------------|--|--|

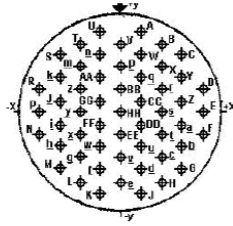
| | | | |
|-------|--|--------------------------------|-----------------|
| SCALE | | General linear Tolerances: ±-- | NPRDS / PROJECT |
| NA | | | 859 |

| | | |
|----------------|------------------------|---|
| SOURIAU | WWW.SOURIAU.COM | This document is the property of SOURIAU it must not be reproduced or communicated without permission |
|----------------|------------------------|---|

| | | | |
|-----------|-------------------------------------|--|------------|
| FORMAT | SOURIAU DRG N° 8D723W55SDL-C | | SHEET |
| A3 | | | 1/2 |

| | | | | | | | | | | |
|----------------|------------------------|---|---|----|---|----|---|---|---|------------------------------------|
| BASIC SERIES: | 8D | 7 | - | 23 | W | 55 | S | D | L | Delivered W/O Contacts |
| SHELL TYPE : | Jam nut Receptacle | | | | | | | | | ORIENTATION : D |
| CONTACT TYPE : | Standard Crimp Contact | | | | | | | | | CONTACT TYPE : SOCKET(500 Matings) |
| SHELL SIZE : | 23 | | | | | | | | | CONTACT LAYOUT : 23-55 |
| PLATING : | W = Olive drab Cadmium | | | | | | | | | |

Contact Layout

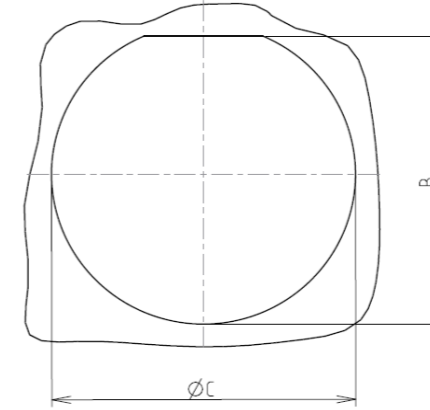


| Contacts (Insert arrangement 23-55) | | | | | |
|--|--------------|--------------|---------------------|-------------|-------------|
| Contact position ID | Location | | Contact position ID | Location | |
| | X-axis (mm) | Y-axis (mm) | | X-axis (mm) | Y-axis (mm) |
| A | +112 (2.84) | +455 (11.56) | f | -112 (2.84) | -325 (8.26) |
| B | +225 (5.72) | +390 (9.91) | g | -225 (5.72) | -260 (6.60) |
| C | +336 (8.53) | +325 (8.26) | h | -336 (8.53) | -195 (4.95) |
| D | +450 (11.43) | +130 (3.30) | i | -336 (8.53) | -065 (1.65) |
| E | +450 (11.43) | +000 (0.00) | j | -336 (8.53) | +065 (1.65) |
| F | +450 (11.43) | -130 (3.30) | k | -336 (8.53) | +195 (4.95) |
| G | +336 (8.53) | -325 (8.26) | m | -225 (5.72) | +260 (6.60) |
| H | +225 (5.72) | -390 (9.91) | n | -112 (2.84) | +325 (8.26) |
| J | +112 (2.84) | -455 (11.56) | p | +000 (0.00) | +260 (6.60) |
| K | -112 (2.84) | -455 (11.56) | q | +112 (2.84) | +195 (4.95) |
| L | -225 (5.72) | -390 (9.91) | r | +225 (5.72) | +130 (3.30) |
| M | -336 (8.53) | -325 (8.26) | s | +225 (5.72) | +000 (0.00) |
| N | -450 (11.43) | -130 (3.30) | t | +225 (5.72) | -130 (3.30) |
| P | -450 (11.43) | +000 (0.00) | u | +112 (2.84) | -195 (4.95) |
| R | -450 (11.43) | +130 (3.30) | v | +000 (0.00) | -260 (6.60) |
| S | -336 (8.53) | +325 (8.26) | w | -112 (2.84) | -195 (4.95) |
| T | -225 (5.72) | +390 (9.91) | x | -225 (5.72) | -130 (3.30) |
| U | -112 (2.84) | +455 (11.56) | y | -225 (5.72) | +000 (0.00) |
| V | +000 (0.00) | +390 (9.91) | z | -225 (5.72) | +130 (3.30) |
| W | +112 (2.84) | +325 (8.26) | AA | -112 (2.84) | +195 (4.95) |
| X | +225 (5.72) | +260 (6.60) | BB | +000 (0.00) | +130 (3.30) |
| Y | +336 (8.53) | +195 (4.95) | CC | +112 (2.84) | +065 (1.65) |
| Z | +336 (8.53) | +065 (1.65) | DD | +112 (2.84) | -065 (1.65) |
| a | +336 (8.53) | -065 (1.65) | EE | +000 (0.00) | -130 (3.30) |
| b | +336 (8.53) | -195 (4.95) | FF | -112 (2.84) | -065 (1.65) |
| c | +225 (5.72) | -260 (6.60) | GG | -112 (2.84) | +065 (1.65) |
| d | +112 (2.84) | -325 (8.26) | HH | +000 (0.00) | +000 (0.00) |
| e | +000 (0.00) | -390 (9.91) | --- | --- | --- |

| Shell size | Arrangement no. | Number of contacts | Size contacts | Service rating | Contact location | Supersedes |
|------------|-----------------|--------------------|---------------|----------------|------------------|------------|
| 23 | -55 | 55 | 20 | I | All | --- |

Panel cutout

JAM NUT RECEPTACLE (TYPE 7)



| Dim | Nominal |
|-----|---------------|
| B | 40.26+0/-0.25 |
| ØC | 41.53+0.25/-0 |

SOURIAU shall not be liable for any non-conformity or damage due to a use of the Products which does not comply with the Specifications issued by either of the Parties or by a third party (professional recommendation, technical notice.)

| Country | Jurisdiction & Control List |
|---------|-----------------------------|
| FR | Not Listed |

PN: 8D723W55SDL

| | | | |
|----------------|-------------------------------------|----------------------------|---|
| A | 01-10-2016 | First Release | |
| ISS | DATE | Latest modification - by | MOD N° |
| Designed By: | | Date: | CUSTOMER DRAWING |
| TITLE | Aluminium Receptacle 8D series | | |
| SCALE | | General linear Tolerances: | NPRDS / PROJECT |
| NA | | ±-- | 859 |
| SOURIAU | WWW.SOURIAU.COM | | This document is the property of SOURIAU it must not be reproduced or communicated without permission |
| FORMAT | SOURIAU DRG N° 8D723W55SDL-C | | SHEET 2/2 |