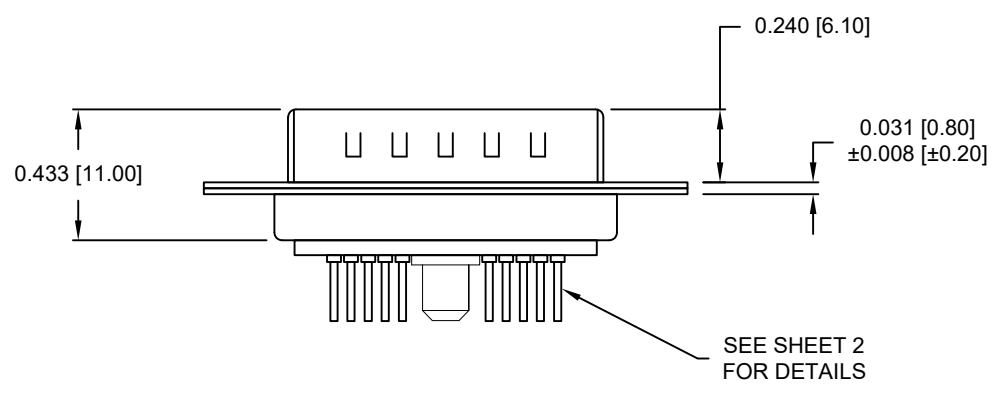
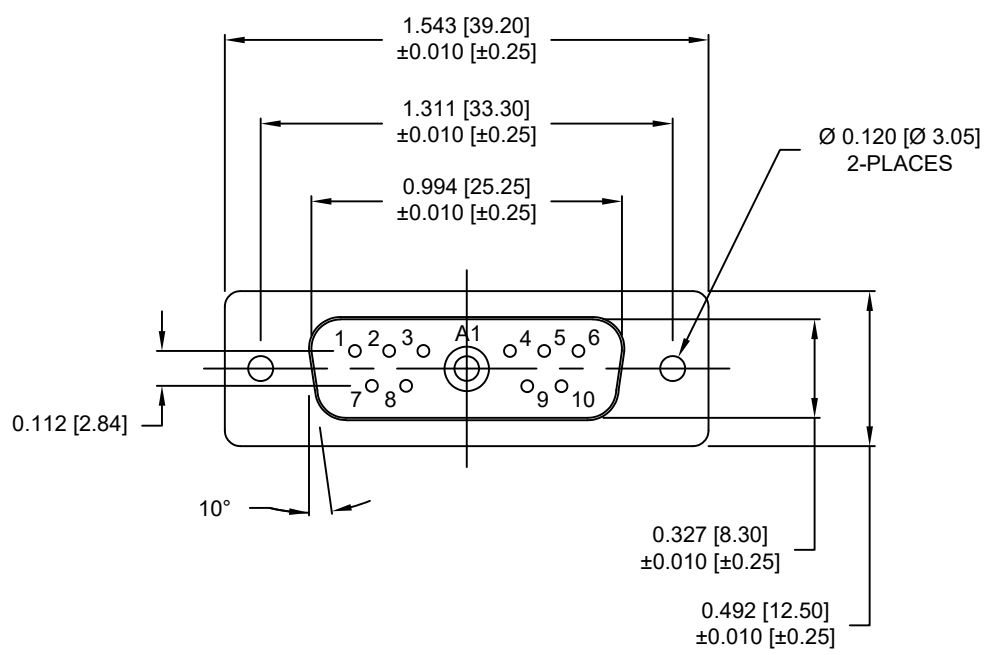


DESCRIPTION: POWER / SIGNAL - VERTICAL BOARD - MALE - IP67



**SPECIFICATIONS:**

<b>ELECTRICAL:</b>	
INSULATION RESISTANCE:	5 GΩ MIN.
DIELECTRIC WITHSTANDING VOLTAGE:	1000 VAC FOR 1 MIN
WORKING VOLTAGE:	250V
OPERATING TEMPERATURE:	-55°C TO +125°C
POWER CONTACT RESISTANCE:	2.0 mΩ MAX.
SIGNAL CONTACT RESISTANCE:	10 mΩ MAX.
POWER PINS:	40 AMPS
SIGNAL PINS:	5 AMPS
<b>MECHANICAL:</b>	
CONTACT INSERTION FORCE:	4.5 Kg MAX.
CONTACT SEPARATION FORCE:	0.3 Kg MIN.
<b>MATERIALS:</b>	
CONTACTS:	COPPER ALLOY, GOLD FLASH
INSULATOR:	PBT UL94V-0 RATED 230°C PROCESS TEMP.
SEAL:	F08 FLEXIBLE ADHESIVE
SHELL:	NICKEL PLATED STEEL
HARDWARE:	NICKEL PLATED BRASS

**681S11W1103LYYY**

- 0 = 40 AMP
- 0 = NO HARDWARE
- 1 = 0.098" CN PCB SIDE
- 2 = 0.236" CN PCB SIDE
- 3 = 0.236" CN MATING SIDE
- 4 = 0.237" BOARDLOCK PCB SIDE
- 5 = 0.224" BOARDLOCK PCB SIDE
- 1 = GOLD FLASH

**MEETS IP67 STANDARDS**  
(SEE PAGE 2 FOR SEALING DETAILS)

**RoHS COMPLIANT**

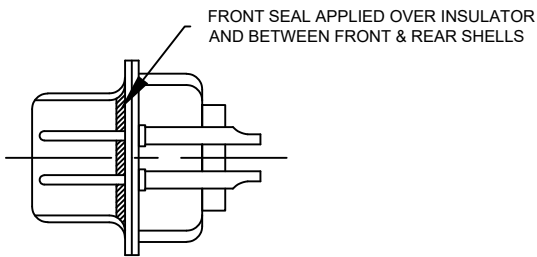
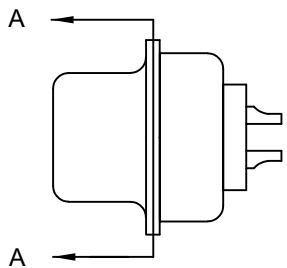
UNITS = INCHES [MM] **DO NOT SCALE FROM DRAWING**

**NC**  
THESE DRAWINGS AND SPECIFICATIONS ARE THE PROPERTY OF NorComp AND SHALL NOT BE REPRODUCED, COPIED OR USED AS THE BASIS FOR THE MANUFACTURE OR SALE OF APPARATUS WITHOUT WRITTEN PERMISSION.

DRAWN: **M. SIGMON**  
DATE: **06/11/2013**

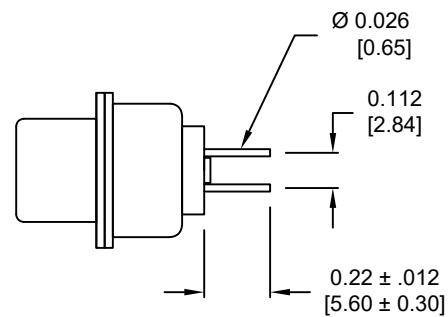
**NorComp**

SCALE: NTS	SHEET 1	OF 4	REV 3
DWG NO.		<b>681S11W1103LYYY</b>	

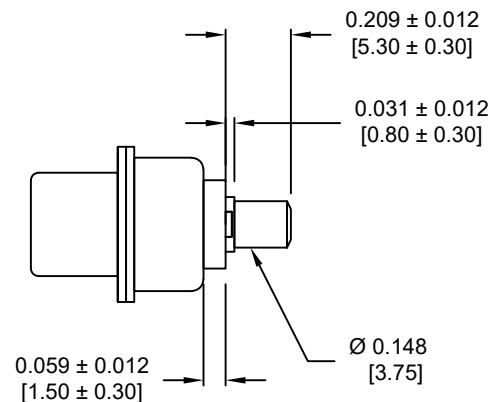


DETAIL A-A  
SHOWN FOR REFERENCE ONLY

NOTE:  
SIGNAL AND POWER CONTACTS  
COME PRE-LOADED INTO INSULATORS



SIGNAL CONTACTS



POWER CONTACTS

RoHS COMPLIANT

UNITS = INCHES [MM] DO NOT SCALE FROM DRAWING



THESE DRAWINGS AND SPECIFICATIONS ARE THE PROPERTY OF NorComp AND SHALL NOT BE REPRODUCED, COPIED OR USED AS THE BASIS FOR THE MANUFACTURE OR SALE OF APPARATUS WITHOUT WRITTEN PERMISSION.

DRAWN:  
M. SIGMON

DATE:  
06/11/2013

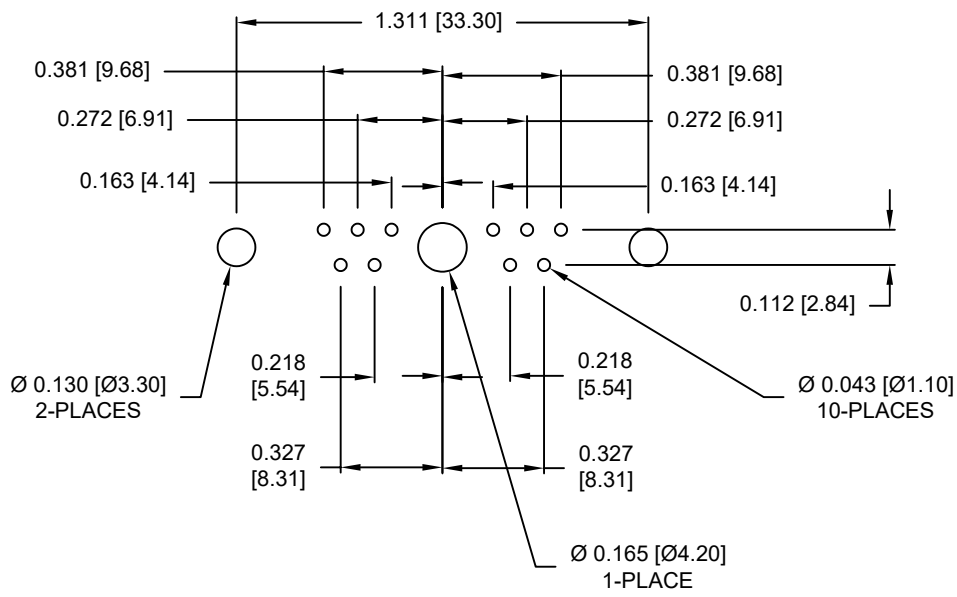
NorComp

SCALE:  
NTS

SHEET OF  
2 4

REV  
3

DWG NO. 681S11W1103LYYY



RECOMMENDED PCB LAYOUT

RoHS COMPLIANT

UNITS = INCHES [MM] DO NOT SCALE FROM DRAWING



THESE DRAWINGS AND SPECIFICATIONS ARE THE PROPERTY OF NorComp AND SHALL NOT BE REPRODUCED, COPIED OR USED AS THE BASIS FOR THE MANUFACTURE OR SALE OF APPARATUS WITHOUT WRITTEN PERMISSION.

DRAWN:  
M. SIGMON

DATE:  
06/11/2013

NorComp

SCALE:  
NTS

SHEET 3 OF 4

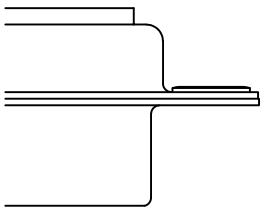
REV 3

DWG NO. 681S11W1103LYYY

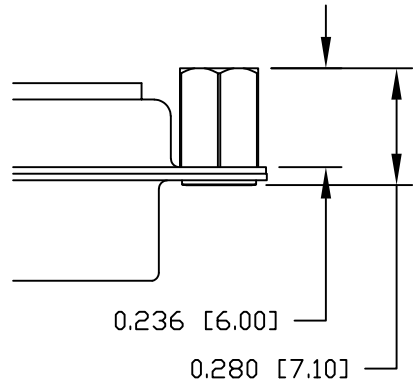
ALL CLINCH-NUTS ARE 4-40 INTERNAL THREADS

TOLERANCE:  
ALL DIMENSIONS ARE ±0.010

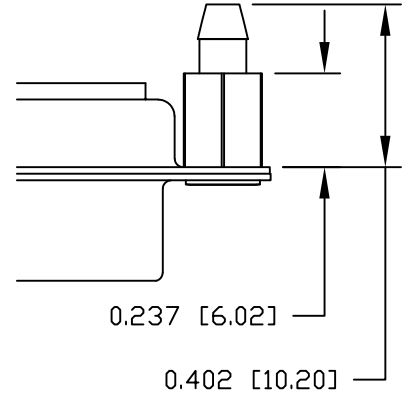
0 ..... NO HARDWARE



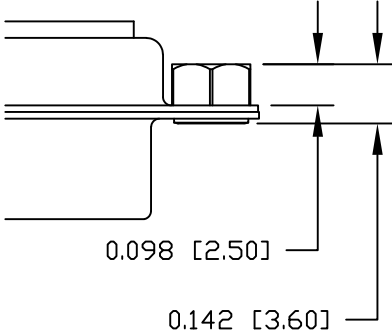
2 ..... 0.236" PCB SIDE



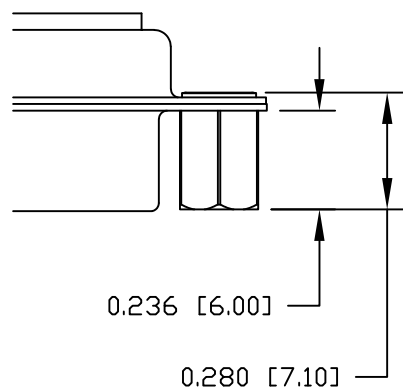
4 ..... 0.237" PCB SIDE



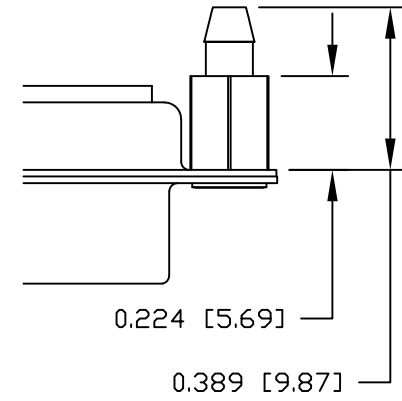
1 ..... 0.098" PCB SIDE



3 ..... 0.236" MATING SIDE



5 ..... 0.224" PCB SIDE



RoHS COMPLIANT

UNITS = INCHES [MM] DO NOT SCALE FROM DRAWING



THESE DRAWINGS AND SPECIFICATIONS ARE THE PROPERTY OF NorComp AND SHALL NOT BE REPRODUCED, COPIED OR USED AS THE BASIS FOR THE MANUFACTURE OR SALE OF APPARATUS WITHOUT WRITTEN PERMISSION.

DRAWN:  
M. SIGMON  
DATE:  
06/11/2013

NorComp

SCALE: NTS	SHEET 4	OF 4	REV 3
DWG NO.		681S11W1103LYYY	