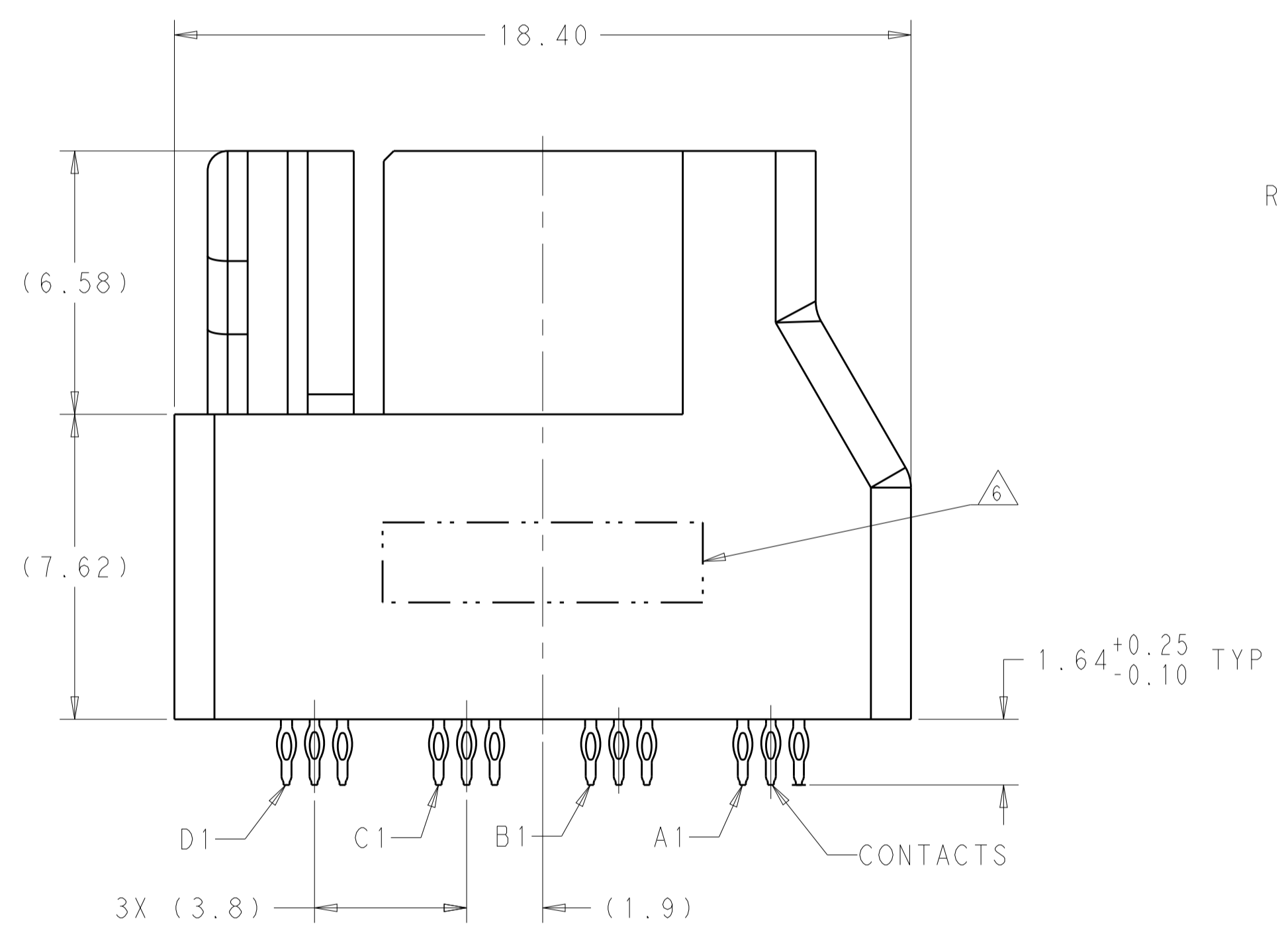
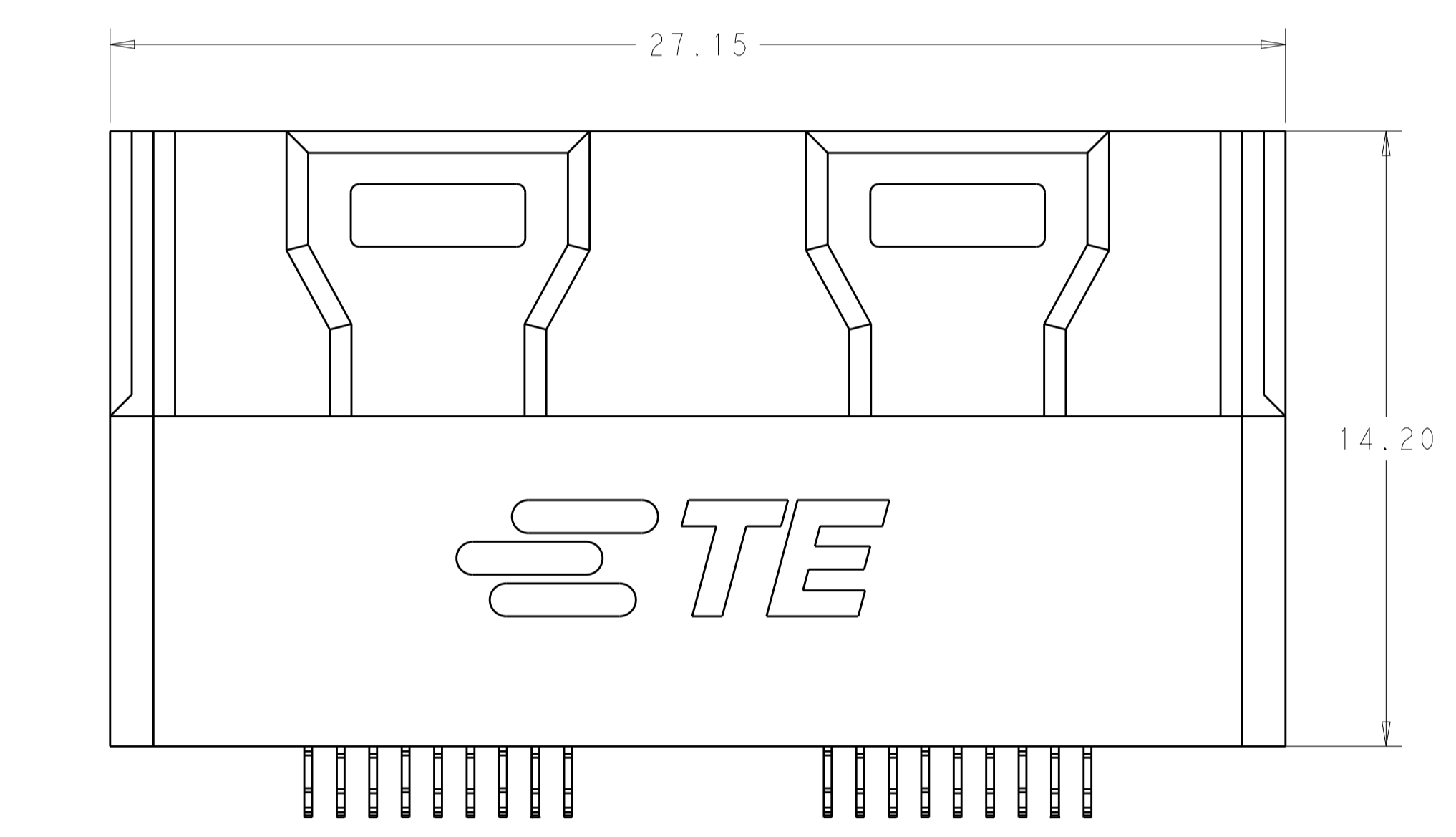
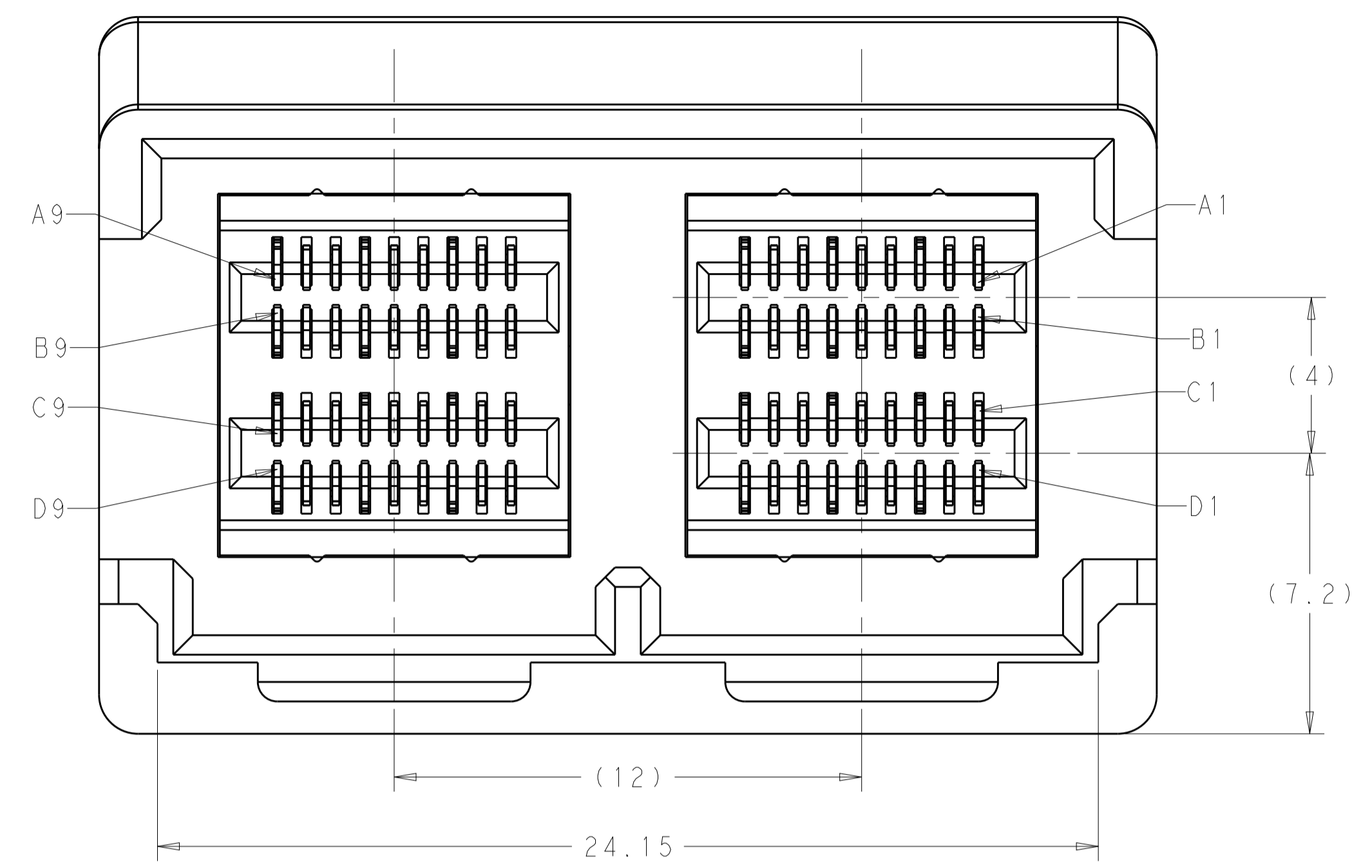
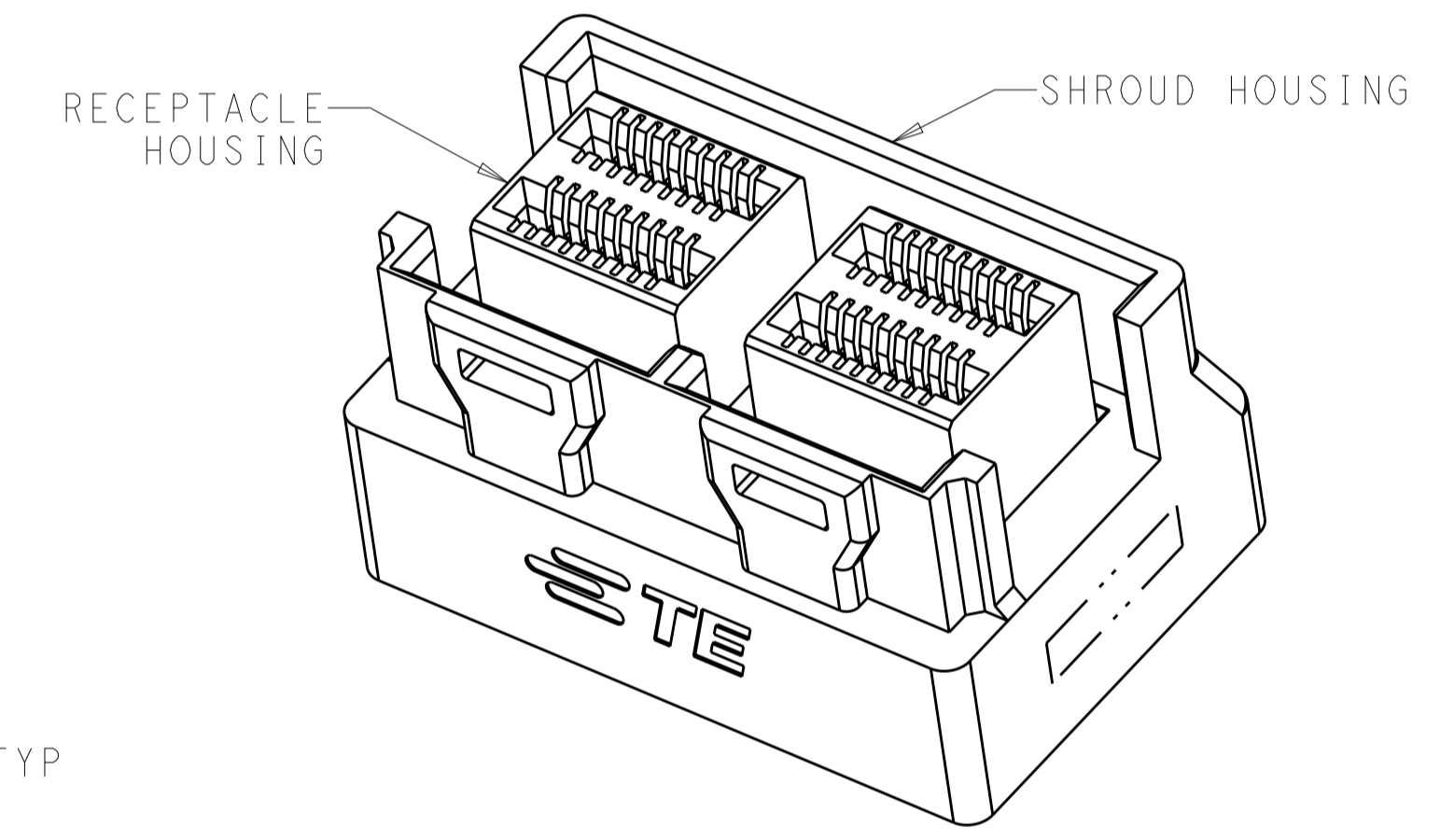


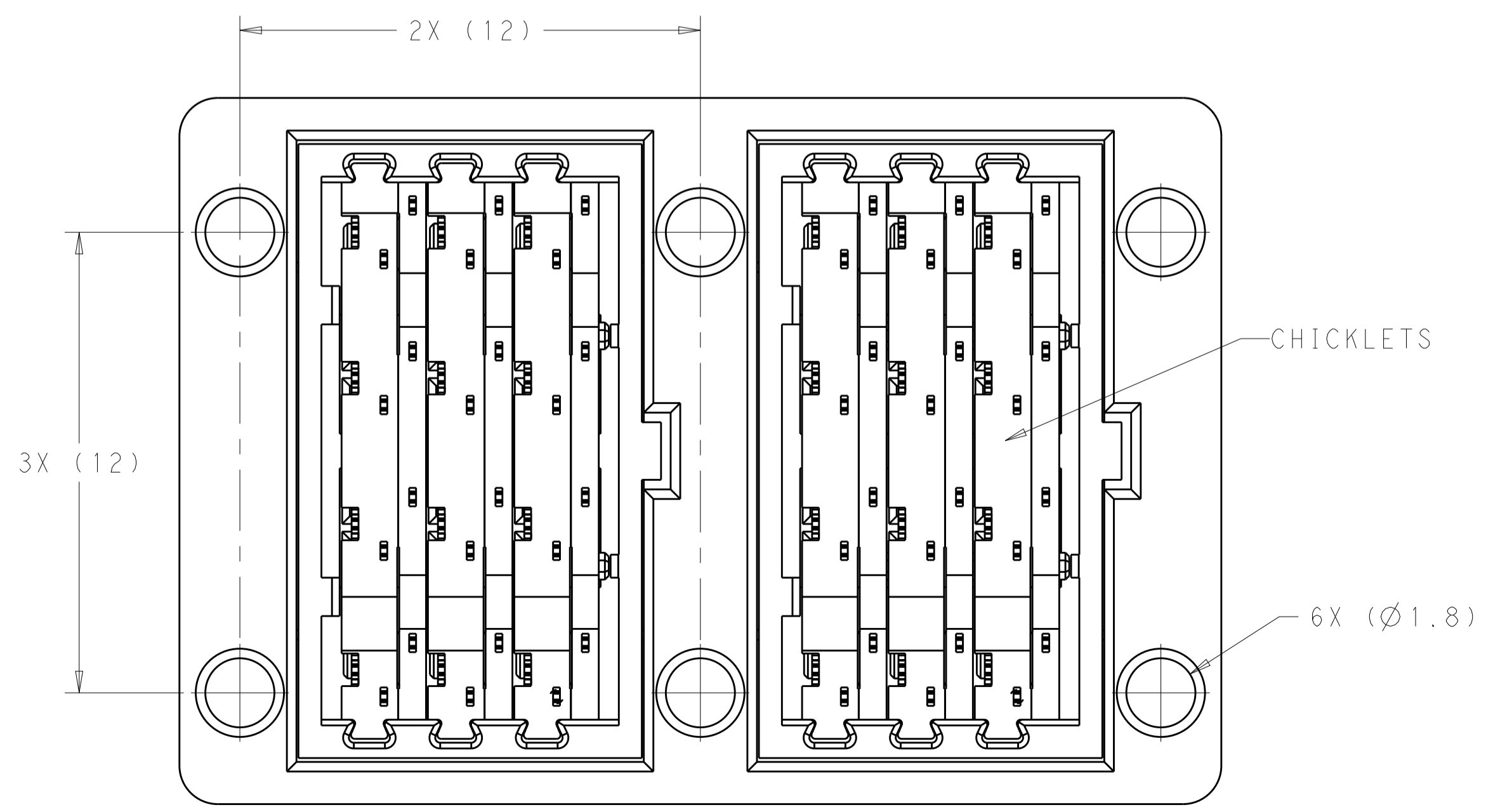
LOC	DIST	REVISIONS			
P	LTN	DESCRIPTION	DATE	DWN	APVD
GP	00	A	REVISED PER ECO-15-000199	13JAN2015	AP DG



- 1. HOUSINGS AND CHICKLETS: LCP, BLACK, UL94V-0 RATED. CONTACTS: COPPER ALLOY.
- 2. CONFORMS TO THE REQUIREMENTS OF TE PRODUCT SPECIFICATION, 108-32038 BASED ON EIA/ECA-364-1000.01A (CONTROLLED ENVIRONMENT APPLICATIONS) ON MATING END. TIN PLATED ON PCB TAIL.
- 3. MATES WITH TE PLUG 2227603-1.
- 4. MOUNTING HARDWARE M2x1.35 SELF-THREADING SCREW. SCREW LENGTH OF FASTENER = PCB THICKNESS + 3.0mm MAX (1.75mm MIN) MOUNTING HARDWARE NOT INCLUDED.
- 5. RECOMMENDED COMPONENT KEEP OUT ZONE.
- 6. PART NUMBER AND DATE CODE MARKED IN APPROXIMATE AREA SHOWN.



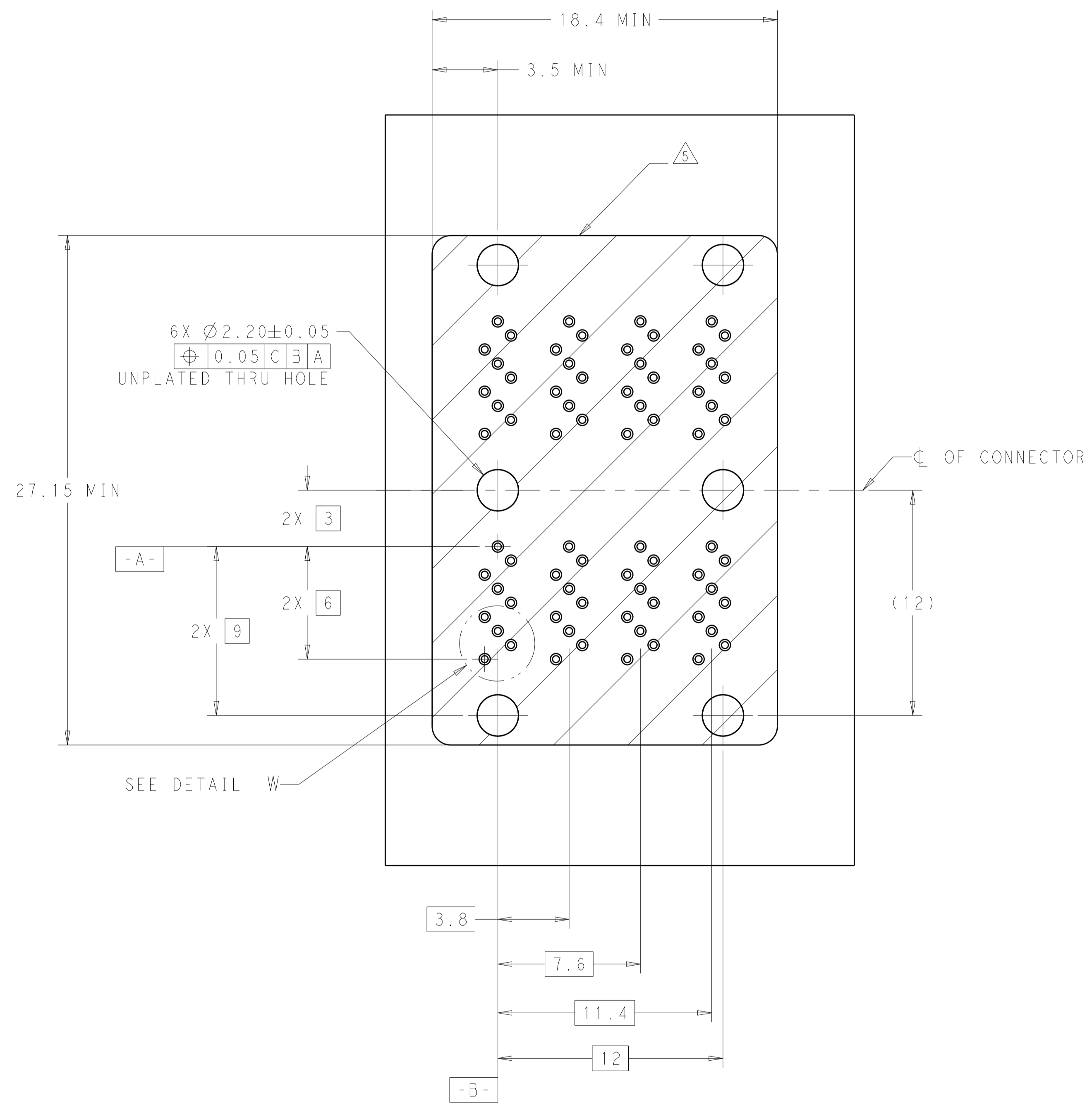
SCALE 4:1



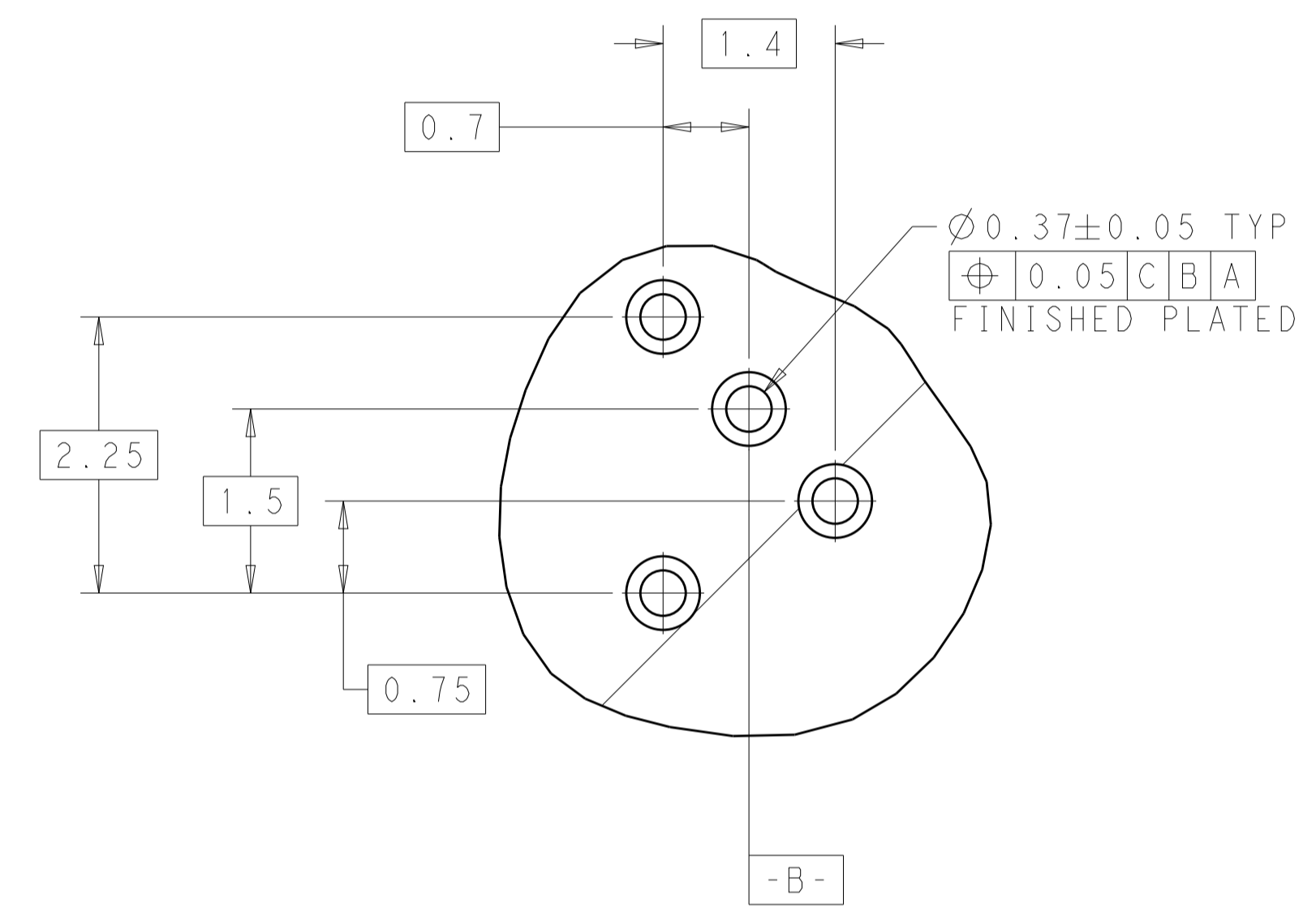
2227640-1  
PART NUMBER

THIS DRAWING IS A CONTROLLED DOCUMENT.		DWN: R. TREA 26DEC2012	TE Connectivity
DIMENSIONS: mm		CHK: R. HENRY 26DEC2012	
TOLERANCES UNLESS OTHERWISE SPECIFIED:		APVD: -	NAME: RECEPTACLE ASSEMBLY, 1X2, VERTICAL, INTERNAL MINI SAS HD
0 PLC ±	1 PLC ±0.10	PRODUCT SPEC: 108-32038	SIZE: A1
2 PLC ±	3 PLC ±	APPLICATION SPEC: 114-32101	CAGE CODE: 2227640
4 PLC ±	ANGLES ±	WEIGHT: -	RESTRICTED TO: -
MATERIAL: -	FINISH: -	CUSTOMER DRAWING	SCALE: 4:1 SHEET 1 OF 2 REV A

LOC		DIST		REVISIONS			
P	LTN	DESCRIPTION	DATE	DWN	APVD		
-	-	SEE SHEET 1	-	-	-		



RECOMMENDED PCB LAYOUT  
 SCALE 6:1



DETAIL W  
 SCALE 20:1

THIS DRAWING IS A CONTROLLED DOCUMENT.		DWN R. IREA 26DEC2012	TE Connectivity	
DIMENSIONS:		CHK R. HENRY 26DEC2012	NAME	
mm	TOLERANCES UNLESS OTHERWISE SPECIFIED:	APVD	PRODUCT SPEC	
	0 PLC ±		108-32038	
	1 PLC ±0.10		APPLICATION SPEC	
	2 PLC ±		SIZE	CAGE CODE DRAWING NO
	3 PLC ±		A1	00779C=2227640
	4 PLC ±		RESTRICTED TO	
	ANGLES ±		SCALE	4:1
MATERIAL	FINISH	WEIGHT	SHEET	2 OF 2
			REV	A
CUSTOMER DRAWING				