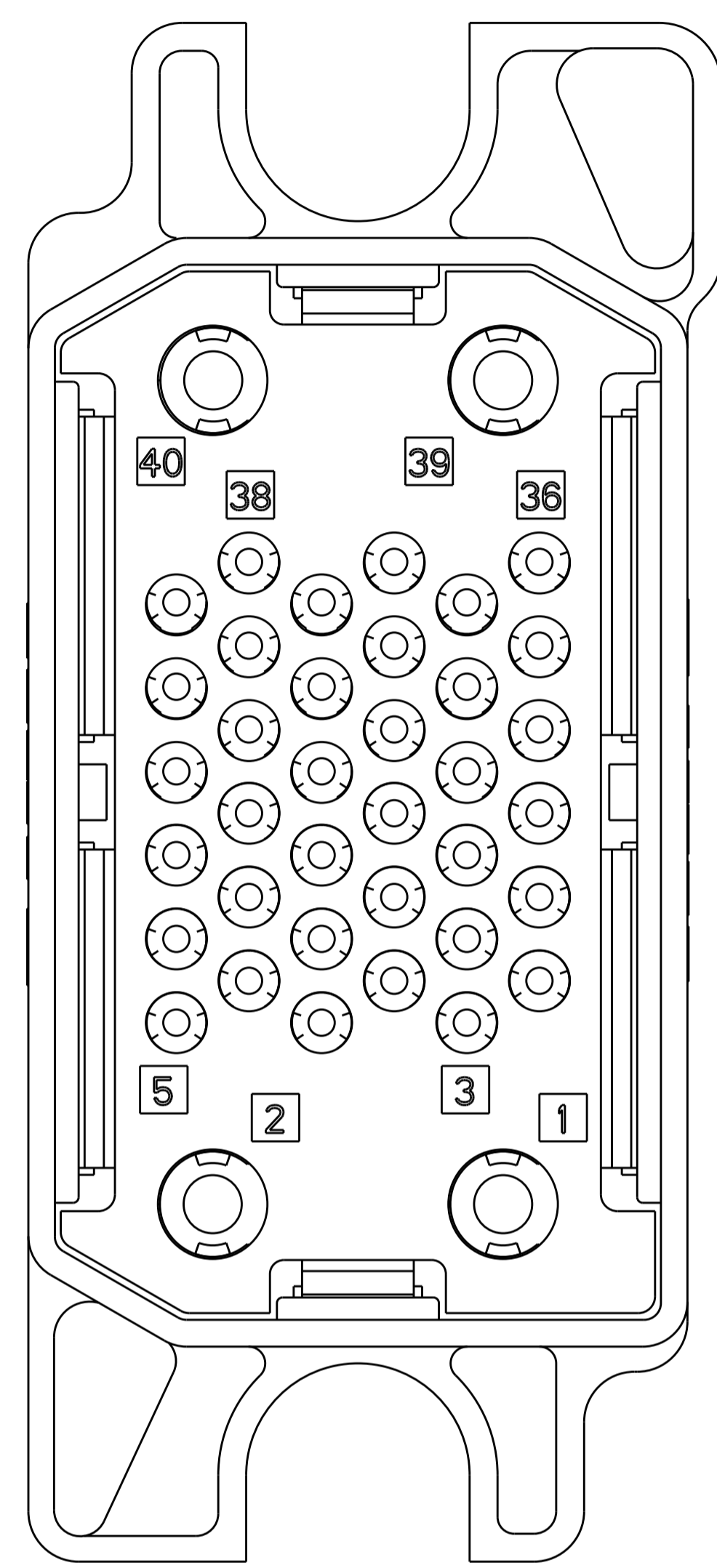
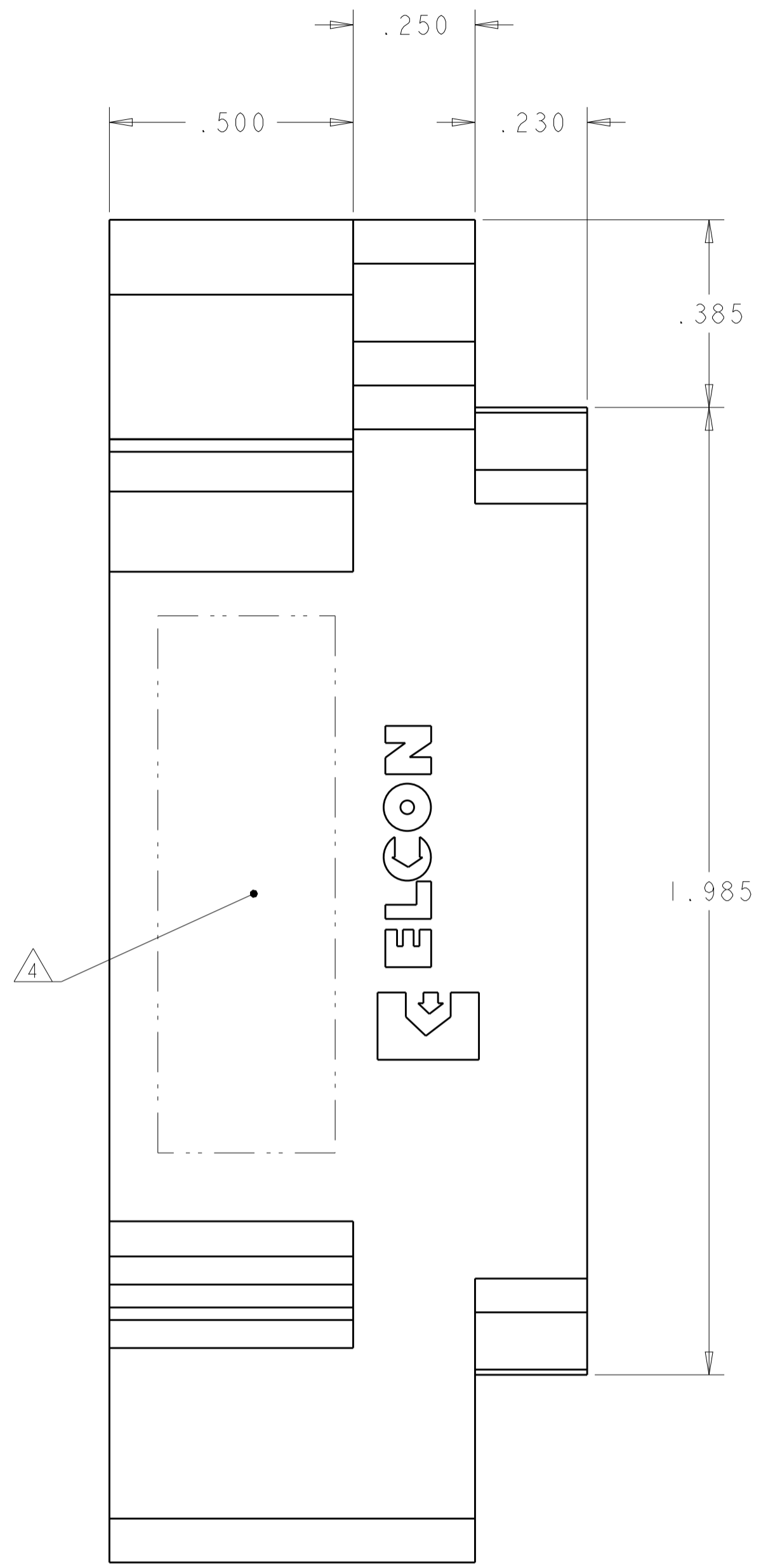
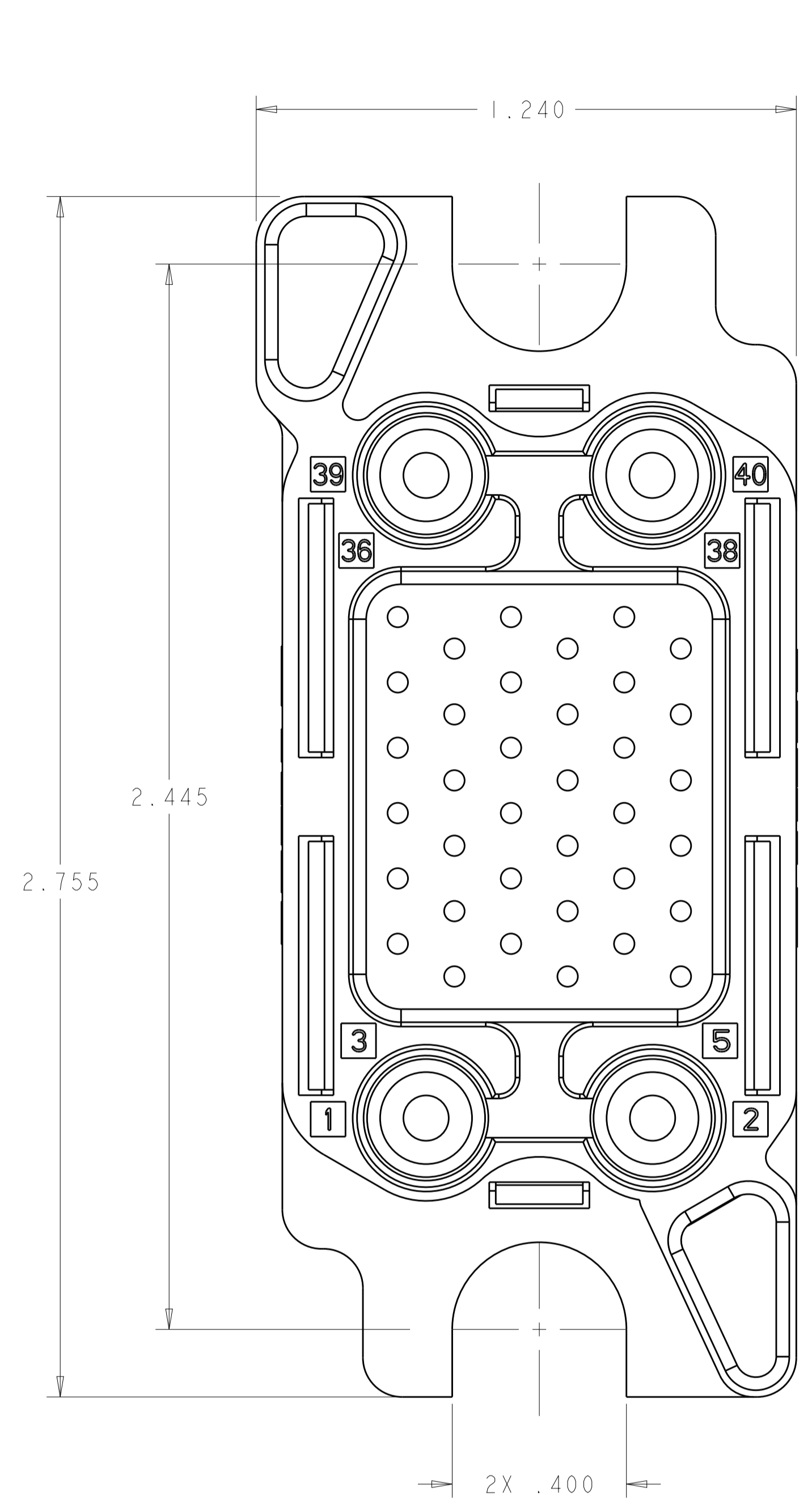


LOC		DIST		REVISIONS			
				DESCRIPTION	DATE	DWN	APVD
	A			RELEASED	09JUL2013	BC	DO



PIN CONTACT SIZE No. 12 (C)
 PIN CONTACT SIZE No. 20 (B)
 PIN CONTACT SIZE No. 12 (C)

- PART NUMBER CHANGES AND OR DESIGN CHANGES AFFECTING THE INTERCHANGEABILITY REQUIRE PRIOR TYCO ELECTRONICS APPROVAL AND AUTHORIZATION BY REVISION TO THIS DRAWING.
- MATERIAL:
 INSULATOR: THERMOPLASTIC, GLASS REINFORCED, FLAMMABILITY RATED, COLOR: BLACK
 PIN CONTACT: COPPER ALLOY
 RETENTION CLIP: BERYLLIUM COPPER OR STAINLESS STEEL
 SHOULDER SCREW: STAINLESS STEEL
- FINISH:
 PIN CONTACT SIZE 20: GOLD PLATE .000010 MIN THK. OVER NICKEL .000050 MIN THK.
 PIN CONTACT SIZE 12: SILVER PLATE .000200 MIN THK. OVER NICKEL .000050 MIN THK.

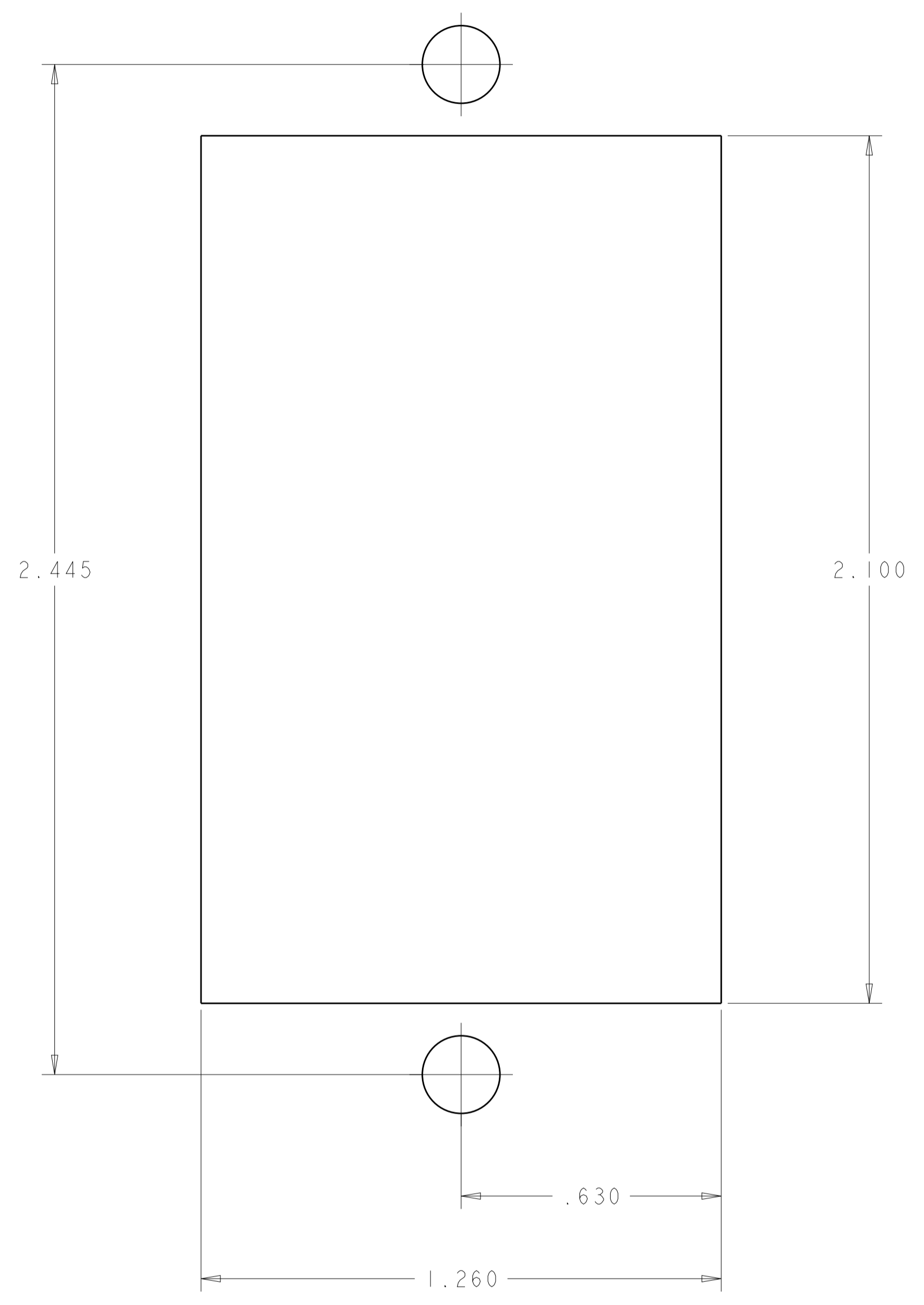
△ ITEMS PROVIDED TO THIS SPECIFICATION TO BE PERMANENTLY IDENTIFIED PER THE FOLLOWING IDENTIFIER:

TYCO ELECTRONICS P/N: XXXXXXX-X
 YEAR WEEK: YEAR 1 WEEK 1
 DATE CODE (e.g. 0216): XXXX

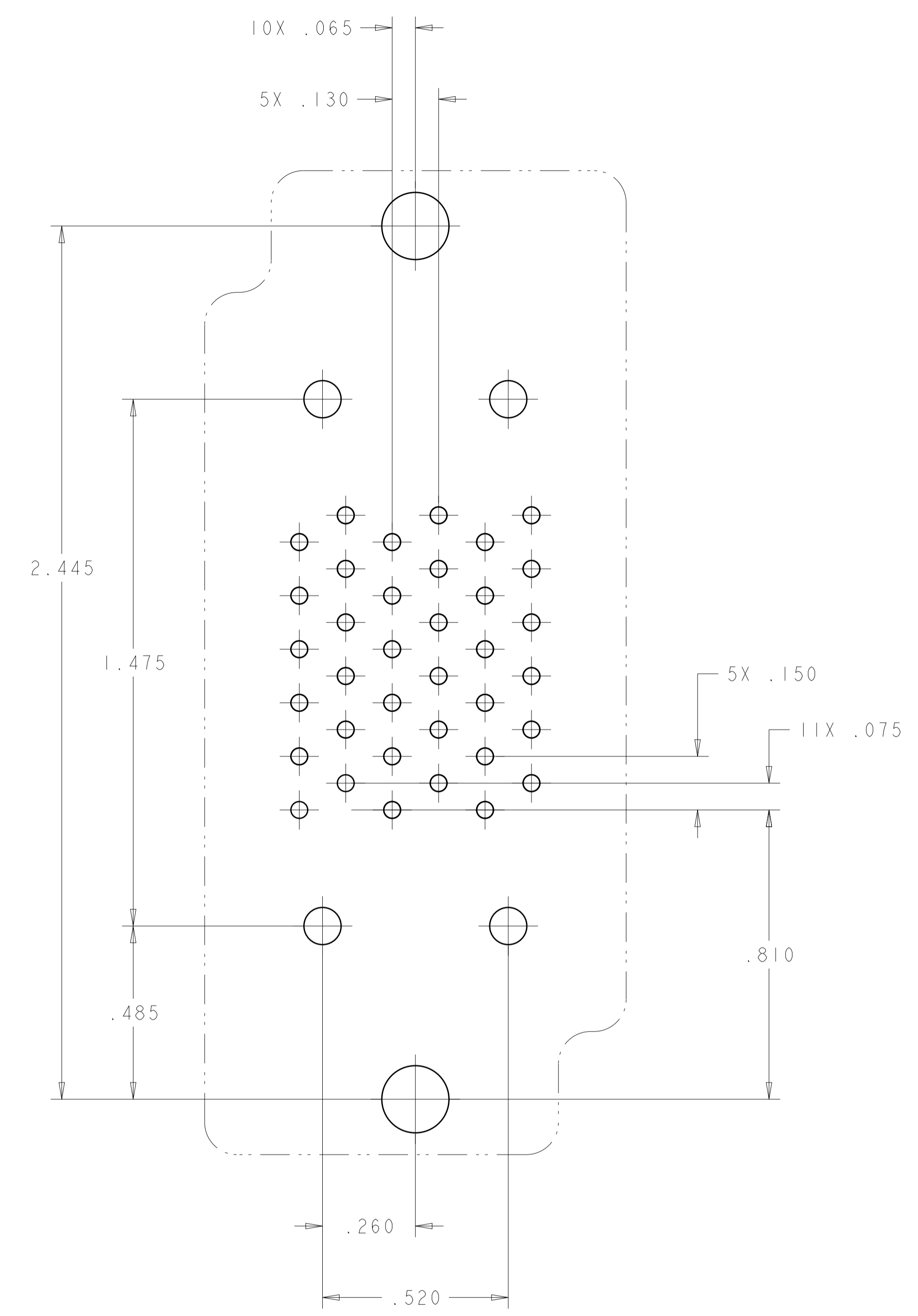
ITEM	PART NUMBER	DESCRIPTION	ITEM
4	1766245-1	CONTACT, PIN, #12, PCB TAIL	C
36	1650283-1	CONTACT, PIN, #20, PCB TAIL	B
1	1648132-2	CONNECTOR, PIN, UNMARKED/NO LABEL	A

THIS DRAWING IS A CONTROLLED DOCUMENT.		DWN: D. ORRIS 18OCT2012	TE Connectivity
DIMENSIONS: INCHES		CHK: D. ORRIS 18OCT2012	
TOLERANCES UNLESS OTHERWISE SPECIFIED:		APVD: D. ORRIS 18OCT2012	NAME: PIN CONNECTOR PCB TAIL SQUARE DRAWER SIZE: CAGE CODE DRAWING NO RESTRICTED TO:
0 PLC ±. 1 PLC ±. 2 PLC ±.02 3 PLC ±.010 4 PLC ±. ANGLES ±. FINISH:		PRODUCT SPEC: APPLICATION SPEC: WEIGHT: CUSTOMER DRAWING	
MATERIAL:		SCALE: 3:1	SHEET 1 OF 2 REV A

LOC		DIST		REVISIONS			
				DESCRIPTION	DATE	DWN	APVD
-	-	-	-	SEE SHEET 1	-	-	-



SUGGESTED PANEL CUTOUT
 VIEWED FROM CONNECTOR MOUNTING SIDE



SUGGESTED PCB CUTOUT
 VIEWED FROM CONNECTOR MOUNTING SIDE

ELCON SQUARE DRAWER

THIS DRAWING IS A CONTROLLED DOCUMENT.		DWN D. ORRIS 18OCT2012	TE Connectivity
DIMENSIONS: INCHES		CHK D. ORRIS 18OCT2012	
TOLERANCES UNLESS OTHERWISE SPECIFIED:		APVD D. ORRIS 18OCT2012	NAME PIN CONNECTOR PCB TAIL SQUARE DRAWER
0 PLC ±	1 PLC ±.02	PRODUCT SPEC	SIZE A100779C=2212081
2 PLC ±.02	3 PLC ±.010	APPLICATION SPEC	RESTRICTED TO
4 PLC ±	ANGLES ±	WEIGHT	SCALE 3:1 SHEET 2 OF 2 REV A
MATERIAL	FINISH	CUSTOMER DRAWING	