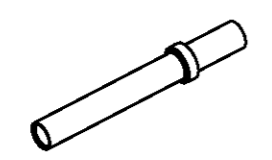
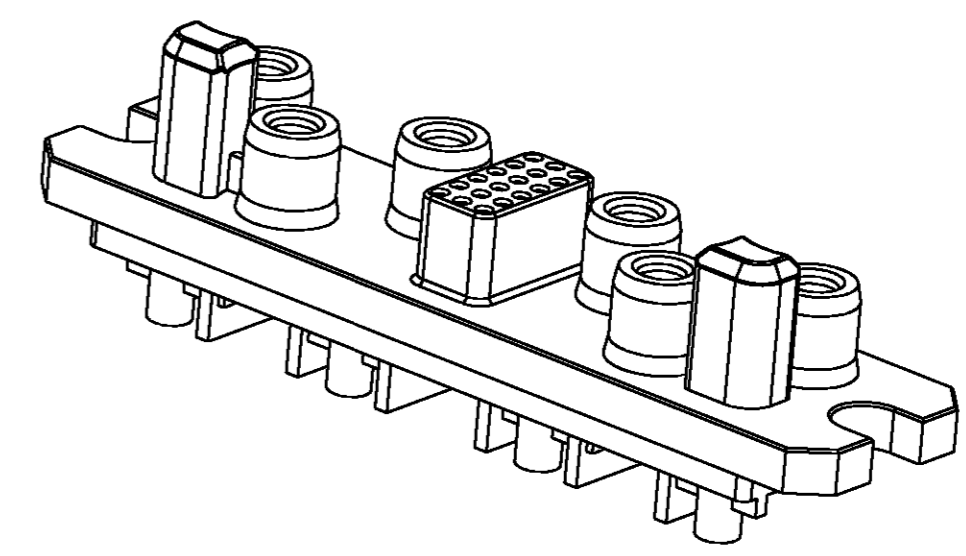


THIS DRAWING IS UNPUBLISHED. RELEASED FOR PUBLICATION 20  
 © COPYRIGHT 20 BY TYCO ELECTRONICS CORPORATION. ALL RIGHTS RESERVED.

LOC	DIST	REVISIONS					
		P	LTR	DESCRIPTION	DATE	DWN	APVD
GP	00		A	NEW RELEASE	25SEP2007	RG	DO



#20 SOCKET CONTACT  
 PN 1648325-1  
 18 POSITIONS AVAILABLE  
 SCALE 2:1



- PART NUMBER CHANGES AND OR DESIGN CHANGES AFFECTING ITEM INTERCHANGEABILITY REQUIRE PRIOR TYCO ELECTRONICS APPROVAL AND AUTHORIZATION BY REVISION TO THIS DRAWING
- MATERIALS:  
 INSULATORS: THERMOPLASTIC, GLASS REINFORCED  
 UL RATED 94V-0 FLAMMABILITY RATED.  
 CONTACTS: COPPER ALLOY BODY WITH BERYLLIUM COPPER CONTACTS  
 RETENTION CLIPS: BERYLLIUM COPPER OR STAINLESS STEEL
- FINISHES:  
 INSULATOR: AS MOLDED, COLOR BLACK (MACHINED, COLOR NATURAL)  
 #20 CONTACTS: GOLD PLATED  
 CROWN BANDS: GOLD PLATED  
 RETENTION CLIPS: CLEANED
- SOCKET CONTACTS USED IN THESE CONNECTORS:  
 #20 SOCKET CONTACTS, CRIMP TERMINATION  
 PN 1648325-1, GOLD PLATED  
 ALL CRIMP CONTACTS ARE PACKAGED SEPARATELY AND SHIPPED WITH THE CONNECTOR ASSEMBLY AS A KIT.
- OUTLINE SPECIFICATION  
 SIZE #20 CONTACTS, 4 AMPS EACH, 250V  
 POLARIZED INTEGRAL CONNECTOR GUIDE POSTS WITH ±1.3 (.05) GATHERABILITY WHEN USED WITH TYCO RECOMMENDED FLOAT MOUNT SCREW.  
 STRAIGHT CONNECTOR CONFIGURATION, PANEL MOUNT
- A REFERENCE DIMENSION (X.XX) IS WITHOUT TOLERANCE AND USED FOR INFORMATION ONLY.

⚠ ITEMS PROVIDED TO THIS SPECIFICATION TO BE PERMANENTLY IDENTIFIED PER THE FOLLOWING IDENTIFIER:

TYCO ELECTRONICS P/N DATE CODE YEAR WEEK  
 (e.g. 0225)

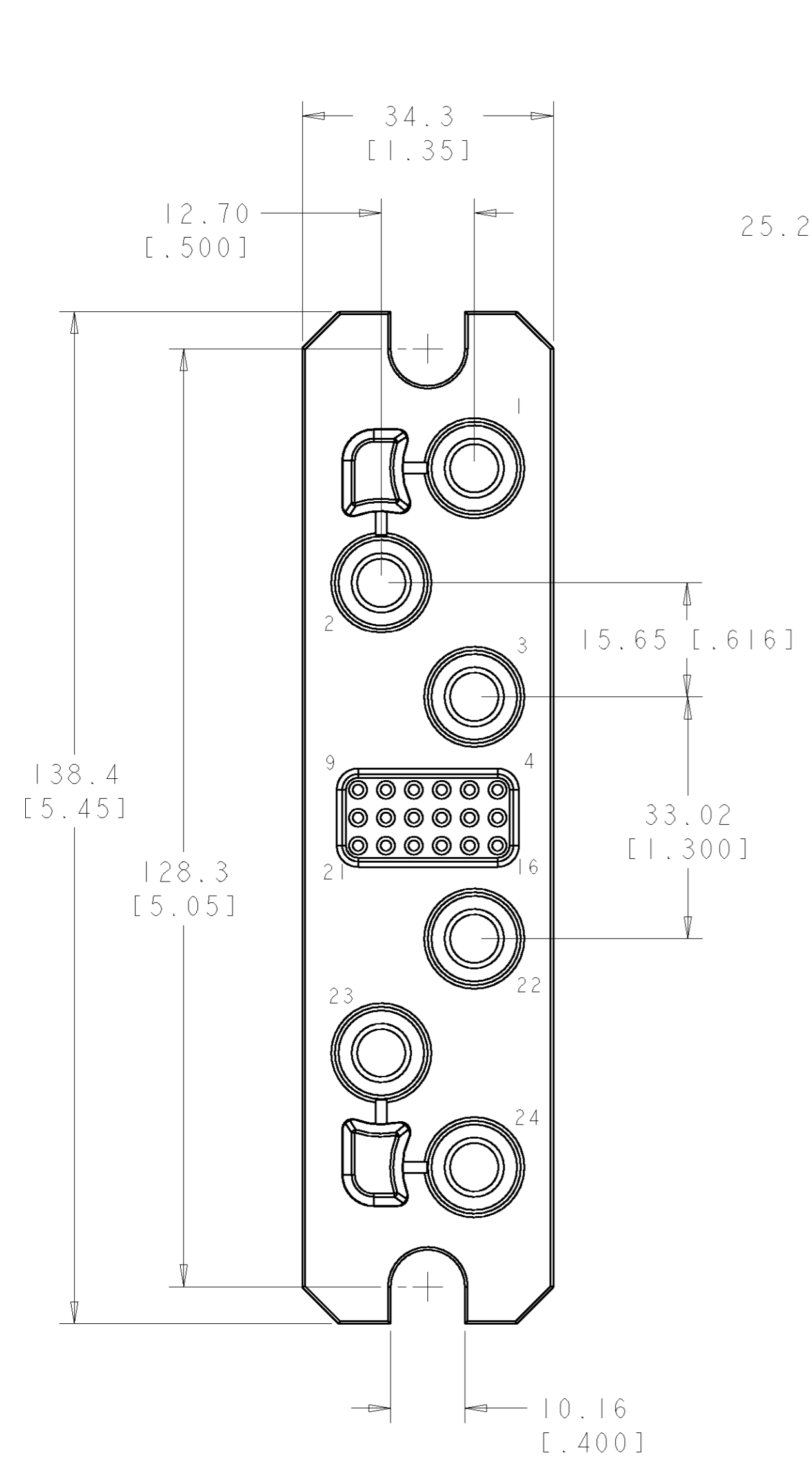
XXXXXXXX-X XXXX

**ELCON P6S18 CUSTOM DRAWER**

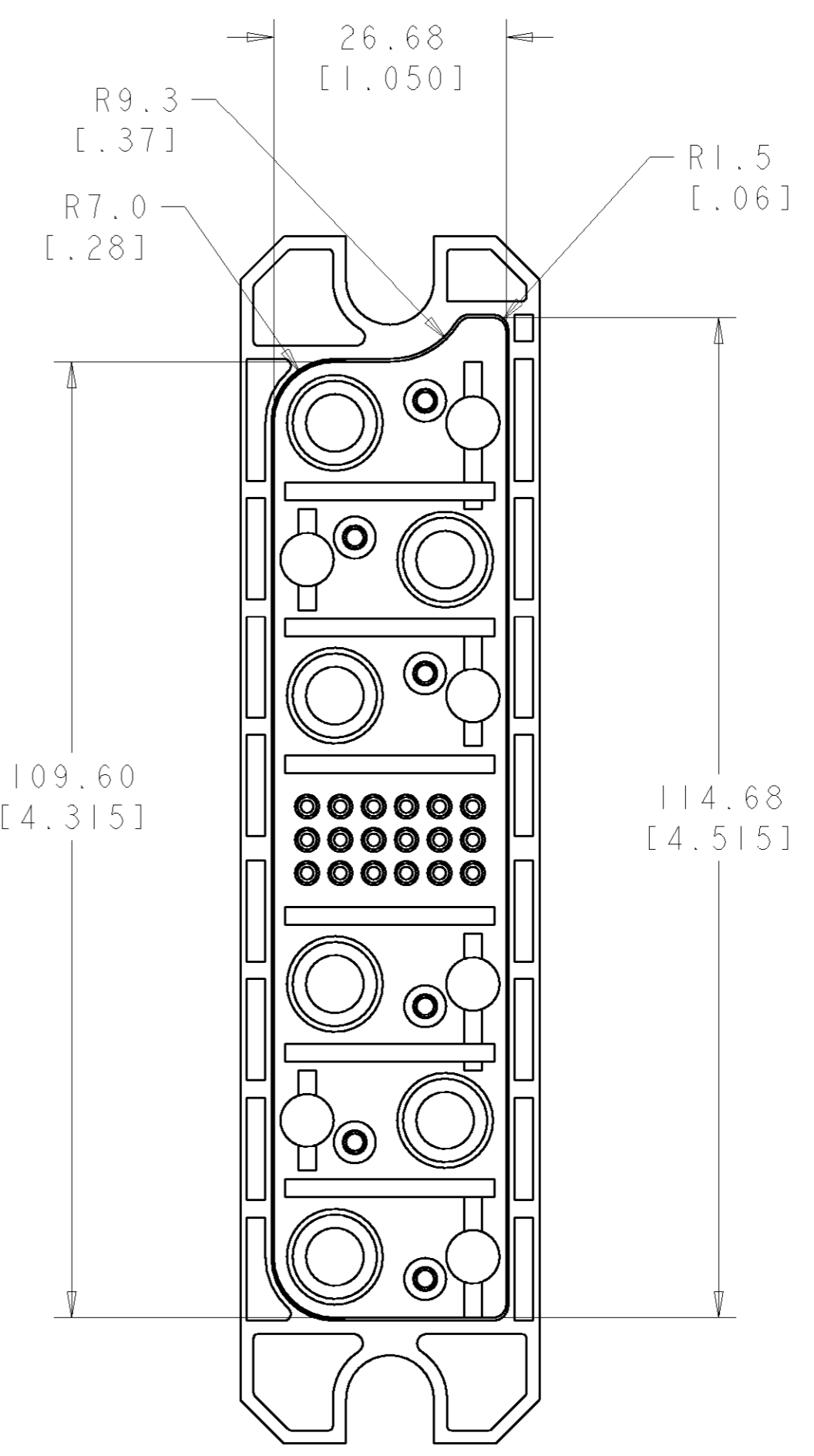
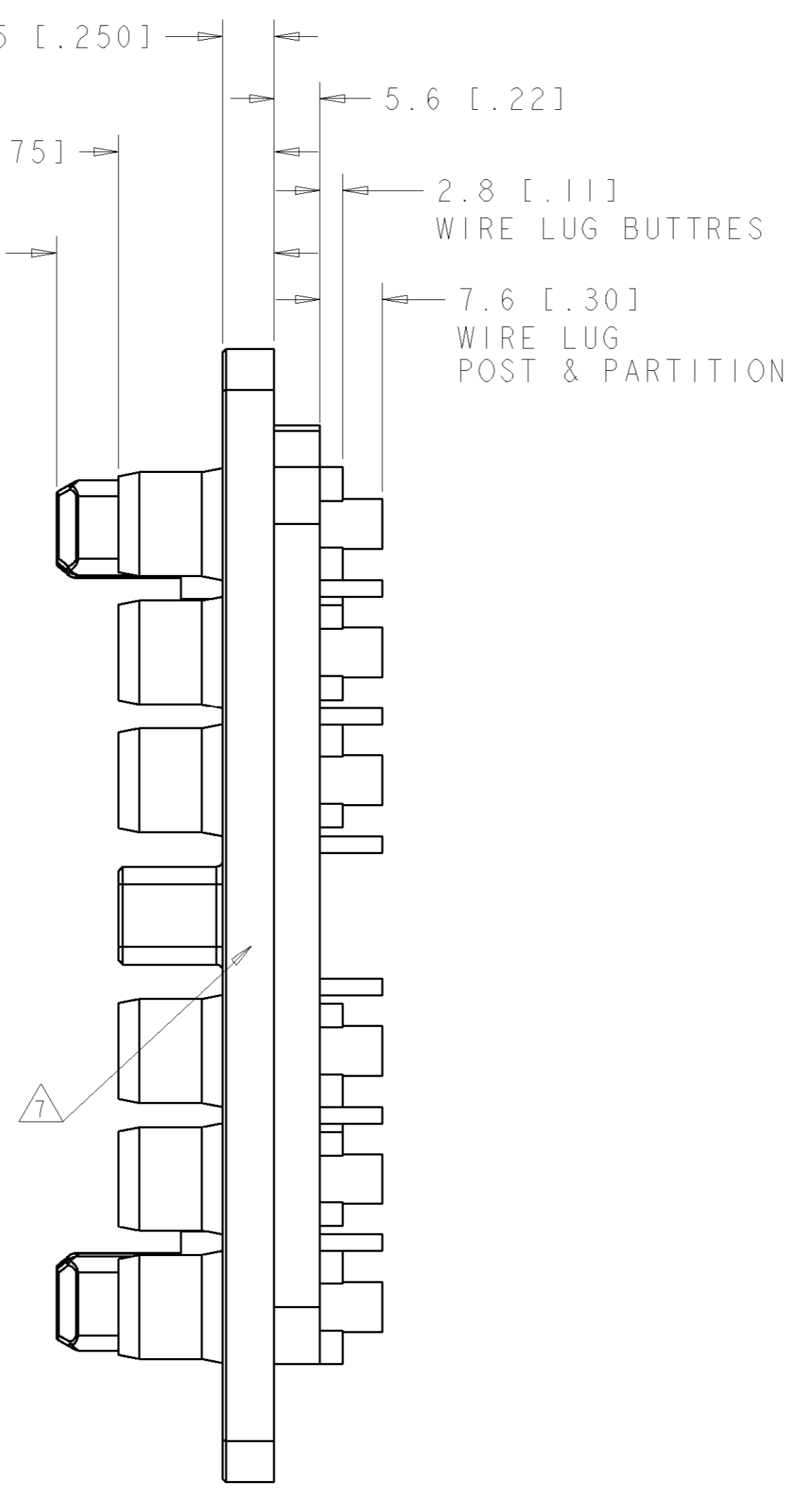
<small>THIS DRAWING IS A CONTROLLED DOCUMENT FOR TYCO ELECTRONICS CORPORATION IT IS SUBJECT TO CHANGE AND THE CONTROLLING ENGINEERING ORGANIZATION SHOULD BE CONTACTED FOR THE LATEST REVISION.</small>		DWN R.GRZYBOWSKI 6SEPT07 CHK D.ORRIS 6SEPT07 APVD S.FLICKINGER 6SEPT07	<b>tyco</b> Tyco Electronics <b>Electronics</b> Harrisburg, PA 17105-3608
DIMENSIONS: mm [ INCHES ]	TOLERANCES UNLESS OTHERWISE SPECIFIED: 0 PLC ± 1 PLC ±0.5 [ .02 ] 2 PLC ±0.25 [ .010 ] 3 PLC ± 4 PLC ± ANGLES ±2 FINISH	PRODUCT SPEC - APPLICATION SPEC - WEIGHT -	NAME CONNECTOR, SOCKET CUSTOM DRAWER SIZE CAGE CODE DRAWING NO RESTRICTED TO A200779 C-1926605 -
MATERIAL -		CUSTOMER DRAWING	SCALE 1:1 SHEET 1 OF 2 REV A

THIS DRAWING IS UNPUBLISHED. RELEASED FOR PUBLICATION 20  
 © COPYRIGHT 20 BY TYCO ELECTRONICS CORPORATION. ALL RIGHTS RESERVED.

LOC	DIST	REVISIONS					
GP	00	P	LTR	DESCRIPTION	DATE	DWN	APVD
		-		SEE SHEET 1			



CONNECTOR TOP VIEW



<small>THIS DRAWING IS A CONTROLLED DOCUMENT FOR TYCO ELECTRONICS CORPORATION          IT IS SUBJECT TO CHANGE AND THE CONTROLLING ENGINEERING ORGANIZATION          SHOULD BE CONTACTED FOR THE LATEST REVISION.</small>		DWN R.GRZYBOWSKI 6SEPT07 CHK D.ORRIS 6SEPT07 APVD S.FLICKINGER 6SEPT07	<b>tyco</b> Tyco Electronics <b>Electronics</b> Harrisburg, PA 17105-3608
DIMENSIONS: mm [INCHES]	TOLERANCES UNLESS OTHERWISE SPECIFIED: 0 PLC ± 1 PLC ±0.5 [0.02] 2 PLC ±0.25 [0.010] 3 PLC ± 4 PLC ± ANGLES ±2 FINISH	NAME CONNECTOR, SOCKET CUSTOM DRAWER PRODUCT SPEC - APPLICATION SPEC - WEIGHT -	SIZE A2 CAGE CODE 00779 DRAWING NO. C-1926605 RESTRICTED TO -
MATERIAL		CUSTOMER DRAWING	SCALE 1:1 SHEET 2 OF 2 REV A