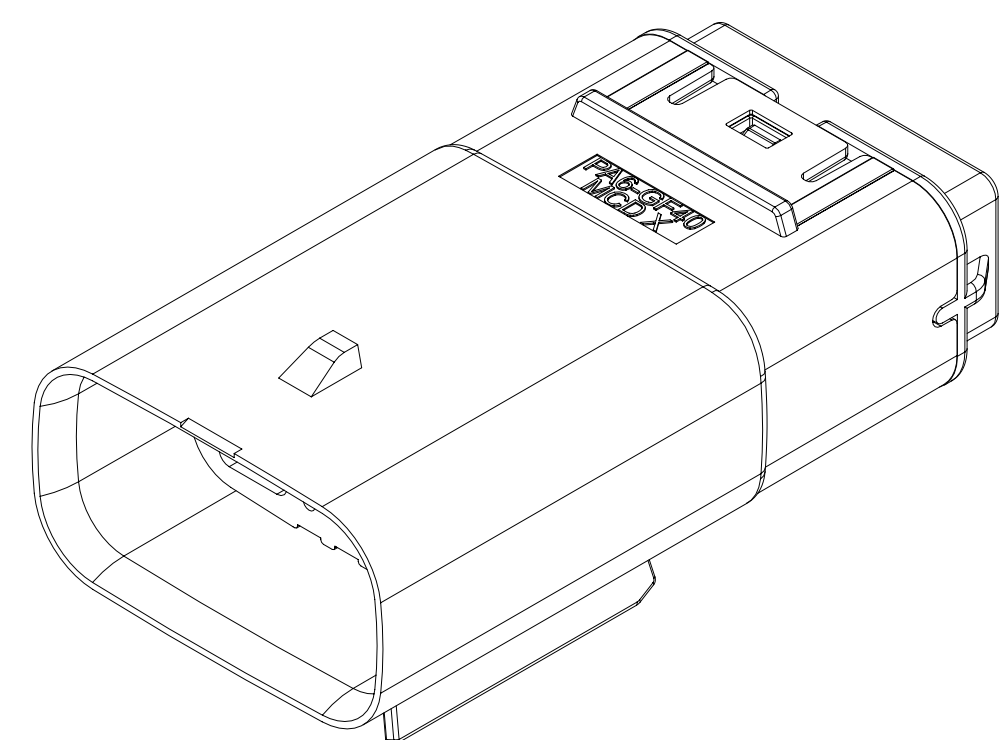
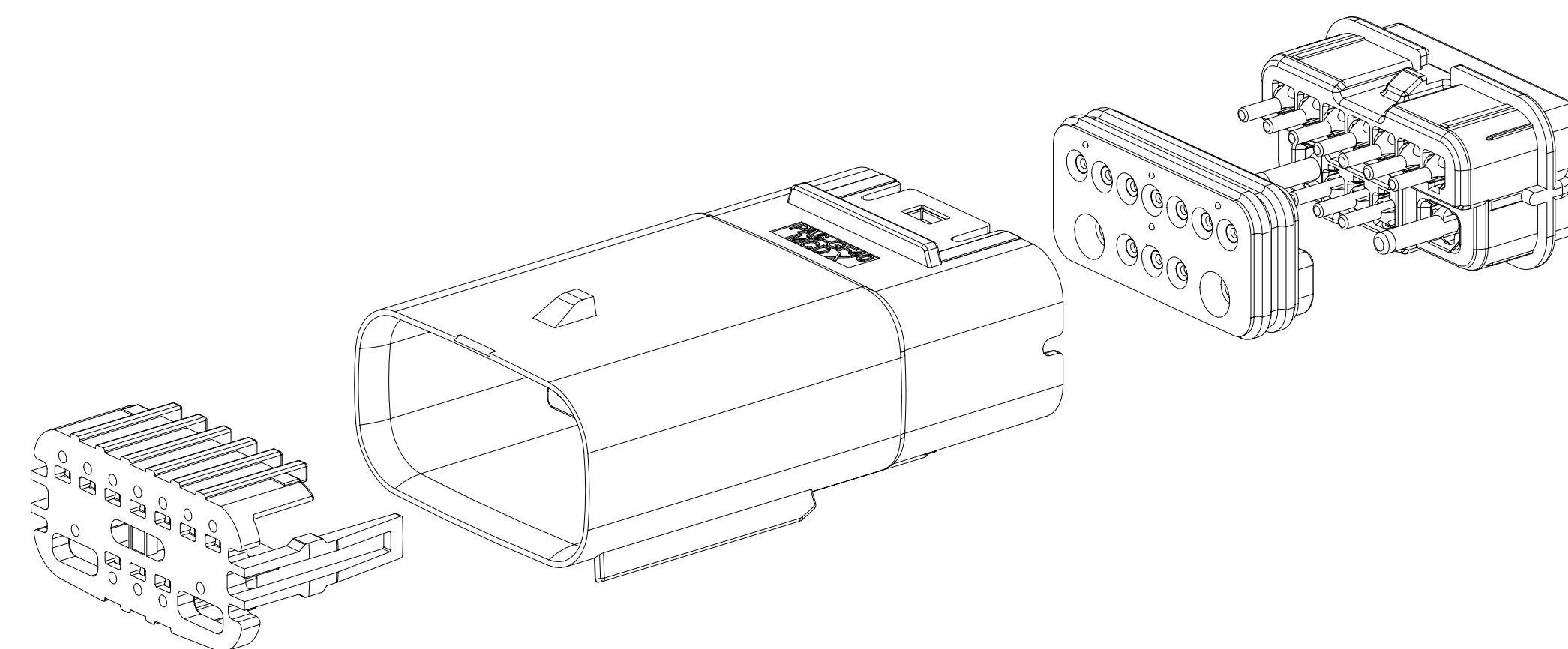


TABLE OF CONTENTS	
SHEET NO.	SHEET DESCRIPTION
1	NOTES
2	CONFIGURATIONS
3	KEY CONFIGURATIONS
4	BLADE CONNECTOR ASSEMBLY
5	SYSTEM PACKAGING
6	12W HYBRID CONNECTOR BOM

DESCRIPTION	PACKAGING DRAWING NO.	MATING INTERFACE/CONNECTOR DRAWINGS	
		INTERFACE DEFINITION	MOLEX INLINE
12W HYBRID	RPK-1601129000	SD-1601110000	SD-1601110000



12W HYBRID



NOTES: VALID UNLESS OTHERWISE SPECIFIED

1. GENERAL:

- 1.1 APPLICATION SPECIFICATION SEE: 1601110001-AS
 - CONTAINS: PRODUCT INTRODUCTION, PRODUCT SUMMARY, CONNECTOR ASSEMBLY, PACKAGING INFORMATION, CONNECTOR MATING, SERVICE INSTRUCTIONS, ELECTRICAL CONTINUITY CHECKING, CRIMPING, AND TROUBLE SHOOTING.
 - DESIGNED TO MATE WITH DEVICE OR CONNECTOR AS SPECIFIED IN THE MATING INTERFACE/CONNECTOR DRAWINGS CHART.
 - *DENOTES DRAWINGS THAT CAN BE ACCESSED AT [http://ewcap.uscarteams.org/]
 - ASSEMBLY SHIPPED WITH THE FOLLOWING PARTS IN PRE-LOCK POSITION (PLR, CPA, ISL, LEVEL. SEE PRE-LOCK VIEW ON SHEET X).
- 1.2 PRODUCT SPECIFICATION SEE: 1601110001-PS
 - CONTAINS: SCOPE, PRODUCT DESCRIPTION, INTEGRAL COMPONENTS AND ACCESSORIES, APPLICABLE DOCUMENTS AND SPECIFICATIONS, RATINGS, PERFORMANCE, PACKAGING, GAUGES AND FIXTURES, AND OTHER INFORMATION.
- 1.3 PACKAGING SPECIFICATION PER MOLEX DRAWING: SEE TABLE
- 1.4 PARTS MUST BE IN COMPLIANCE TO MOLEX CHEMICAL SUBSTANCES FOR PRODUCTS AND PACKAGING SPECIFICATION: QEHS-699000-300
- 1.5 DATA MUST BE SUBMITTED UNDER THE MOLEX PART NUMBER TO IMDS (COMPANY ID#13255)

2. DESIGN - MATERIALS:

- 2.1 SEE BOM TABLE

3. DESIGN - GEOMETRY:

- 3.1 THE 3-D CAD DATA IS BASIC (WITHOUT TOLERANCE) AND MUST BE TAKEN FROM THE DATA FILE AT ITS LATEST REVISION.
 - 3.2 THE 3-D CAD DATA IS MASTER FOR THIS PART AND IS TO BE USED TO ESTABLISH DIMENSIONAL INFORMATION NOT SHOWN ON THIS DRAWING. ANY DIMENSIONS UNDERLINED INDICATE A CONFLICT WITH THE MODEL.
 - 3.3 PRODUCT DESIGN MODEL NUMBER(S): SEE BOM TABLE
 - 3.4 GEOMETRIC DIMENSIONS AND TOLERANCES PER ASME Y14.5M-2009
 - 3.5 EDGES OF UNDEFINED SHAPE PER ISO 13715
 - 3.6 CORNERS SHOWN AS SHARP TO BE R 0.2 MAX
 - 3.7 LETTERING SHALL BE 0.15 MAX RAISED IN 0.25 MAX RECESS PAD.
THIS INCLUDES RECYCLING CODE, CAVITY ID, VENDOR IDENTIFICATION, AND CUSTOMER MATERIAL NUMBER.
 - 3.8 VISUAL DEFECTS SHALL MEET COSMETIC STANDARD PS-45499-002 (CLASS B).
 - 3.7 LASER MARKING
 - 1. PART NUMBER
 - 2. DAY OF THE YEAR
 - 3. SHIFT
 - 4. YEAR
- FOR ADDITIONAL INFORMATION SEE SECTION 5 UNDER PROCEDURES IN ES-34735-008.

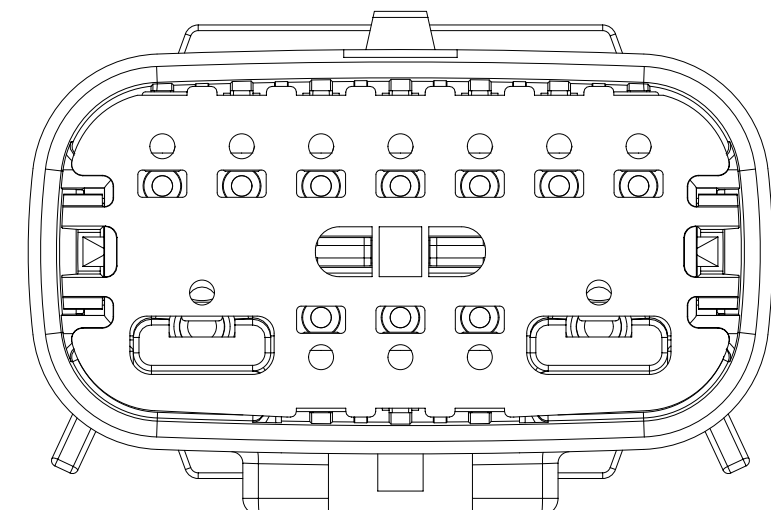
D7	ADD NEW PN 160112-6047
D6	ADD NEW PN 160112-6046
D5	ADD NEW PN 160112-6045
D4	ADD NEW PN 160112-6044
D3	ADD NEW PN 160112-6043
D2	ADD NEW PN 160112-6042
D1	ADD NEW PN 160112-6041
D	ADD NEW PN 160112-6039 AND 160112-6040
C2	UPDATED NOTES
C1	CHANGE DOCUMENT TYPE FROM RSD TO SD
C	ADD NEW PN 160112-6030 THRU 6038
B	UPDATED INFORMATION TO PRODUCTION LEVEL
A2	ADDED NEW PN. 160112-6023 160112-6024 160112-6025 160112-6026 160112-6027 160112-6028 160112-6029
A1	ADDED NEW PN. 160112-6022

INSPECTION NUMBER LOG	
A	INITIAL RELEASE
REV	REV DESCRIPTION

FUNCTIONAL SYMBOLS	THIS DRAWING CONTAINS INFORMATION THAT IS PROPRIETARY TO MOLEX ELECTRONIC TECHNOLOGIES, LLC AND SHOULD NOT BE USED WITHOUT WRITTEN PERMISSION		CURRENT REV DESC: SEE REVISION TABLE	
$F_A = 0$	DIMENSION UNITS	SCALE	PHASE: Design Production CO NO: CO-00000522 DRWN: Srikanth CV 2022-02-16 CHK'D: Chaitra D 2022-02-17 APPR: Gurunandan GA 2022-02-17 INITIAL REVISION: DRWN: Srikanth CV 2022-02-16 APPR: Gurunandan GA 2022-02-17	
$F_C = 0$	mm	2:1		
$F_P = 0$	GENERAL TOLERANCES (UNLESS SPECIFIED)			
DIVISIONAL SYMBOLS	ANGULAR TOL	$\pm 0.5^\circ$	MATERIAL NUMBER 1601120000 CUSTOMER CHARTED SHEET NUMBER 1 OF 6	
SEE NOTES	4 PLACES	± 0.0000		
	3 PLACES	± 0.0000		
	2 PLACES	± 0.000		
	1 PLACE	± 0.00	DOCUMENT NUMBER	
	0 PLACES	± 0.00	DOC TYPE	
	DRAFT WHERE APPLICABLE MUST REMAIN WITHIN DIMENSIONS		DOC PART	
	THIRD ANGLE PROJECTION		REVISION	
	DRAWING		PSD 000 D7	
	SERIES		1601120000	
	D-SIZE 160112		1601120000	

SHEET DESCRIPTION

CONFIGURATIONS



12W HYBRID

FUNCTIONAL SYMBOLS	THIS DRAWING CONTAINS INFORMATION THAT IS PROPRIETARY TO MOLEX ELECTRONIC TECHNOLOGIES, LLC AND SHOULD NOT BE USED WITHOUT WRITTEN PERMISSION		
	DIMENSION UNITS	SCALE	CURRENT REV DESC: SEE REVISION TABLE
$\nabla_A = 0$	mm	2:1	PHASE: Design Production CO NO: CO-00000522
$\nabla_C = 0$	GENERAL TOLERANCES (UNLESS SPECIFIED)		
$\nabla_P = 0$	ANGULAR TOL $\pm 0.5^\circ$		DRWN: Srikanth CV 2022-02-16
DIVISIONAL SYMBOLS	4 PLACES	± 0.0000	CHK'D: Chaitra D 2022-02-17
	3 PLACES	± 0.0000	APPR: Gurunandan GA 2022-02-17
	2 PLACES	± 0.000	INITIAL REVISION:
	1 PLACE	± 0.00	DRWN: Srikanth CV 2022-02-16
	0 PLACES	± 0.00	APPR: Gurunandan GA 2022-02-17
DRAFT WHERE APPLICABLE MUST REMAIN WITHIN DIMENSIONS		THIRD ANGLE PROJECTION	DRAWING
			SERIES
			MATERIAL NUMBER
		D-SIZE	CUSTOMER
		160112	CHARTED
			DOCUMENT NUMBER
			DOC TYPE DOC PART REVISION
			1601120000 PSD 000 D7
			SHEET NUMBER
			2 OF 6

molex

MX150 HYBRID MAT SEAL BLD CONN ASM SALES

PRODUCT SALES DRAWING

DOCUMENT NUMBER | DOC TYPE | DOC PART | REVISION

1601120000

PSD | 000 | D7

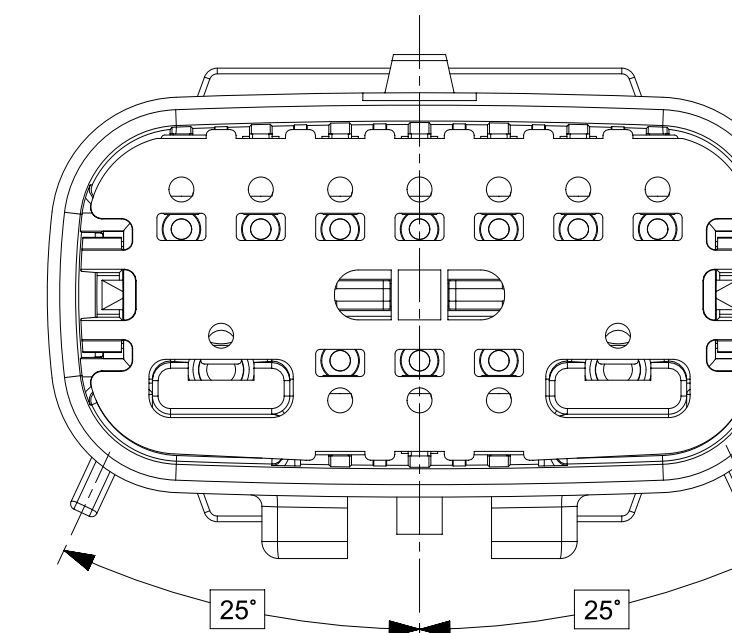
MATERIAL NUMBER | CUSTOMER

CHARTED

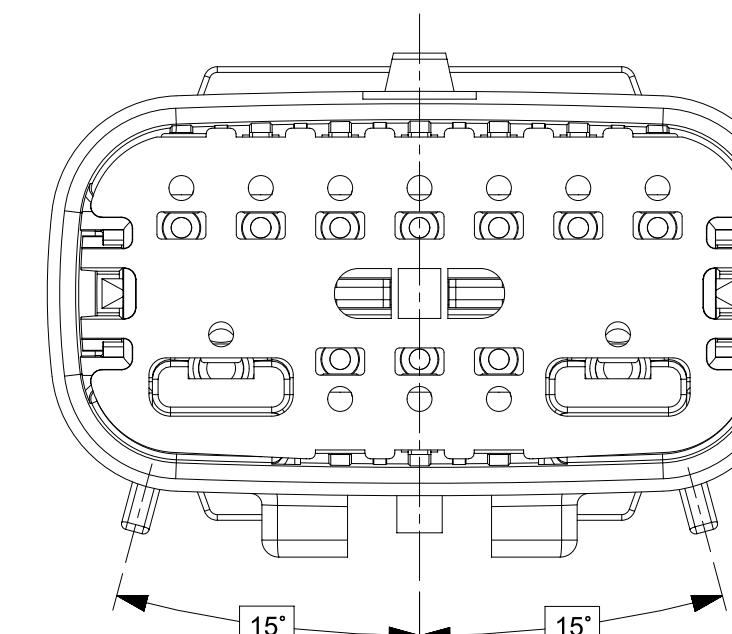
SHEET NUMBER

2 OF 6

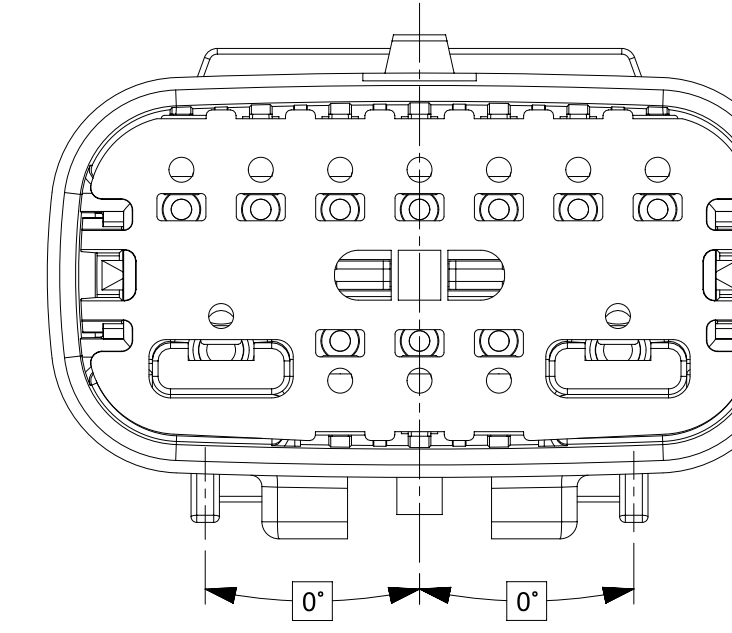
12W HYBRID



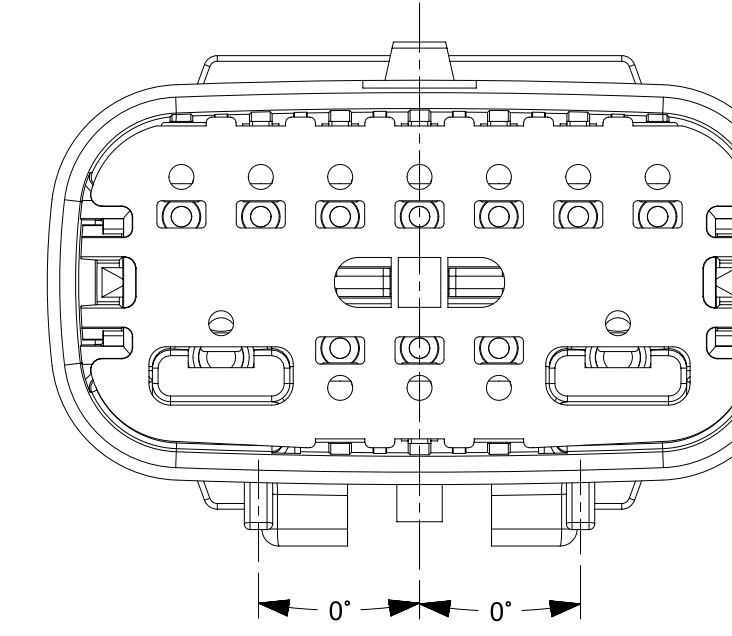
KEY A



KEY B



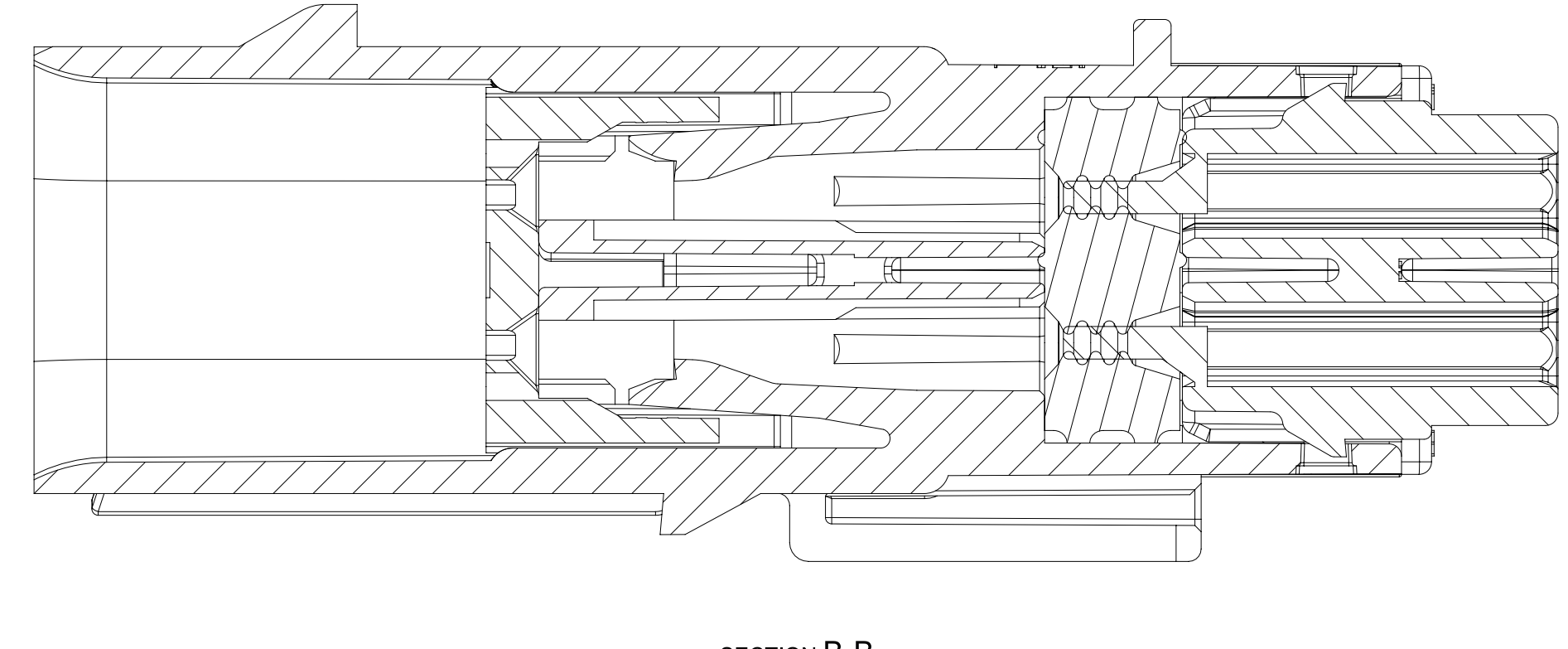
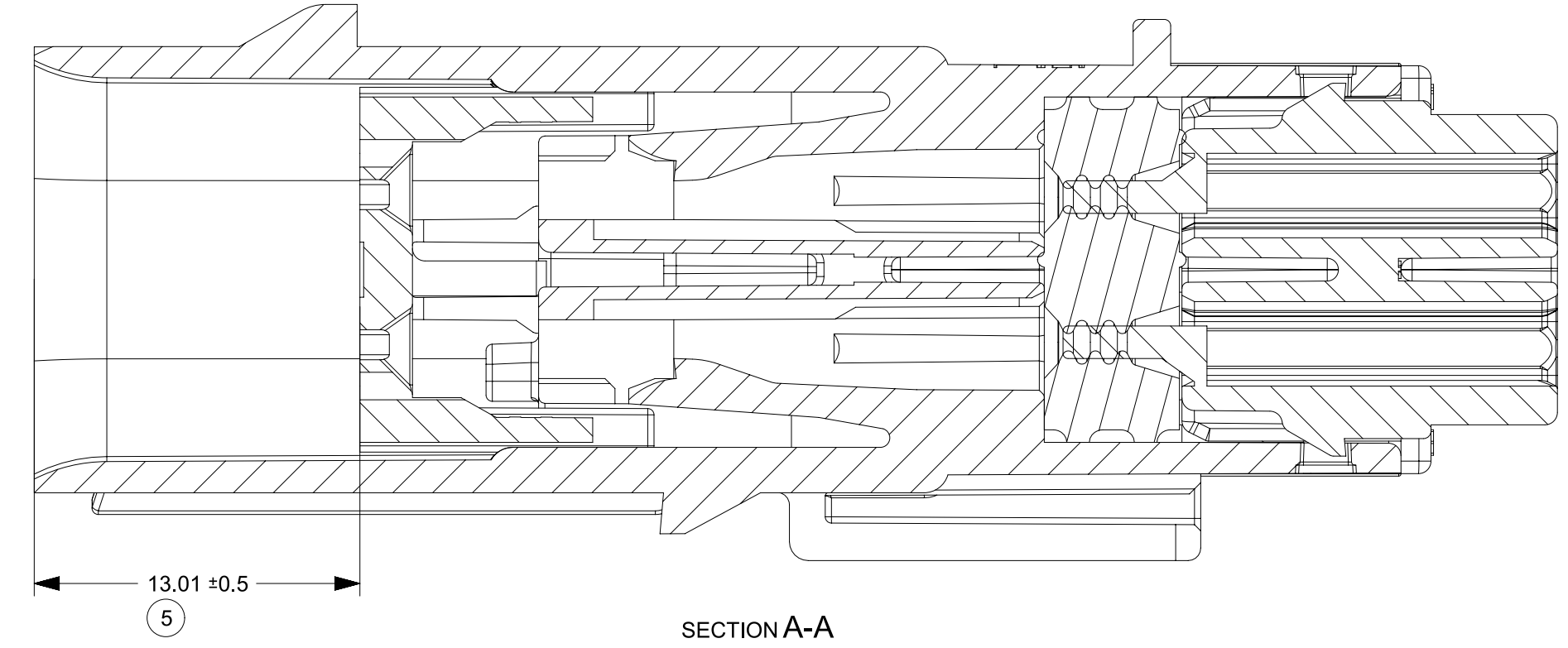
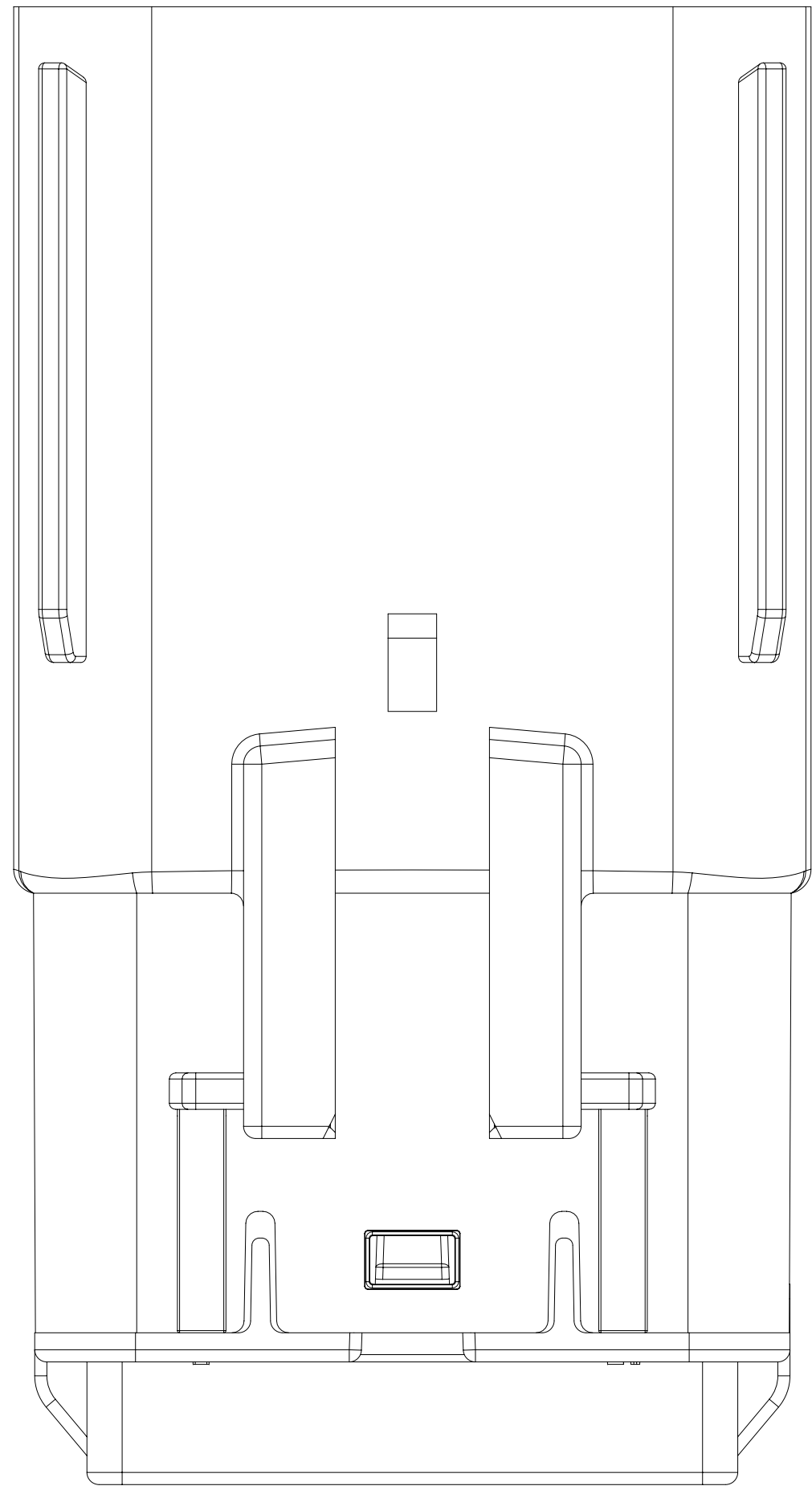
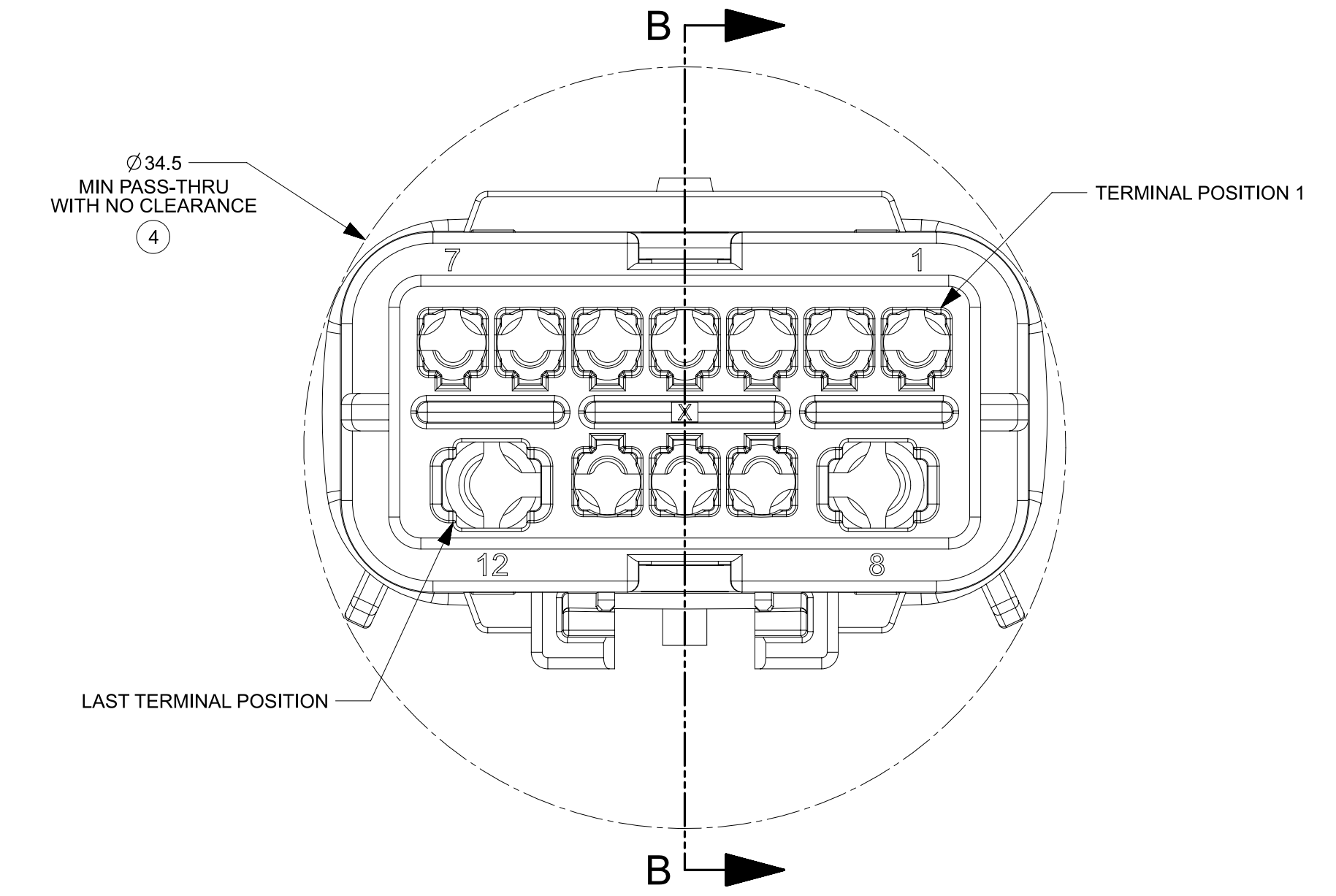
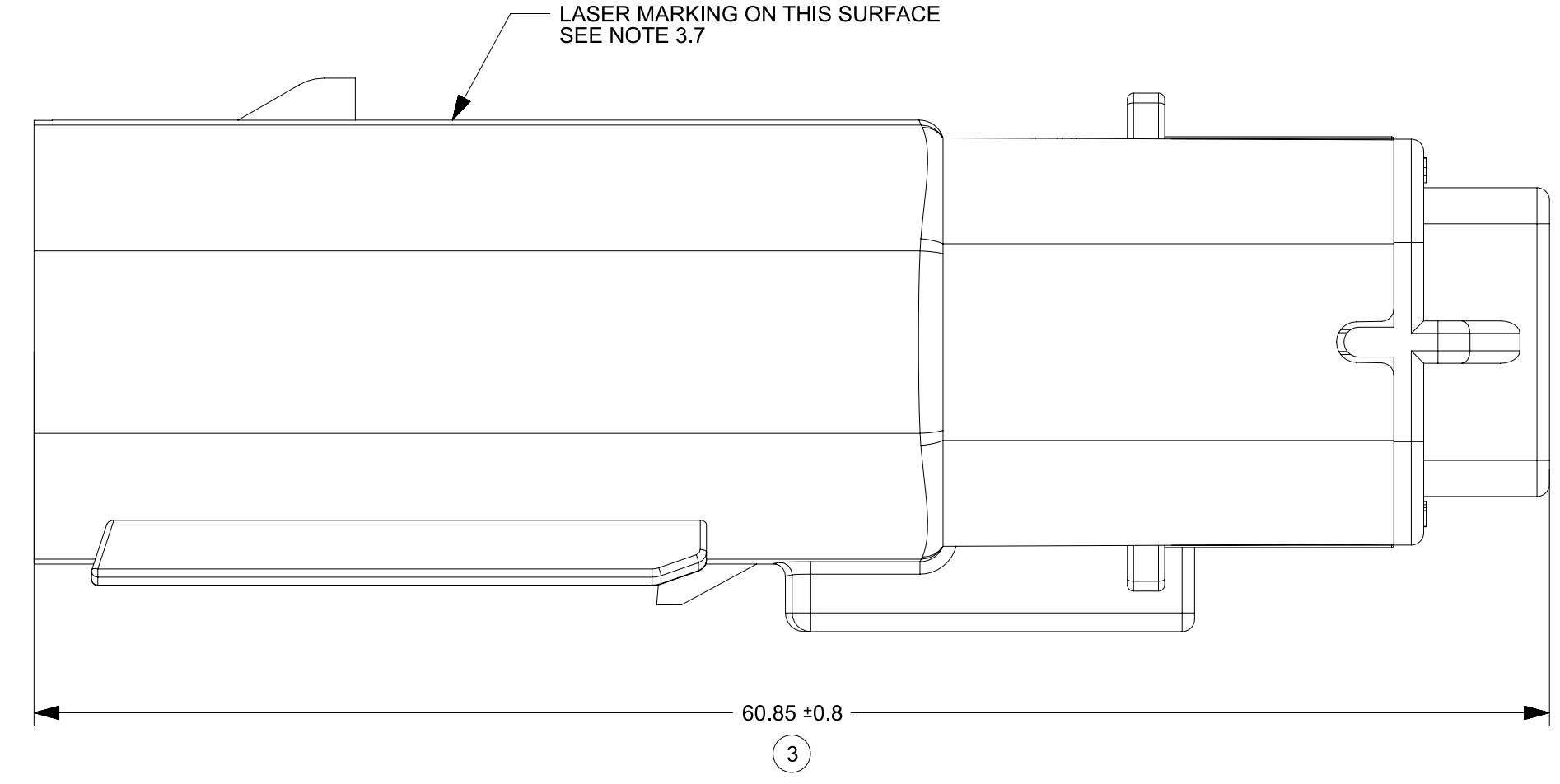
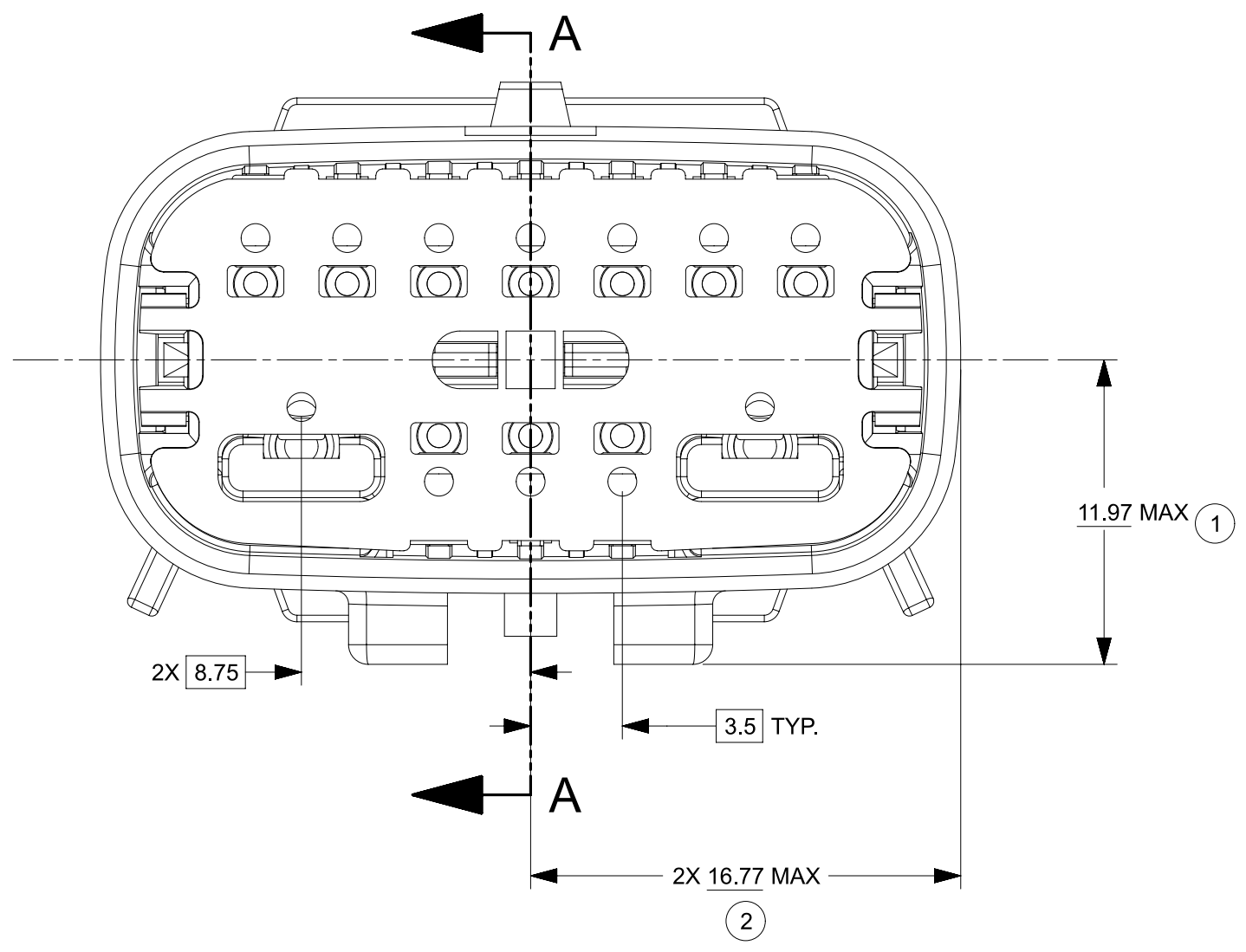
KEY C



KEY D

FUNCTIONAL SYMBOLS $\nabla_A = 0$ $\nabla_C = 0$ $\nabla_D = 0$	THIS DRAWING CONTAINS INFORMATION THAT IS PROPRIETARY TO MOLEX ELECTRONIC TECHNOLOGIES, LLC AND SHOULD NOT BE USED WITHOUT WRITTEN PERMISSION		CURRENT REV DESC: SEE REVISION TABLE		
	DIMENSION UNITS mm	SCALE 3:1	PHASE: Design Production CO NO: CO-00000522 DRWN: Srikanth CV 2022-02-16 CHK'D: Chaitra D 2022-02-17 APPR: Gurunandan GA 2022-02-17		
DIVISIONAL SYMBOLS SEE NOTES	GENERAL TOLERANCES (UNLESS SPECIFIED)		INITIAL REVISION: DRWN: Srikanth CV 2022-02-16 APPR: Gurunandan GA 2022-02-17		PRODUCT SALES DRAWING
	ANGULAR TOL $\pm 0.5^\circ$		DOCUMENT NUMBER 1601120000		DOC TYPE PSD
	4 PLACES ± 0.0000		MATERIAL NUMBER 160112		DOC PART 000
	3 PLACES ± 0.0000		SERIES D-SIZE		REVISION D7
2 PLACES ± 0.000		THIRD ANGLE PROJECTION 		SHEET NUMBER 3 OF 6	
1 PLACE ± 0.00		DRAFT WHERE APPLICABLE MUST REMAIN WITHIN DIMENSIONS		CUSTOMER CHARTED	
0 PLACES ± 0.00		DRAWING D-SIZE		SHEET NUMBER 3 OF 6	

SHEET DESCRIPTION
BLADE CONNECTOR ASSEMBLY



FUNCTIONAL SYMBOLS		THIS DRAWING CONTAINS INFORMATION THAT IS PROPRIETARY TO MOLEX ELECTRONIC TECHNOLOGIES, LLC AND SHOULD NOT BE USED WITHOUT WRITTEN PERMISSION		CURRENT REV DESC: SEE REVISION TABLE	
FA = 0	mm	SCALE	4:1		
FC = 0	GENERAL TOLERANCES (UNLESS SPECIFIED)		PHASE: Design Production		
FD = 0	ANGULAR TOL ± 0.5°		CO NO: CO-00000522		
DIVISIONAL SYMBOLS		4 PLACES	± 0.0000	DRWN: Srikanth CV	2022-02-16
		3 PLACES	± 0.0000	CHK'D: Chaitra D	2022-02-17
		2 PLACES	± 0.000	APPR: Gurunandan GA	2022-02-17
		1 PLACE	± 0.00	INITIAL REVISION:	
		0 PLACES	± 0.00	DRWN: Srikanth CV	2022-02-16
		DRAFT WHERE APPLICABLE MUST REMAIN WITHIN DIMENSIONS		APPR: Gurunandan GA	2022-02-17
		THIRD ANGLE PROJECTION	DRAWING	SERIES	
			D-SIZE	160112	
		MATERIAL NUMBER		CUSTOMER	SHEET NUMBER
		1601120000		CHARTED	4 OF 6

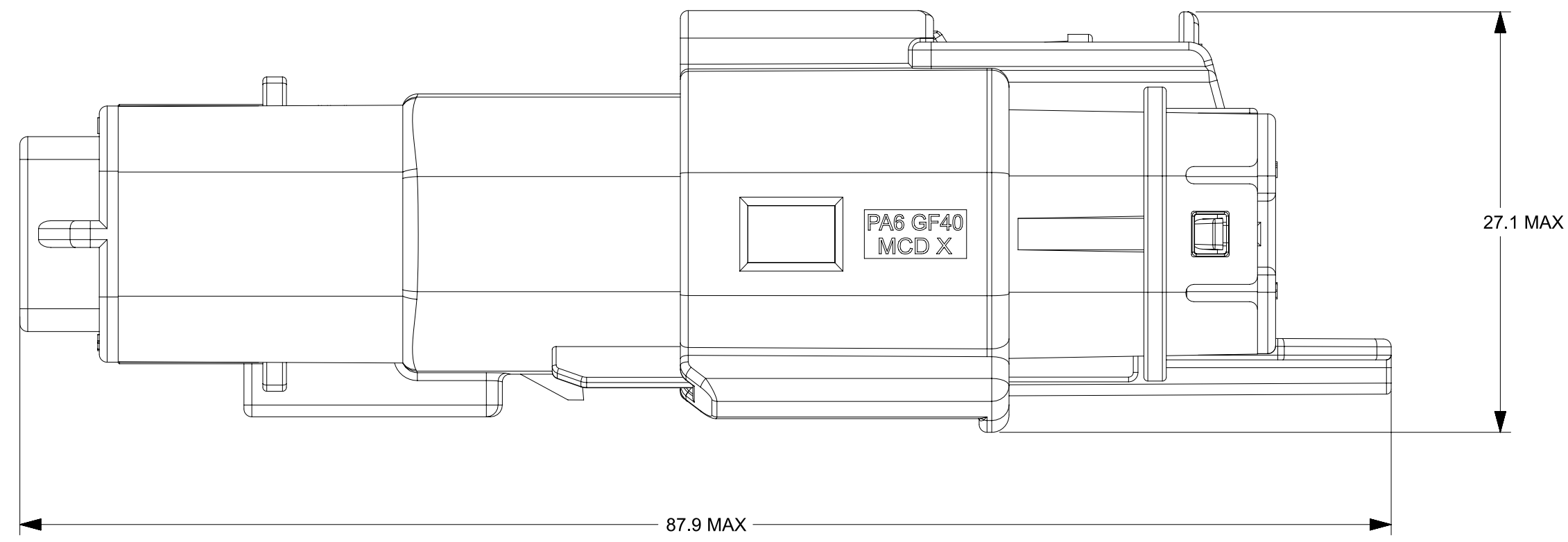
molex

MX150 HYBRID MAT SEAL BLD CONN ASM SALES

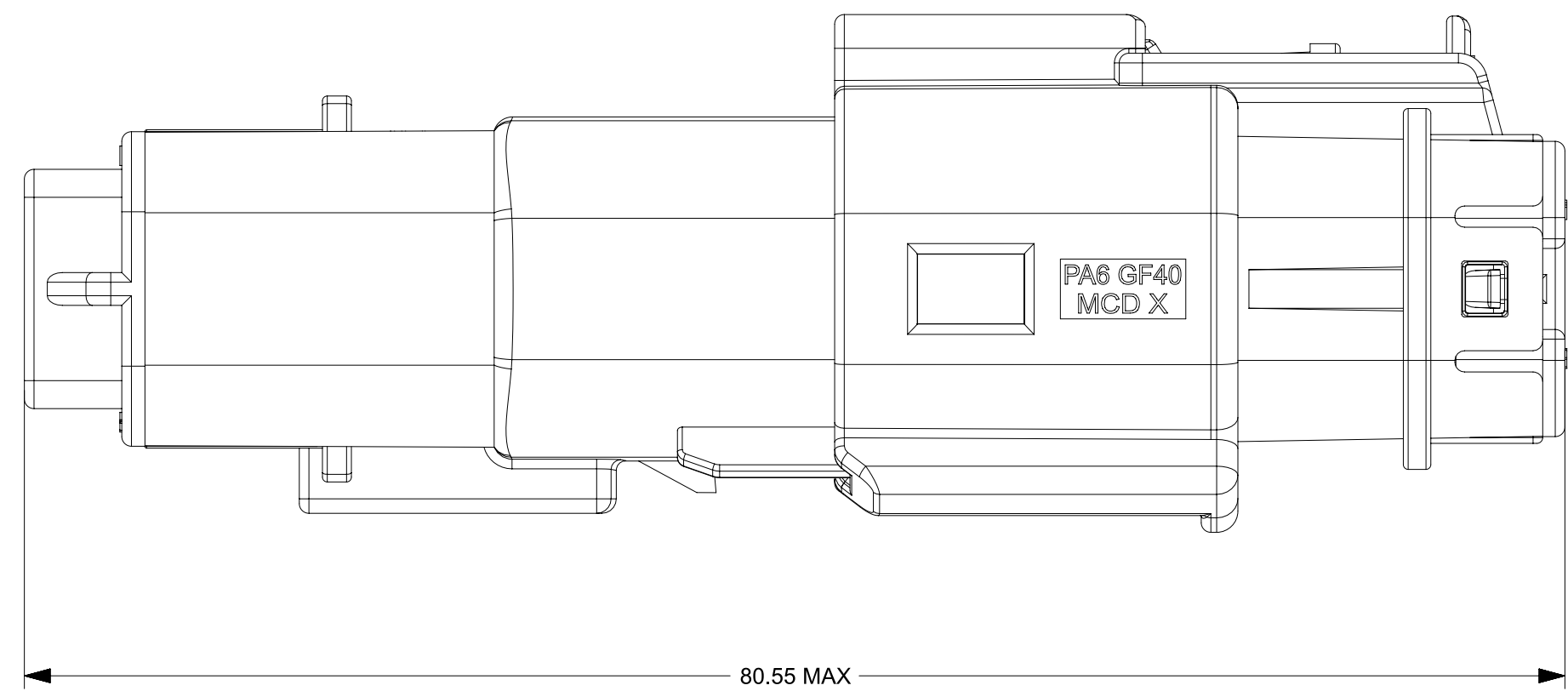
PRODUCT SALES DRAWING

DOCUMENT NUMBER	DOC TYPE	DOC PART	REVISION
1601120000	PSD	000	D7

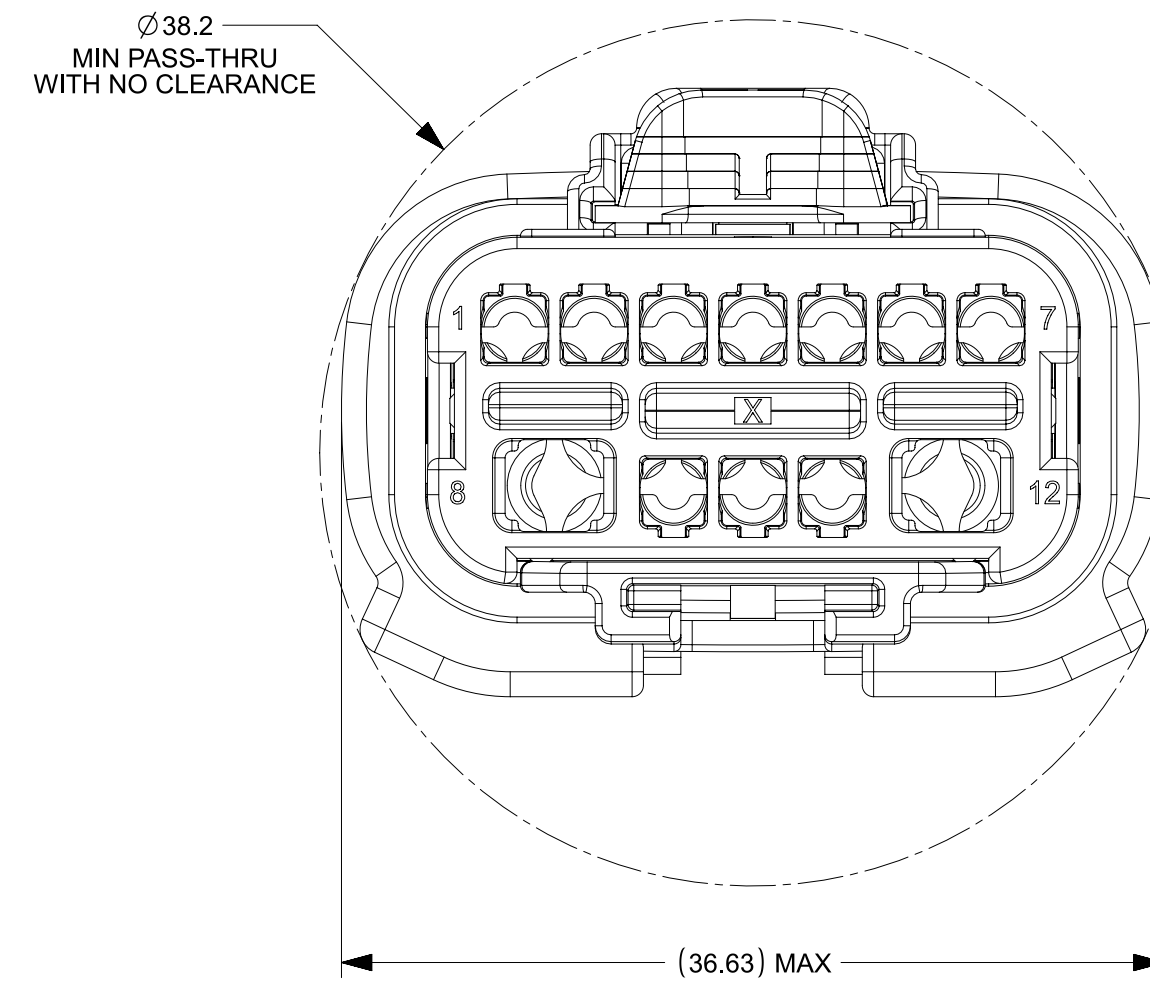
SHEET DESCRIPTION
SYSTEM PACKAGING



WITH EXTENDED CLIPSLOT RECEPTACLE HOUSING



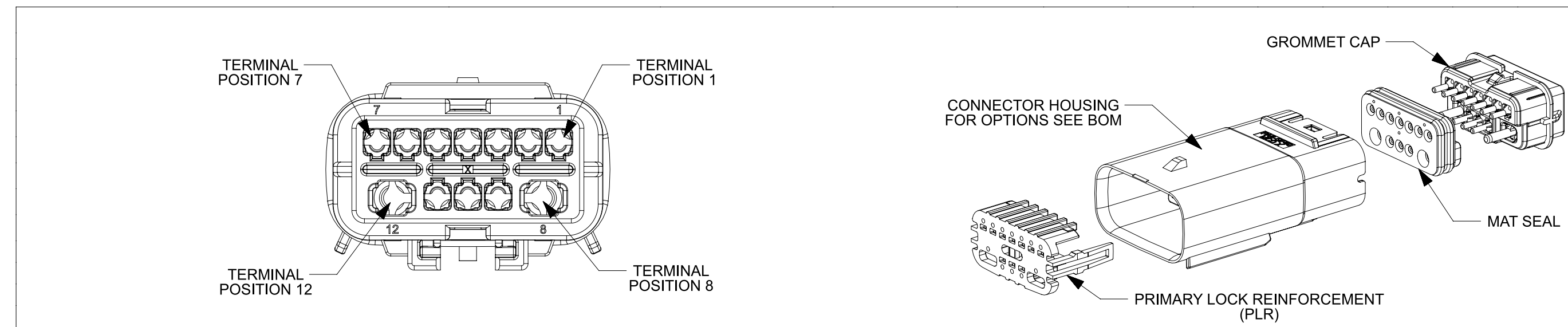
NON CLIPSLOT RECEPTACLE HOUSING



FUNCTIONAL SYMBOLS	THIS DRAWING CONTAINS INFORMATION THAT IS PROPRIETARY TO MOLEX ELECTRONIC TECHNOLOGIES, LLC AND SHOULD NOT BE USED WITHOUT WRITTEN PERMISSION		CURRENT REV DESC: SEE REVISION TABLE		molex
	DIMENSION UNITS	SCALE			
$F_A = 0$	mm	3:1			MX150 HYBRID MAT SEAL BLD CONN ASM SALES
$F_C = 0$	GENERAL TOLERANCES (UNLESS SPECIFIED)				
$F_D = 0$	ANGULAR TOL $\pm 0.5^\circ$		PHASE: Design Production		
DIVISIONAL SYMBOLS	4 PLACES	± 0.0000	DRWN: Srikanth CV	2022-02-16	
	3 PLACES	± 0.0000	CHK'D: Chaitra D	2022-02-17	
	2 PLACES	± 0.000	APPR: Gurunandan GA	2022-02-17	
	1 PLACE	± 0.00	INITIAL REVISION:		
	0 PLACES	± 0.00	DRWN: Srikanth CV	2022-02-16	
DRAFT WHERE APPLICABLE MUST REMAIN WITHIN DIMENSIONS		THIRD ANGLE PROJECTION	DRAWING	SERIES	DOCUMENT NUMBER
			D-SIZE	160112	1601120000
			CHARTED		PSD 000 D7
					SHEET NUMBER
					5 OF 6

SEE NOTES

SHEET DESCRIPTION
12W HYBRID CONNECTOR BOM



ABBREVIATION	DESCRIPTION	COLOR	MATERIAL
A-BLK	HOUSING KEYING OPTION A	BLACK	PA6 GF40
B-LG	HOUSING KEYING OPTION B	LIGHT GRAY	PA6 GF40
C-DG	HOUSING KEYING OPTION C	DARK GRAY	PA6 GF40
D-SG	HOUSING KEYING OPTION D	STONE GRAY	PA6 GF40
A-Y	HOUSING KEYING OPTION A	YELLOW	PA6 GF40
GCP	GROMMET CAP (PLUGGED)	BLACK	PA6 GF40
PLR	PLR	NATURAL	PA6 GF40
M	MAT SEAL 2.8/1.5	RUST RED	INHERENTLY LUBRICATED SILICONE

ASSEMBLY DESCRIPTION	ASSEMBLY PART NUMBER*	COMPONENT				BLOCKED TERMINALS												STATUS	COMMENTS	OPTIONAL ATTACHMENTS SOLD SEPERATELY							
		THE PRESENCE OF AN ABBREVIATION INDICATES THE PRESENCE OF THAT COMPONENT.				CAVITY WITH A NUMBER INDICATES BLOCKED TERMINAL POSITION CAVITY WITHOUT A NUMBER INDICATES OPEN TERMINAL POSITION														BACKSHELL WITH RIBS	BACKSHELL WITHOUT RIBS						
		HOUSING KEY/COLOR	GROMMET CAP	PLR	MAT SEAL	1	2	3	4	5	6	7	8	9	10	11	12										
KEY A, BLACK	160112-6001	A-BLK	GCP	PLR	M																						
KEY B, LIGHT GRAY	160112-6002	B-LG	GCP	PLR	M																						
KEY C, DARK GRAY	160112-6003	C-DG	GCP	PLR	M																						
KEY D, STONE GRAY	160112-6004	D-SG	GCP	PLR	M																						
KEY A, YELLOW	160112-6005	A-Y	GCP	PLR	M																						
KEY A, BLACK	160112-6006	A-BLK	GCP	PLR	M				3	4	5	6	7	9	10	11											
KEY A, BLACK	160112-6007	A-BLK	GCP	PLR	M	1			4	5	6	7	8														
KEY A, BLACK	160112-6008	A-BLK	GCP	PLR	M	1	2	3	4	5			8		10												
KEY A, BLACK	160112-6009	A-BLK	GCP	PLR	M	1			4	5			8														
KEY A, BLACK	160112-6010	A-BLK	GCP	PLR	M	1	2	3							10												
KEY A, BLACK	160112-6011	A-BLK	GCP	PLR	M	1																					
KEY A, BLACK	160112-6012	A-BLK	GCP	PLR	M		2	3	4	5	6	7	8		10												
KEY A, BLACK	160112-6013	A-BLK	GCP	PLR	M				4	5	6	7	8														
KEY A, BLACK	160112-6014	A-BLK	GCP	PLR	M		2	3	4	5			8		10												
KEY A, BLACK	160112-6015	A-BLK	GCP	PLR	M				4	5			8														
KEY A, BLACK	160112-6016	A-BLK	GCP	PLR	M		2	3							10												
KEY A, BLACK	160112-6017	A-BLK	GCP	PLR	M							7	8	9	10	11	12										
KEY A, BLACK	160112-6018	A-BLK	GCP	PLR	M								8		10	11	12										
KEY A, BLACK	160112-6019	A-BLK	GCP	PLR	M	1	2	3	4	5	6	7	9		12												
KEY A, BLACK	160112-6020	A-BLK	GCP	PLR	M							7	9				12										
KEY A, BLACK	160112-6021	A-BLK	GCP	PLR	M											12											
KEY A, BLACK	160112-6022	A-BLK	GCP	PLR	M	1	2	3	4	5	6	7	8		10												
KEY A, BLACK	160112-6023	A-BLK	GCP	PLR	M			3						9	10	11											
KEY A, BLACK	160112-6024	A-BLK	GCP	PLR	M							7		9	10												
KEY A, BLACK	160112-6025	A-BLK	GCP	PLR	M				4	5	6	7	9	10													
KEY A, BLACK	160112-6026	A-BLK	GCP	PLR	M			3	4	5	6	7	9	10	11												
KEY A, BLACK	160112-6027	A-BLK	GCP	PLR	M	1	2	3				7	8	9	10	11	12										
KEY A, BLACK	160112-6028	A-BLK	GCP	PLR	M	1	2					7	8	9	10		12										
KEY A, BLACK	160112-6029	A-BLK	GCP	PLR	M	1	2		4	5	6	7	8	9	10		12										
KEY A, BLACK	160112-6030	A-BLK	GCP	PLR	M	1	2	3				7															
KEY A, BLACK	160112-6031	A-BLK	GCP	PLR	M	1		3				7				11											
KEY A, BLACK	160112-6032	A-BLK	GCP	PLR	M	1		3				7															
KEY A, BLACK	160112-6033	A-BLK	GCP	PLR	M	1			4	5																	
KEY A, BLACK	160112-6034	A-BLK	GCP	PLR	M		2		4	5	6																
KEY A, BLACK	160112-6035	A-BLK	GCP	PLR	M	1	2	3	4	5	6	7															
KEY A, BLACK	160112-6036	A-BLK	GCP	PLR	M	1	2	3	4	5	6	7				11											
KEY A, BLACK	160112-6037	A-BLK	GCP	PLR	M				4	5	6					11											
KEY A, BLACK	160112-6038	A-BLK	GCP	PLR	M				4	5	6																
KEY A, BLACK	160112-6039	A-BLK	GCP	PLR	M	1	2	3				7				11											
KEY A, BLACK	160112-6040	A-BLK	GCP	PLR	M	1		3	4	5	6	7															
KEY A, BLACK	160112-6041	A-BLK	GCP	PLR	M							7					12										
KEY A, BLACK	160112-6042	A-BLK	GCP	PLR	M									9	10												
KEY A, BLACK	160112-6043	A-BLK	GCP	PLR	M								8				12										
KEY A, BLACK	160112-6044	A-BLK	GCP	PLR	M								8														
KEY B, LIGHT GRAY	160112-6045	B-LG	GCP	PLR	M				4	5			8				12										
KEY A, BLACK	160112-6046	A-BLK	GCP	PLR	M		2					7			10	12											
KEY A, BLACK	160112-6047	A-BLK	GCP	PLR	M			3	4	5	6					11											

(D7)

FUNCTIONAL SYMBOLS	THIS DRAWING CONTAINS INFORMATION THAT IS PROPRIETARY TO MOLEX ELECTRONIC TECHNOLOGIES, LLC AND SHOULD NOT BE USED WITHOUT WRITTEN PERMISSION			CURRENT REV DESC: SEE REVISION TABLE		
FA = 0	DIMENSION UNITS	SCALE				
	mm	1:1				
FC = 0	GENERAL TOLERANCES (UNLESS SPECIFIED)					
FP = 0	ANGULAR TOL ± 0.5°					
DIVISIONAL SYMBOLS	4 PLACES	± 0.0000				
	3 PLACES	± 0.000				
	2 PLACES	0.000				
	1 PLACE	± 0.00				
	0 PLACES	± 0.00				
DRAFT WHERE APPLICABLE MUST REMAIN WITHIN DIMENSIONS			THIRD ANGLE PROJECTION	DRAWING	SERIES	
			⊘	D-SIZE	160112	
PHASE: Design Production			MOLEX			
CO NO: CO-00000522			MX150 HYBRID MAT SEAL BLD CONN ASM SALES			
DRWN: Srikanth CV 2022-02-16			PRODUCT SALES DRAWING			
CHK'D: Chaitra D 2022-02-17			DOCUMENT NUMBER			
APPR: Gurunandan GA 2022-02-17			1601120000			
INITIAL REVISION:			DOC TYPE DOC PART REVISION			
DRWN: Srikanth CV 2022-02-16			PSD 000 D7			
APPR: Gurunandan GA 2022-02-17			MATERIAL NUMBER			
			CUSTOMER			
			SHEET NUMBER			
			6 OF 6			