

Connector - SACC-M12MS-12SOL-PG 9-M - 1404419

Please be informed that the data shown in this PDF Document is generated from our Online Catalog. Please find the complete data in the user's documentation. Our General Terms of Use for Downloads are valid (<http://phoenixcontact.com/download>)




Connector, Universal, 12-position, Plug straight M12, A-coded, Solder connection, knurl material: Zinc die-cast, nickel-plated, cable gland Pg9, external cable diameter 6 mm ... 8 mm

Your advantages

- Safe use in the field, thanks to a high degree of protection
- Flexible: connectors for on-site assembly
- Save space – with high-pos. connectors



Key Commercial Data

| | |
|--------------|---|
| Packing unit | 1 pc |
| GTIN |  4 046356 694513 |
| GTIN | 4046356694513 |

Technical data

Dimensions

| | |
|---|---------------|
| Diameter housing | 20.2 mm |
| Length | 62 mm |
| External cable diameter | 6 mm ... 8 mm |
| Stripping length of the sheath | 20 mm |
| Stripping length of the individual wire | 4 mm |

Ambient conditions

| | |
|---------------------------------|----------------------------------|
| Ambient temperature (operation) | -40 °C ... 85 °C (Plug / socket) |
| Degree of protection | IP67 |

General

| | |
|------|---|
| Note | NOTE: Observe the permissible bending radii when laying conductors, since the degree of protection may be put in jeopardy if the bending forces are too high. Alleviate mechanical loads upstream of the connector, e.g. by using cable ties. |
|------|---|

Connector - SACC-M12MS-12SOL-PG 9-M - 1404419

Technical data

General

| | |
|-----------------------------|---|
| Rated current at 40°C | 1.5 A (up to 40 °C) |
| Rated voltage | 30 V AC |
| | 30 V DC |
| Number of positions | 12 |
| Color handle area | black |
| Insulation resistance | > 10 GΩ |
| Coding | A - standard |
| Standards/regulations | M12 connector IEC 61076-2-101 |
| Signal type/category | Universal |
| Status display | No |
| Overvoltage category | II |
| Degree of pollution | 3 |
| Connection method | Solder connection |
| Conductor cross section | 0.08 mm² ... 0.25 mm² (without ferrule) |
| | 0.08 mm² ... 0.25 mm² (solid) |
| Conductor cross section AWG | 28 ... 24 (without ferrule) |
| Insertion/withdrawal cycles | ≥ 100 |
| Torque | 0.4 Nm (M12 knurl) |
| | 0.8 Nm ... 1 Nm (Pressure nut with coupling sleeve) |
| Tightening torque | Screw plug insert with sleeve housing as far it will go |

Material

| | |
|--|------------------------------|
| Flammability rating according to UL 94 | HB |
| Contact material | CuZn |
| Contact surface material | Au |
| Contact carrier material | PA |
| Material of grip body | PA |
| Material, knurls | Zinc die-cast, nickel-plated |
| Sealing material | NBR |

Standards and Regulations

| | |
|--|-----------------|
| Standard designation | M12 connector |
| Standards/regulations | IEC 61076-2-101 |
| Flammability rating according to UL 94 | HB |

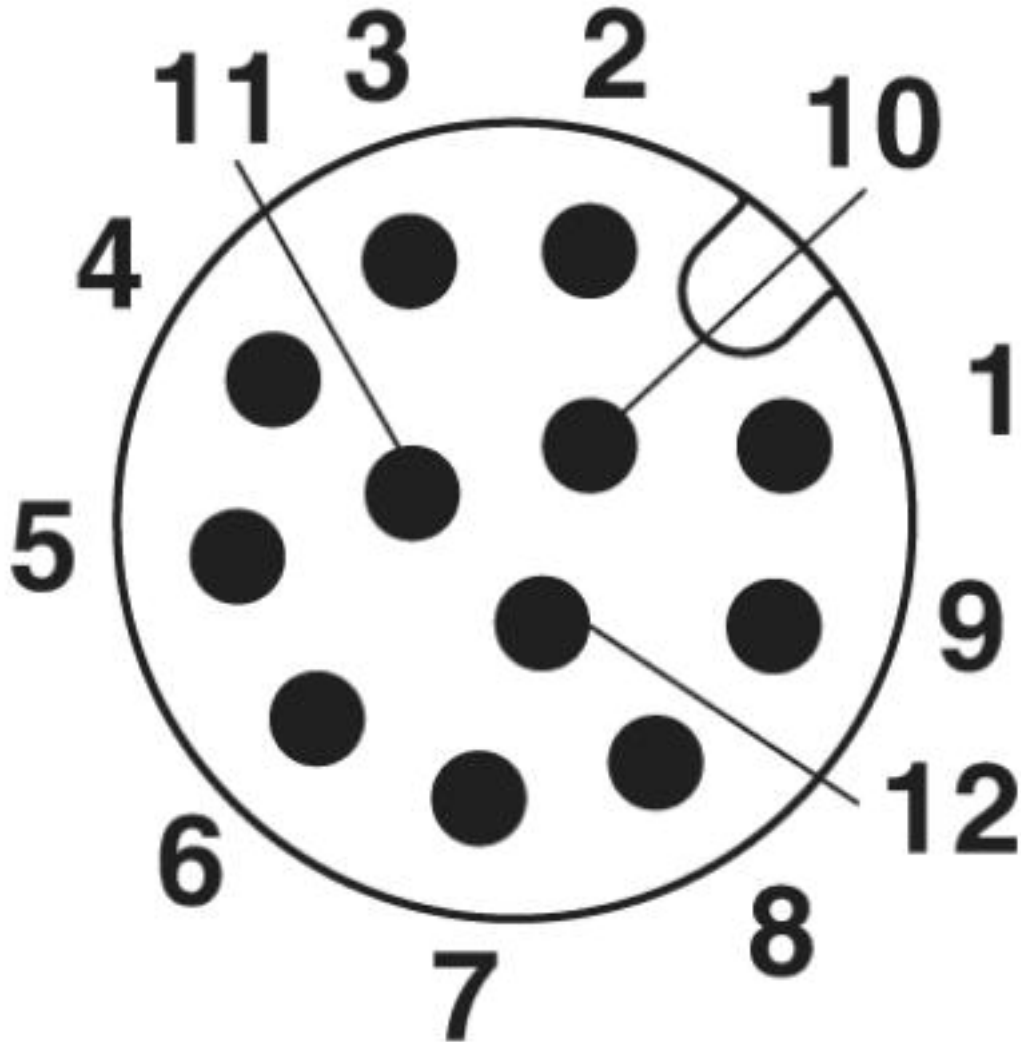
Environmental Product Compliance

| | |
|------------|---|
| REACH SVHC | Lead 7439-92-1 |
| China RoHS | Environmentally Friendly Use Period = 50 |
| | For details about hazardous substances go to tab "Downloads", Category "Manufacturer's declaration" |

Drawings

Connector - SACC-M12MS-12SOL-PG 9-M - 1404419

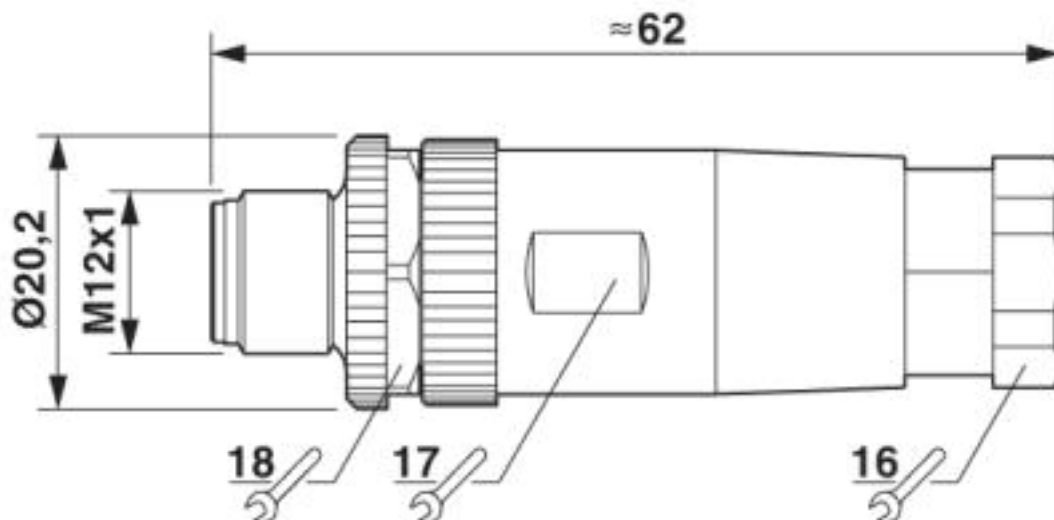
Schematic diagram



Pin assignment of M12 male connector, 12-pos., A-coded, view of pin side

Connector - SACC-M12MS-12SOL-PG 9-M - 1404419

Dimensional drawing



Plug, M12 x 1, straight, shielded

Approvals

Approvals

Approvals

UL Recognized / cUL Recognized / EAC / cULus Recognized

Ex Approvals

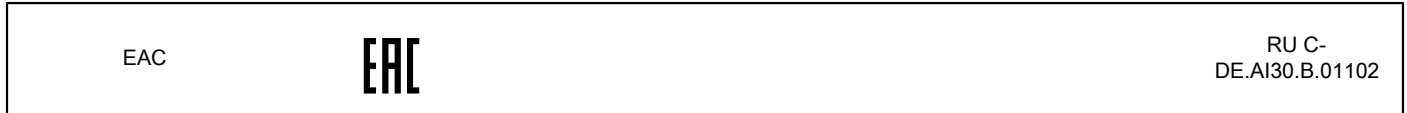
Approval details

| | | | |
|--------------------|------|---|---------------|
| UL Recognized | | http://database.ul.com/cgi-bin/XYV/template/LISEXT/1FRAME/index.htm | FILE E 221474 |
| Nominal voltage UN | 30 V | | |
| Nominal current IN | 1 A | | |

| | | | |
|--------------------|------|---|---------------|
| cUL Recognized | | http://database.ul.com/cgi-bin/XYV/template/LISEXT/1FRAME/index.htm | FILE E 221474 |
| Nominal voltage UN | 30 V | | |
| Nominal current IN | 1 A | | |

Connector - SACC-M12MS-12SOL-PG 9-M - 1404419

Approvals



Phoenix Contact 2019 © - all rights reserved
<http://www.phoenixcontact.com>

PHOENIX CONTACT GmbH & Co. KG
Flachsmarktstr. 8
32825 Blomberg
Germany
Tel. +49 5235 300
Fax +49 5235 3 41200
<http://www.phoenixcontact.com>