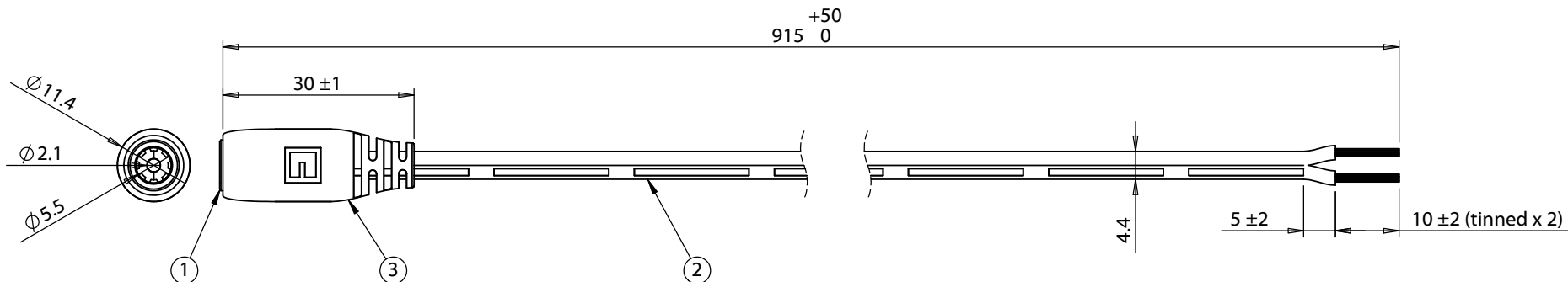


| ITEM NO. | PART NUMBER | DESCRIPTION | QTY. | COMPONENT NOTES |
|----------|-------------|---|------|-----------------|
| 1 | 50-00025 | Connector, dc jack, 5.5x2.1xL17.4 mm, molding style | 1 | |
| 2 | 30-00396 | Wire, 2C TS, 18 AWG, UL2468, 300V, 80C, 4.4 mm, VW-1, PVC, 87A, white | 1 | |
| 3 | 24-00004 | Overmold, PVC, white | 1 | |



Notes:
 Cables individually tied and bundled in groups of 10
 Functionally equivalent components may be substituted
 7 A, 12 Vdc

| Wiring Diagram | |
|----------------|-------------------|
| 50-00025 | wire color |
| center | white with stripe |
| sleeve | white |

| | | | | | |
|-----------|------------|-----------------|---|---|---|
| Revision: | Date: | Description: | Prepared: | Notes: | <h1>TENSILITY</h1> <p>tel 1.541.323.3228 800 877.670.7118 fax 1.541.323.4202 web tensility.com</p> |
| A | 12/21/2016 | Initial release | GL 2016.05.19 08:52:30 -07'00' | RoHS compliant | |
| | | | Verified: LA <small>Digitally signed by LA, DN: cn=LA, o=Tensility, ou=Engineering, email=LA@Tensility.com, c=US</small> Date: 2016.06.01 17:25:15 -0700 | Function test: no open, no short circuit, no intermittent | |
| | | | Dimensions are in millimeters. Tolerances: X: ± 0.5 mm X.X: ± 0.3 mm X.XX: ± 0.05 mm | Description: Cable, 915 mm, 5.5x2.1 mm 50-00025 dc jack to stripped tinned, 18 AWG, 30-00396 wire, white | |
| | | | | Size: A | Part number: 10-01266 |
| | | | | Scale: 1:2 | Sheet 1 of 1 |