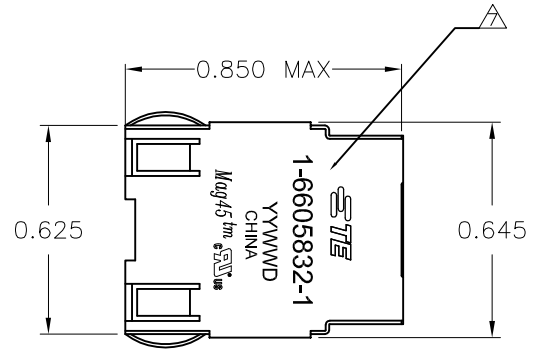


REVISIONS						
LOC	DIST	REV	DESCRIPTION	DATE	BY	APPD
AA	22	B1	REVISED PER ECO-11-005140	25MAR11	RK	HMR
		C	ECO-11-013901	30MAY2011	EL	LR

MECHANICAL:



- ⚠ MATERIALS:
 - HOUSING - THERMOPLASTIC PET POLYESTER FLAMMABILITY RATING UL 94 V-0.
 - SHIELD - 0.010" THICK, C26800 BRASS PREPLATED WITH 30μINCH MIN SEMI-BRIGHT NICKEL, SOLDER TABS POST DIPPED WITH 100μINCH MIN SAC SOLDER.
 - MOD JACK CONTACTS - 0.0157" x 0.018" PHOSPHOR BRONZE, 50μINCH MIN OVERALL NICKEL UNDERPLATE, WITH SELECT 50μINCH MIN HARD GOLD FINISH PLATE. SOLDER TAILS WITH 100μINCH MIN MATTE TIN AND/OR SAC SOLDER DIP.

- ⚠ RJ45 JACK CAVITY CONFORMS TO FCC RULES AND REGULATIONS PART 68, SUB PART F.

- ⚠ MAGNETICS
 - IMPEDANCE: 100 OHMS
 - TURNS RATIO (CHIP: CABLE): TX = 1:1, RX = 1:1
 - OPEN CIRCUIT INDUCTANCE (OCL): 350μH MIN @100kHz, 0.1VRMS, 8mADC BIAS FROM 0°C TO 70°C, TX AND RX
 - POE CURRENT: 350mADC MAX
 - PERFORMANCE @ 25°C:
 - INSERTION LOSS (IL): 1.1dB MAX FROM 0.5MHz TO 100MHz
 - RETURN LOSS (RL): 18dB MIN FROM 0.5MHz TO 30MHz
 - 18-20LOG(f/30)dB MIN FROM 30.1MHz TO 60MHz
 - 12dB MIN FROM 60.1MHz TO 80MHz
 - CROSSTALK ATTENUATION: 35dB MIN FROM 0.5MHz TO 40MHz
 - 33-20*LOG(f/50)dB MIN FROM 40.1MHz TO 100MHz
 - COMMON MODE REJECTION RATIO (CMRR): 30dB MIN FROM 0.5MHz TO 100MHz
 - ISOLATION VOLTAGE: 1500VAC (MAX) AT 60Hz FOR 60 SECS.

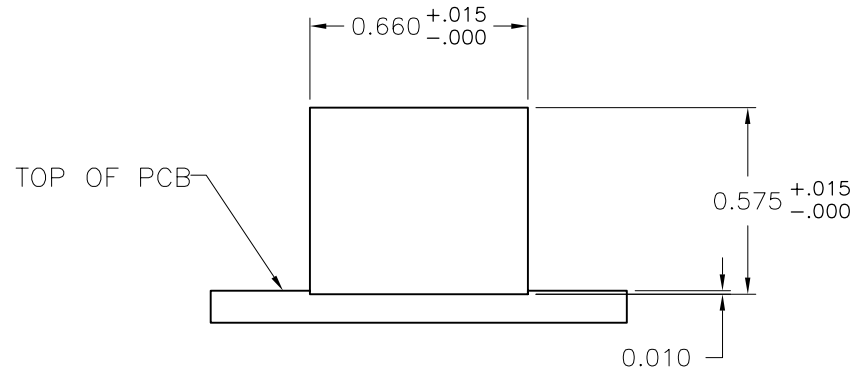
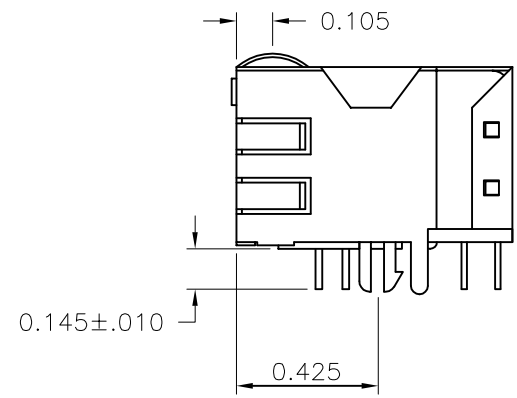
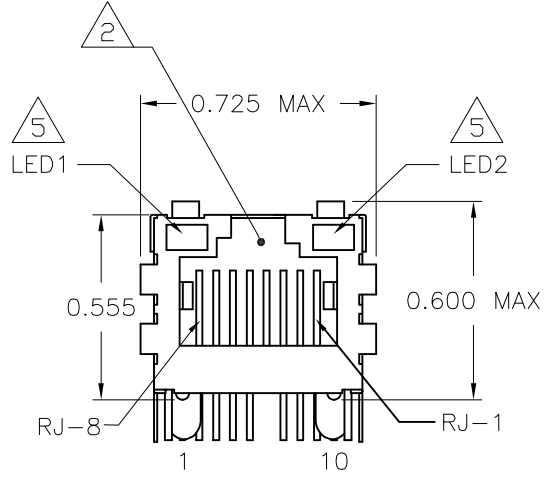
- 4. OPERATING TEMPERATURE: FROM 0° - +70°

- ⚠ LEDS WITH BUILT-IN RESISTOR
 - LEDS ARE DRIVEN WITH 5V VOLTAGE AND THE MAX OPERATING CURRENT IS 20mA.
 - LED COLOR : DOMINANT WAVELENGTH (AD): GREEN 568 nm TYP. @ VF=5V
 - FORWARD CURRENT (IF): GREEN 12 mA TYP. @ VF=5V
 - DOMINANT WAVELENGTH (AD): YELLOW 588 nm TYP. @ VF=5V
 - FORWARD CURRENT (IF): YELLOW 13 mA TYP. @ VF=5V

- ⚠ INDICATED CONNECTIONS ARE FOR NIC CONFIGURATION. THE MAGNETICS ARE SYMMETRIC TO SUPPORT AUTO-MDI/MDIX.

- ⚠ TE CONNECTIVITY LOGO, TE CONNECTIVITY PART NUMBER, DATE CODE, COUNTRY OF ORIGIN AND AGENCY APPROVAL MARKING IN APPROXIMATE LOCATION SHOWN.

- 8. THE PART IS RECOMMENDED FOR WAVE SOLDERING PROCESS, PEAK WAVE SOLDERING TEMPERATURE IS 265°C MAX, 10 SECONDS MAX.



DIMENSIONS:		TOLERANCES UNLESS OTHERWISE SPECIFIED:		MATERIAL:		FINISH:	
INCHES	PLC	PLC	PLC	ANGLE	FINISH	WEIGHT	SCALE
	0 PLC	±	-				
	1 PLC	±	-				
	2 PLC	±	.01				
	3 PLC	±	.005				
	4 PLC	±	-				
	ANGLES	±	-				

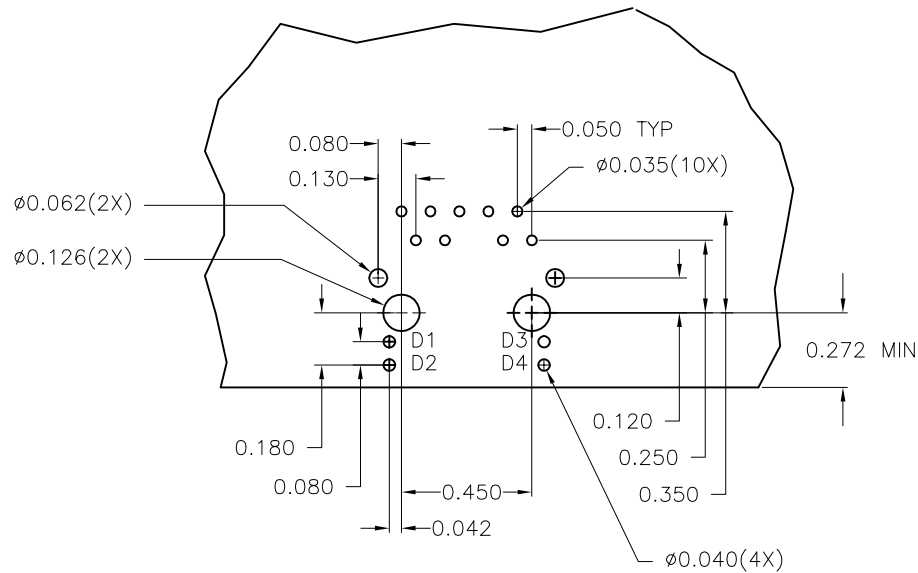
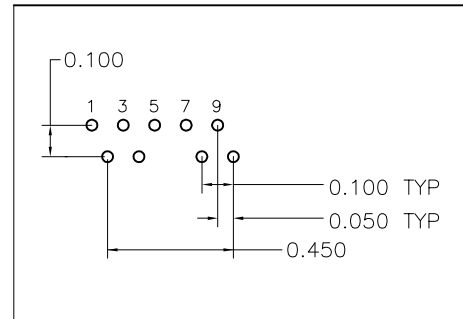
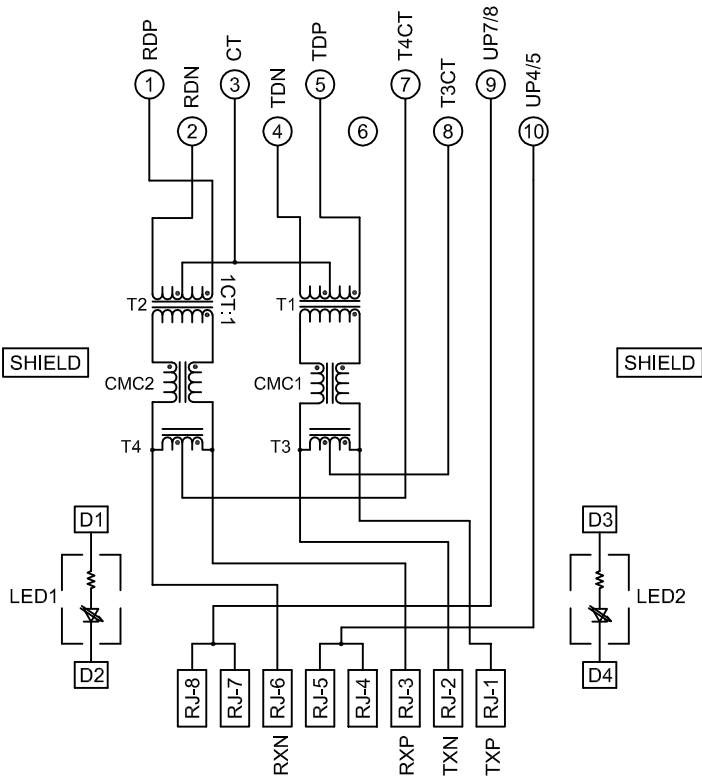
REV	DATE	BY	APPD	DESCRIPTION
1	04MAR2005	L VARELA	DOKCKS	GREEN LED1
2	04MAR2005	D FAROLE	D FAROLE	GREEN LED2
3	04MAR2005	D FAROLE	D FAROLE	1-6605832-1 PART NUMBER

THIS DRAWING IS A CONTROLLED DOCUMENT.		TE Connectivity	
1-6605832-1		MAG45(TM), 10/100, 7V15 CIRCUIT, TAB UP, W RESISTOR LED, NO CAPACITOR	
SIZE	CAGE CODE	DRAWING NO	RESTRICTED TO
A2	00779	C=6605832	-
CUSTOMER DRAWING		SCALE	SHEET
		NTS	1 of 2
		REV	C

THIS DRAWING IS UNPUBLISHED. RELEASED FOR PUBLICATION
 © COPYRIGHT - By - ALL RIGHTS RESERVED.

LOC		DIST		REVISIONS				
P	LR	DESCRIPTION	DATE	DN	APD			
AA	22	SEE SHEET 1	-	-	-			

7V15 Magnetic CIRCUIT



Suggested Footprint

THIS DRAWING IS A CONTROLLED DOCUMENT.		DRN L. VARELA - 04MAR2005	TE Connectivity																									
DIMENSIONS: INCHES		CHK D. FAROLE 04MAR2005	APVD D. FAROLE 04MAR2005																									
TOLERANCES UNLESS OTHERWISE SPECIFIED:		NAME 1x1, MAG45(TM), 10/100, 7V15 CIRCUIT, TAB UP, W RESISTOR LED, NO CAPACITOR																										
<table border="1"> <tr><td>0</td><td>PLC</td><td>±</td><td>-</td></tr> <tr><td>1</td><td>PLC</td><td>±</td><td>-</td></tr> <tr><td>2</td><td>PLC</td><td>±</td><td>.01</td></tr> <tr><td>3</td><td>PLC</td><td>±</td><td>.005</td></tr> <tr><td>4</td><td>PLC</td><td>±</td><td>-</td></tr> <tr><td colspan="2">ANGLES</td><td>±</td><td>-</td></tr> </table>		0	PLC	±	-	1	PLC	±	-	2	PLC	±	.01	3	PLC	±	.005	4	PLC	±	-	ANGLES		±	-	PRODUCT SPEC APPLICATION SPEC		
0	PLC	±	-																									
1	PLC	±	-																									
2	PLC	±	.01																									
3	PLC	±	.005																									
4	PLC	±	-																									
ANGLES		±	-																									
MATERIAL FINISH		SIZE A2		CAGE CODE 00779																								
		DRAWING NO C=6605832		RESTRICTED TO																								
		CUSTOMER DRAWING		SCALE NTS																								
		SHEET 2 of 2		REV C																								