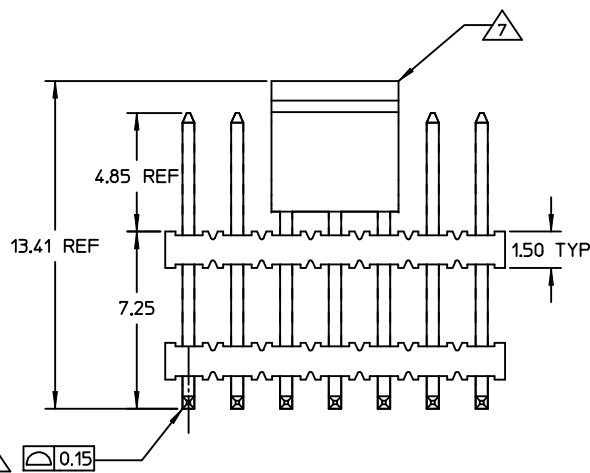
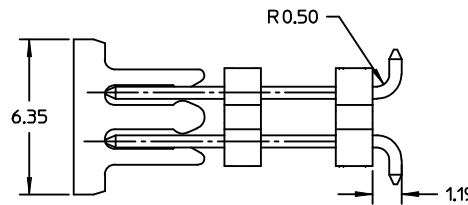
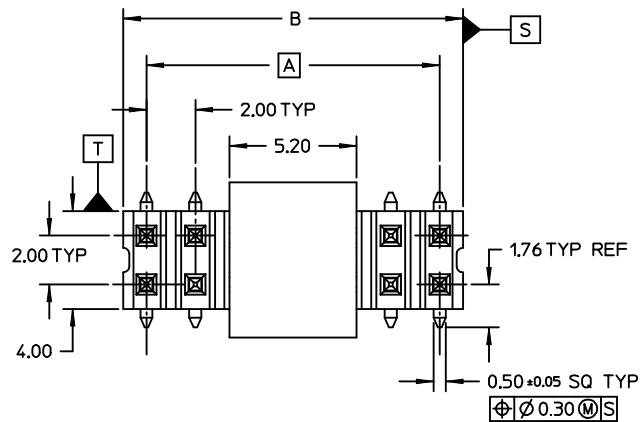


PART NUMBER WITH CAP IN EMBOSSED TAPE	PLATING TYPE	CKT SIZE	A	B
87762-0021	1	44	42.00	43.90

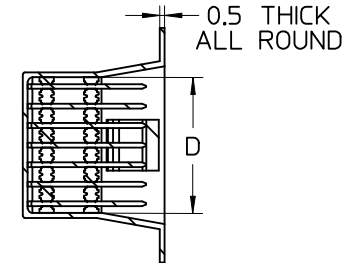
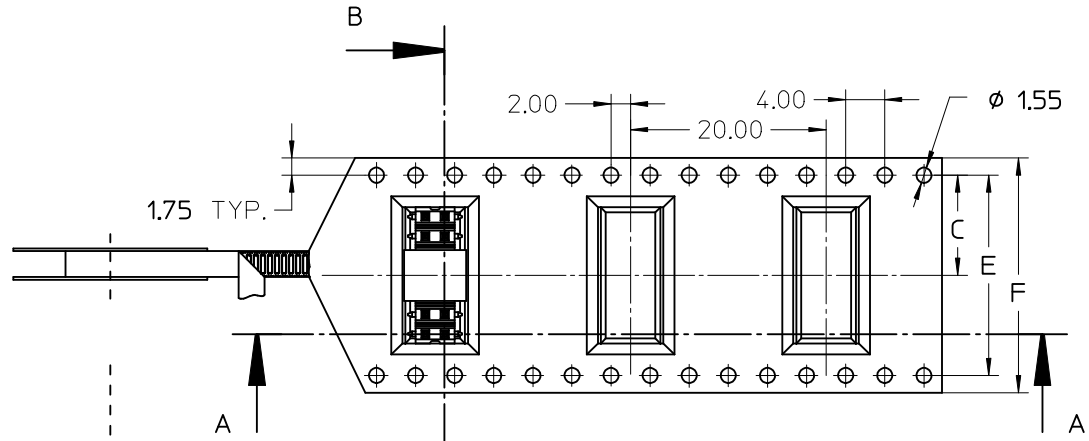
NOTES:

- MATERIAL: HOUSING: NYLON 46, 30% G.F., UL94V-0, COLOR: BLACK
PIN: COPPER ALLOY, SQ, 0.5mm
- PLATING FINISH:
(1) 15μ INCHES MIN GOLD PLATE IN SELECTED AREA AND
75μ INCHES MIN TIN ON SOLDER TAIL OVER
50μ INCHES MIN NICKEL OVERALL.
- FOR PCB DETAIL, SEE PAGE 2
- PRODUCT SPECIFICATION: PS-87761-001
- RECOMMENDED PC BOARD THICKNESS IS 1.60±0.10mm
- COPLANARITY IS TO BE MEASURED BY RESTING THE SOLDER TAIL ON A GAUGE SURFACE
- CAP TO BE LOCATED AS CENTRAL OF PART AS POSSIBLE
- THE ABOVE 14CKTS SHOWN IS FOR ILLUSTRATION ONLY.
- PARTS TO BE PACKED IN EMBOSSED TAPE.

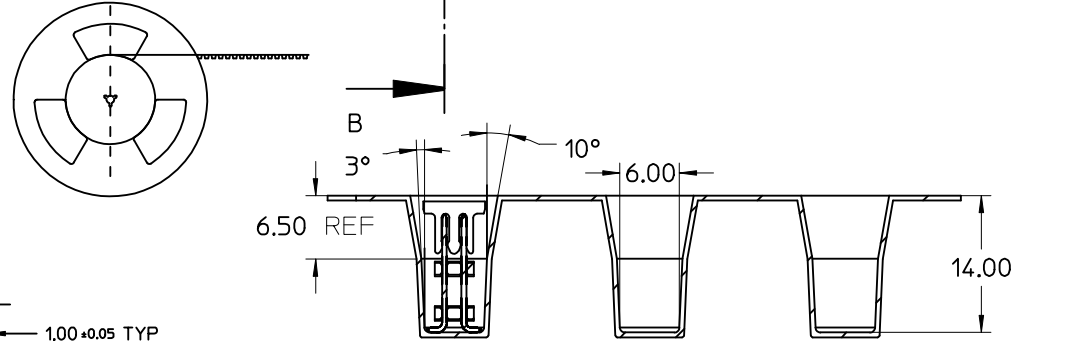


EC NO: S2004-0824 DRWN:KCHO 2004/06/22 CHKD:PTLIM 2004/06/22 APPR:SKTOH 2004/06/23	QUALITY SYMBOLS	GENERAL TOLERANCES (UNLESS SPECIFIED)	SCALE NTS	DESIGN UNITS METRIC	THIRD ANGLE PROJECTION	REVISE ON CAD ONLY
	▼ = 0 ∇ = 0	mm	INCH	DIMENSION STYLE MM ONLY		TITLE SALES DRAWING 2.00MM PITCH SMT HEADER DUAL ROW 44 CKTS MOLEX INCORPORATED
		4 PLACES ± ---	± ---	DRAWN BY KCHO	DATE 2004/06/08	
	A	DESCRIPTION	3 PLACES ± ---	± ---	CHECKED BY PTLIM	DATE 2004/06/17
2 PLACES ± 0.20			± ---	APPROVED BY SCLW	DATE 2004/06/18	
		1 PLACE ± ---	± ---	ANGULAR ± 3° DRAFT WHERE APPLICABLE MUST REMAIN WITHIN DIMENSIONS		B

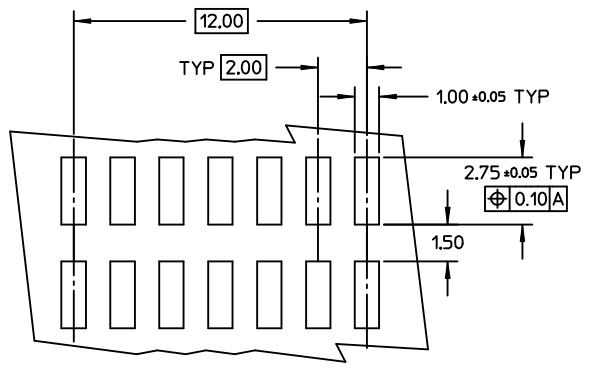
CKT SIZE	C	D	E	F
44	34.20	44.20	68.40	72.00



Section B-B



Section A-A



RECOMMENDED PCB PATTERN

EC NO: S2004-0824 DRWN: KCHO 2004/06/22 CHKD: PTLIM 2004/06/22 APPR: SKTOH 2004/06/23	QUALITY SYMBOLS ▽ - 0 ∇ - 0	GENERAL TOLERANCES (UNLESS SPECIFIED)		SCALE NTS	DESIGN UNITS METRIC	THIRD ANGLE PROJECTION	REVISE ON CAD ONLY		
		mm	INCH	DIMENSION STYLE MM ONLY					
		4 PLACES ± --- ± ---	3 PLACES ± --- ± ---	2 PLACES ± 0.20 ± ---	1 PLACE ± --- ± ---	DRAWN BY KCHO	DATE 2004/06/08	SALES DRAWING 2.00MM PITCH SMT HEADER DUAL ROW 44 CKTS MOLEX INCORPORATED	
		ANGULAR ± 3°				CHECKED BY PTLIM	DATE 2004/06/17		
DRAFT WHERE APPLICABLE MUST REMAIN WITHIN DIMENSIONS				APPROVED BY SCLW	DATE 2004/06/18	MATERIAL NO. SEE TABLE SD-87762-048	DOCUMENT NO. SD-87762-048		

THIS DRAWING CONTAINS INFORMATION THAT IS PROPRIETARY TO MOLEX INCORPORATED AND SHOULD NOT BE USED WITHOUT WRITTEN PERMISSION