

6

5

4

3

2

1

D

D

C

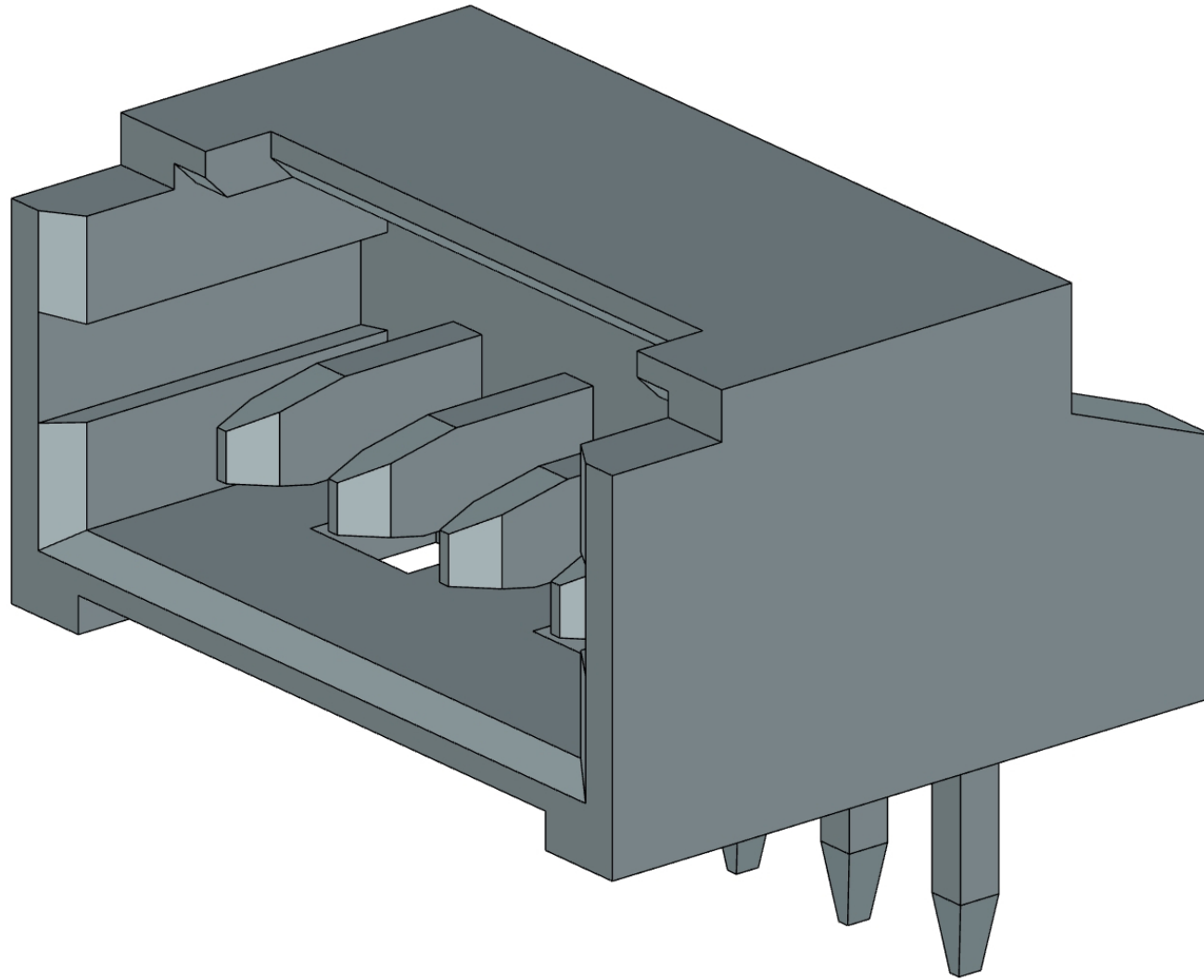
C

B

B

A

A



MATERIAL NUMBER	
CIRCUIT NUMBER	
INFORMATION	

TITLE:

MATERIAL DETAILS:

DRAWING NO	
REV	



THIS MODEL CONTAINS INFORMATION THAT IS PROPRIETARY TO MOLEX ELECTRONIC TECHNOLOGIES, LLC AND SHOULD NOT BE USED WITHOUT WRITTEN PERMISSION

6

5

4

3

2

1