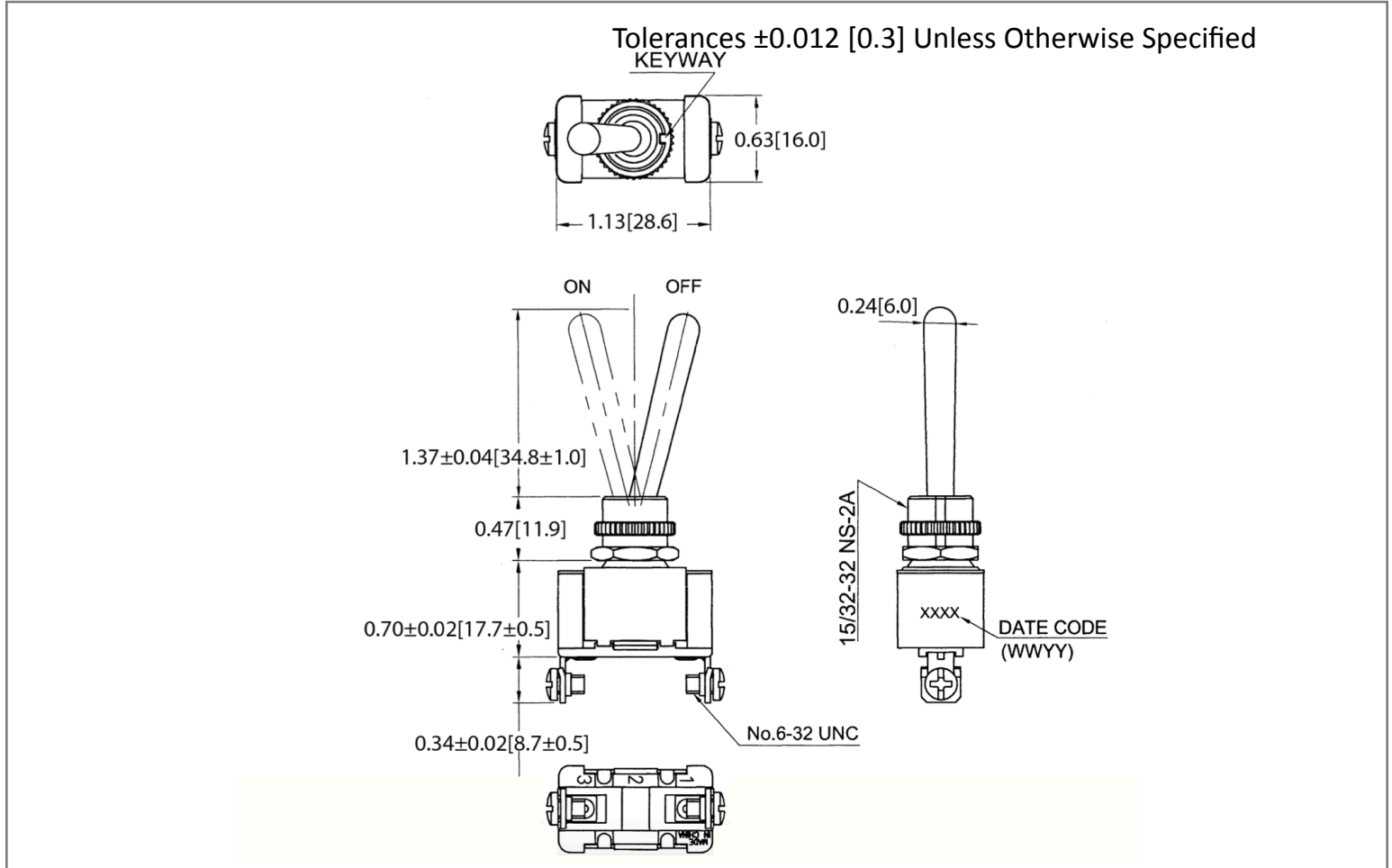
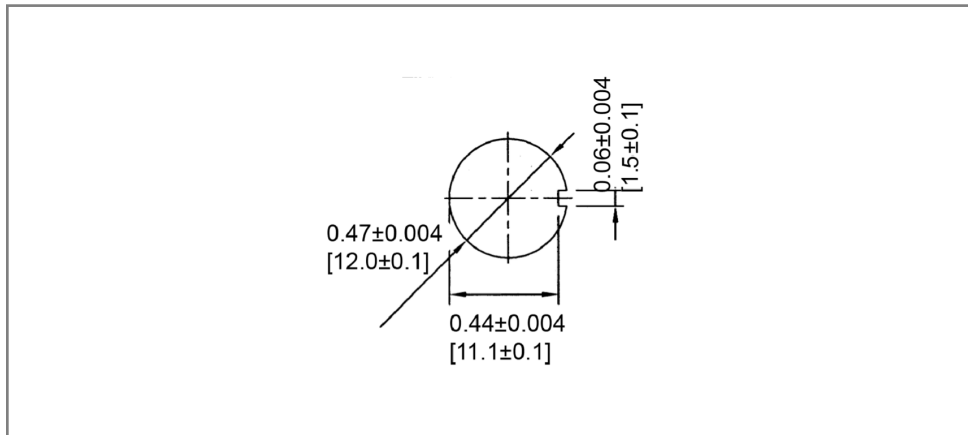


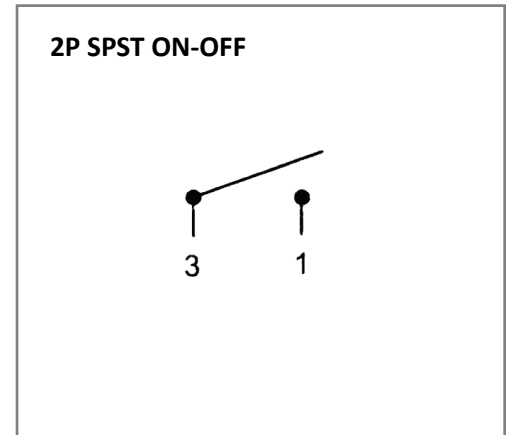
## Mechanical Dimensions: Inches [mm]



## Mounting Hole



## Circuit Diagram



## Electrical Specifications

|                       |                      |
|-----------------------|----------------------|
| Rating                | 21A 14VDC            |
| Contact Resistance    | 50m ohm Max          |
| Insulation Resistance | DC 500V 100M ohm Min |
| Dielectric Strength   | AC 1500V 1 minute    |
| Operation Temperature | 0°C~65°C             |

## Material Specifications

|                  |
|------------------|
| 1 HEX NUT ASSY   |
| 1 KNURL NUT ASSY |
|                  |
|                  |

**Rev**    **Date of issue**    **Revision Notes**

**Designed**    **Approved**

|   |            |                 |    |    |
|---|------------|-----------------|----|----|
| B | 05-17-2021 | Initial Drawing | RC | OF |
|---|------------|-----------------|----|----|