

SAW Filter: 1583.0MHz
Part No: MP05419

Model: TA1343A
Rev No: 2

A. MAXIMUM RATING:

1. Input Power Level: 13dBm
2. DC Voltage: 0V
3. Operating Temperature: -40°C to +85°C
4. Storage Temperature: -40°C to +85°C

B. ELECTRICAL CHARACTERISTICS:

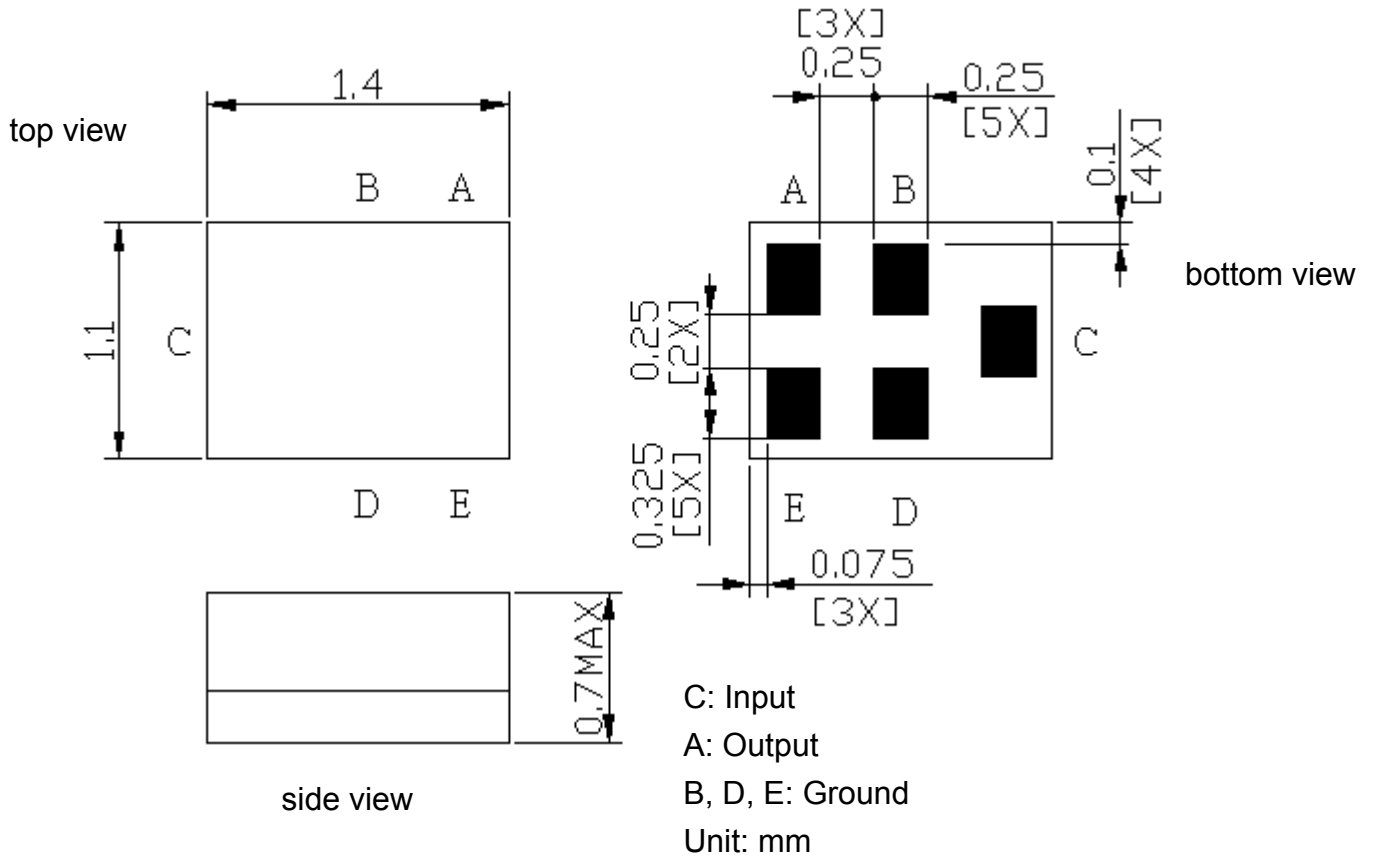
1. Terminating source impedance (single): $Z_S = 50\Omega$
2. Terminating load impedance (single): $Z_L = 50\Omega$

Item	Unit	25 ± 2°C	Typ.	-40 ~ +85°C
Center Frequency Fc	MHz	-	1583	-
Insertion Loss				
1559.1 ~ 1563.1MHz IL	dB	1.9max	1.8	2.1max
1573.42 ~ 1577.42MHz IL	dB	1.3max	1.2	1.5max
1597.55 ~ 1605.89MHz IL	dB	1.6max	1.5	2.1max
VSWR				
1559.1 ~ 1563.1MHz		1.5max	1.4	1.8max
1573.42 ~ 1577.42MHz		1.7max	1.6	1.9max
1597.55 ~ 1605.89MHz		1.7max	1.6	1.9max
Amplitude ripple				
1559.1 ~ 1563.1MHz	dB	0.6max	0.5	0.8max
1573.42 ~ 1577.42MHz	dB	0.3max	0.2	0.5max
1597.55 ~ 1605.89MHz	dB	0.5max	0.3	0.6max
Attenuation				
10 ~ 824MHz	dB	25min	30	25min
824 ~ 925MHz	dB	25min	30	25min
1427 ~ 1463MHz	dB	30min	35	30min
1710 ~ 1785MHz	dB	25min	30	25min
1850 ~ 1980MHz	dB	26min	30	26min
2400 ~ 2570MHz	dB	30min	33	30min
2570 ~ 3000MHz	dB	35min	38	35min
Package size	mm	SMD 1.4 x 1.1		

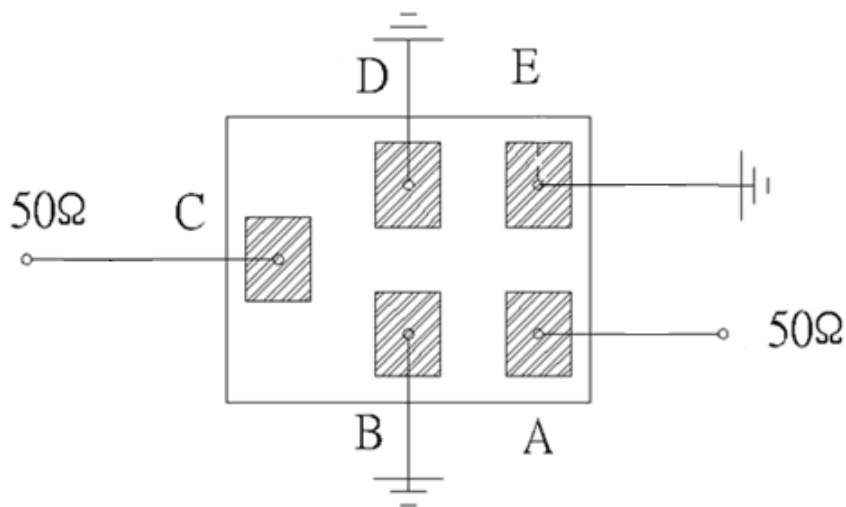
SAW Filter: 1583.0MHz
Part No: MP05419

Model: TA1343A
Rev No: 2

C. OUTLINE DRAWING:



D. MEASUREMENT CIRCUIT:

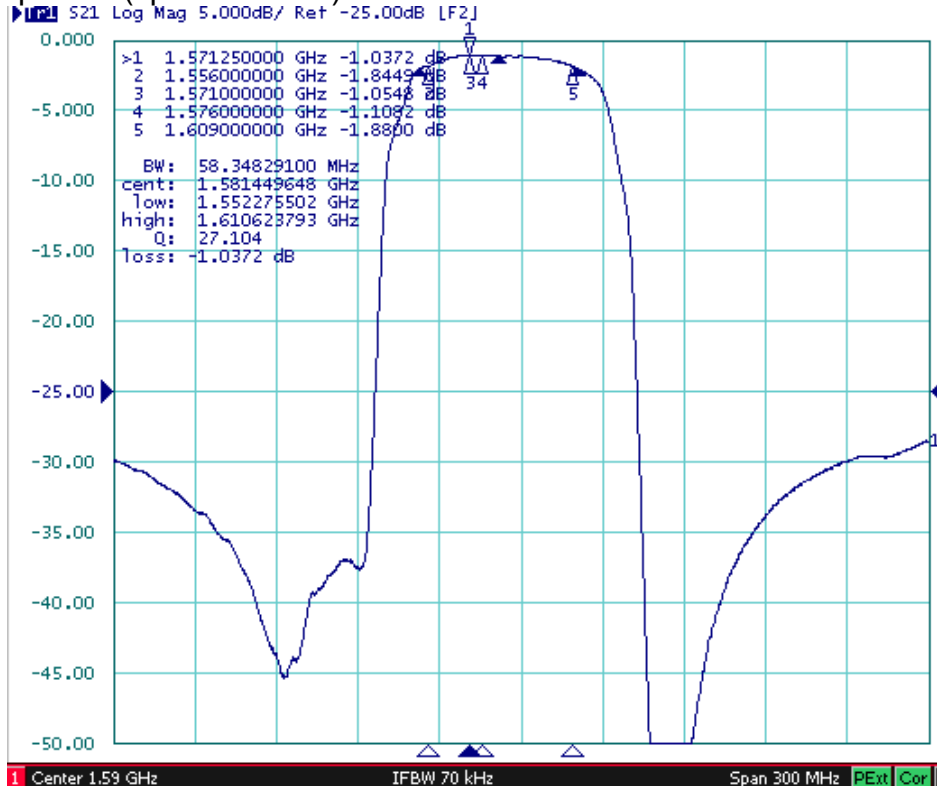


SAW Filter: 1583.0MHz
Part No: MP05419

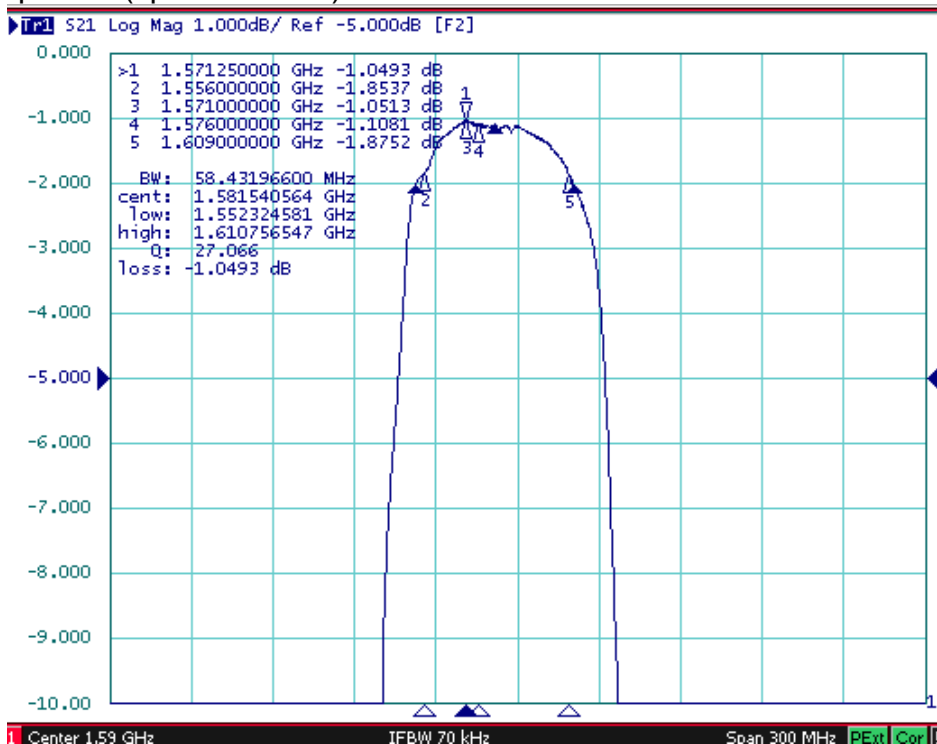
Model: TA1343A
Rev No: 2

E. FREQUENCY CHARACTERISTICS:

1. S21 response: (span 300MHz)



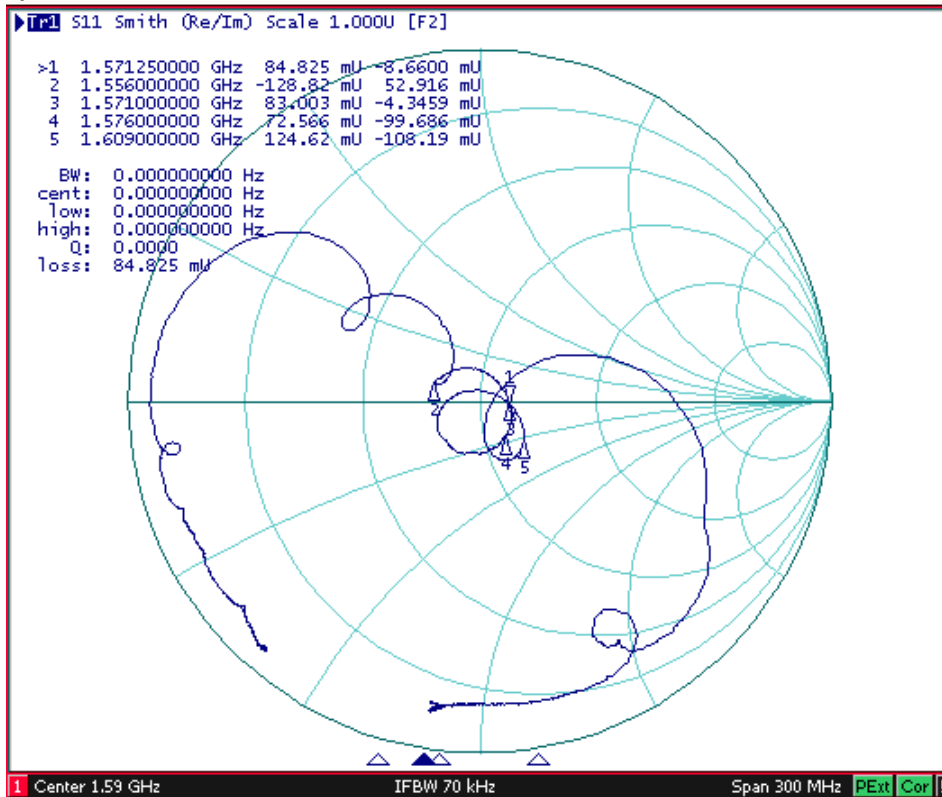
2. S21 response: (span 300MHz)



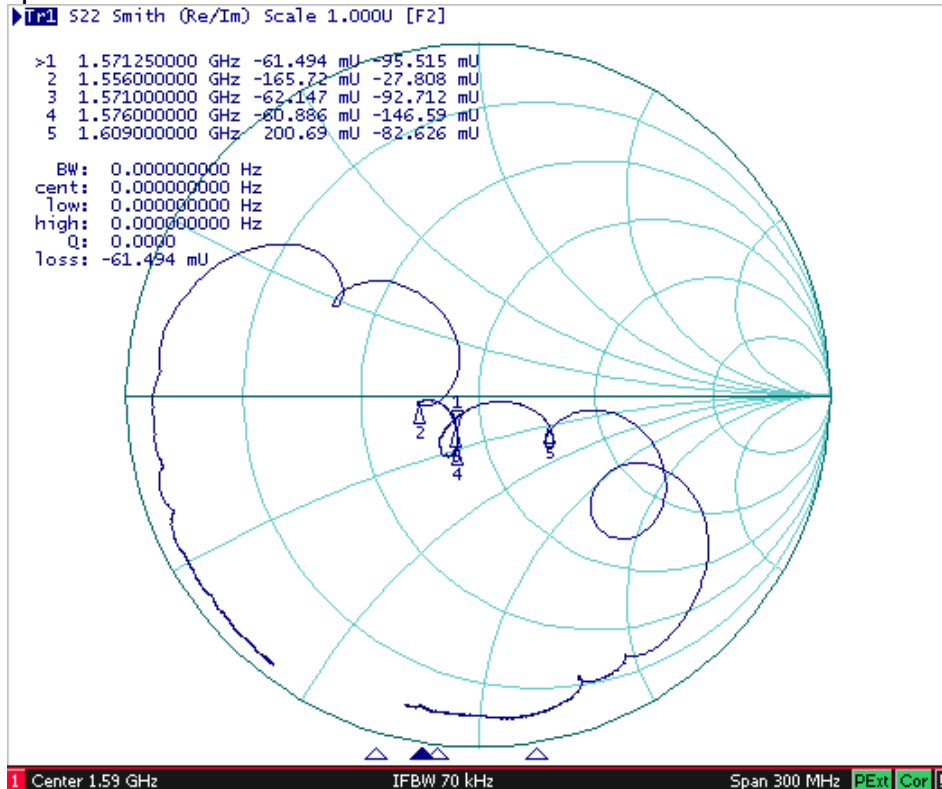
SAW Filter: 1583.0MHz
Part No: MP05419

Model: TA1343A
Rev No: 2

3. S11 response



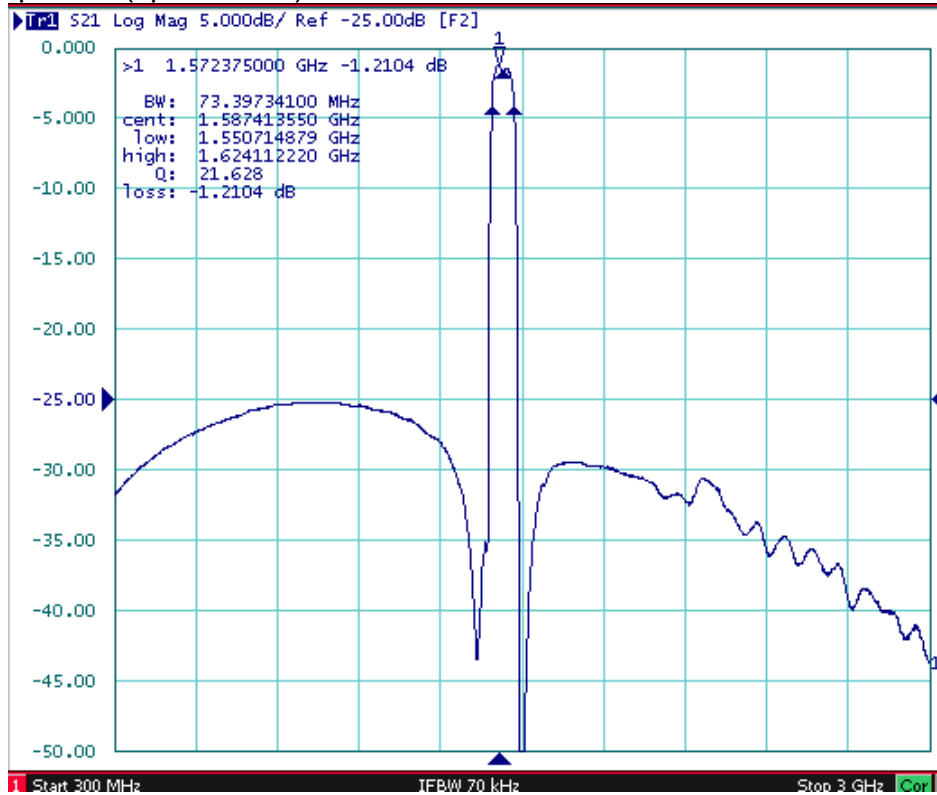
4. S22 response



SAW Filter: 1583.0MHz
Part No: MP05419

Model: TA1343A
Rev No: 2

5. S21 response: (span 3GHz)



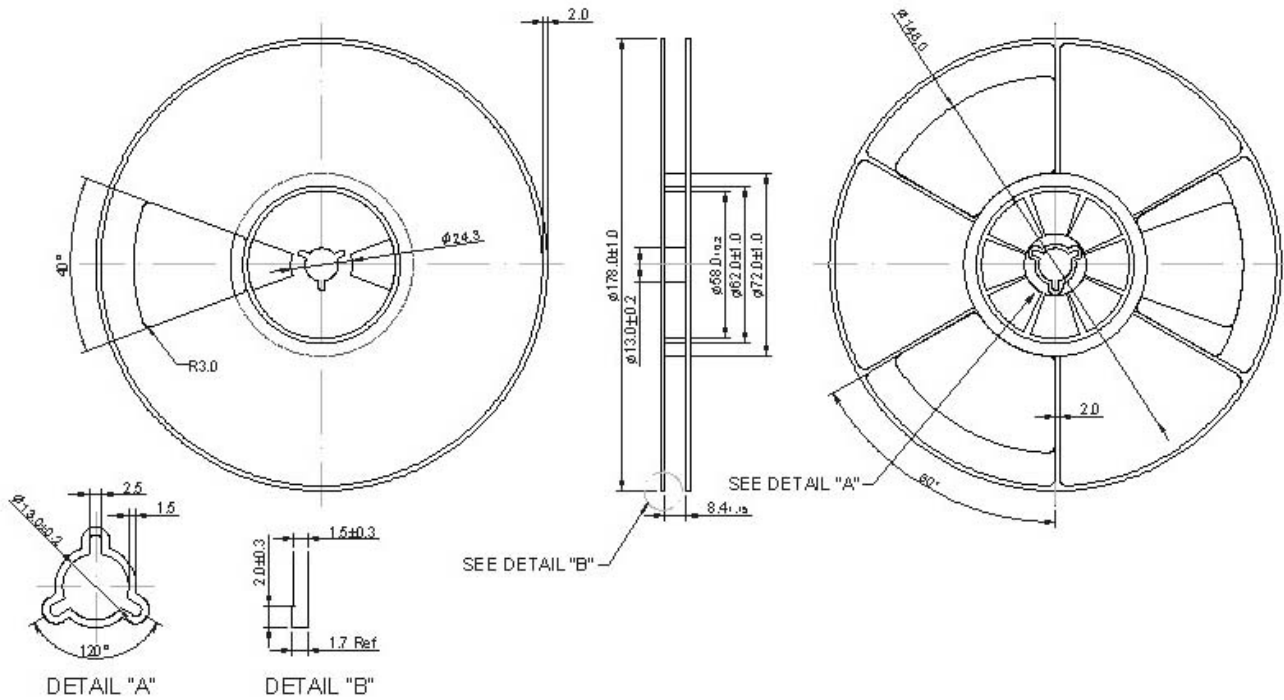
SAW Filter: 1583.0MHz
Part No: MP05419

Model: TA1343A
Rev No: 2

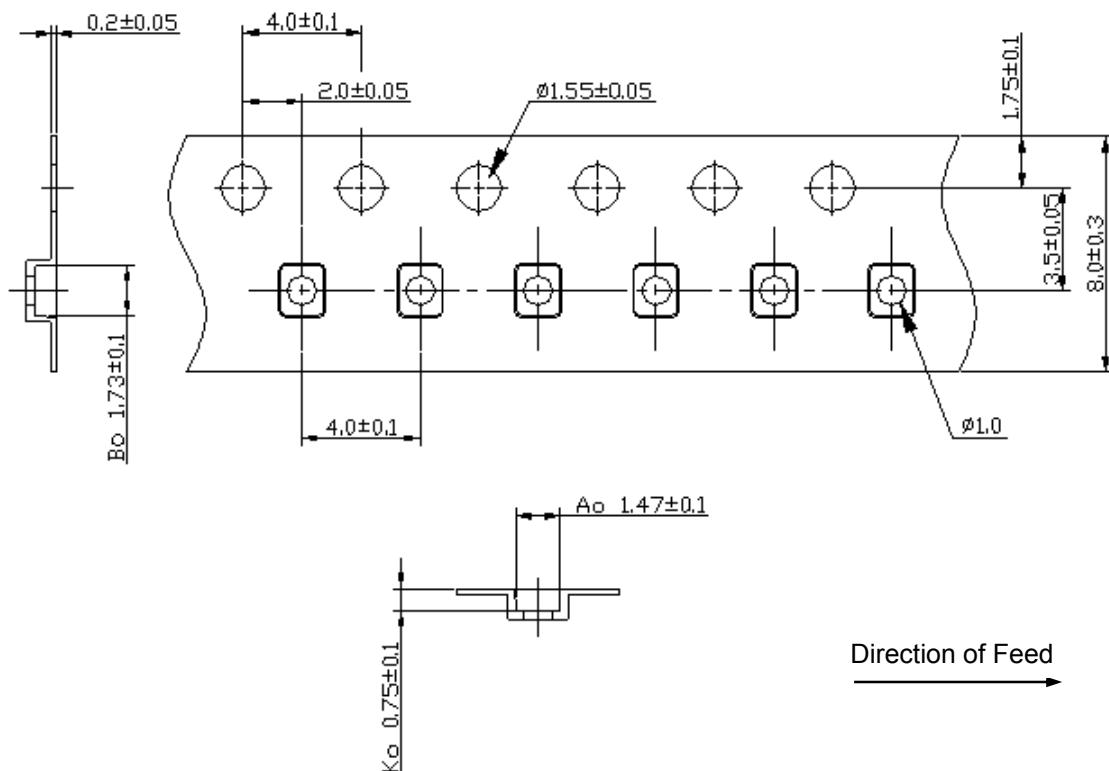
F. PACKING:

1. Reel Dimension

(Please refer to FR-75D10 for packing quantity)



2. Tape Dimension



SAW Filter: 1583.0MHz
Part No: MP05419

Model: TA1343A
Rev No: 2

G. RECOMMENDED REFLOW PROFILE:

