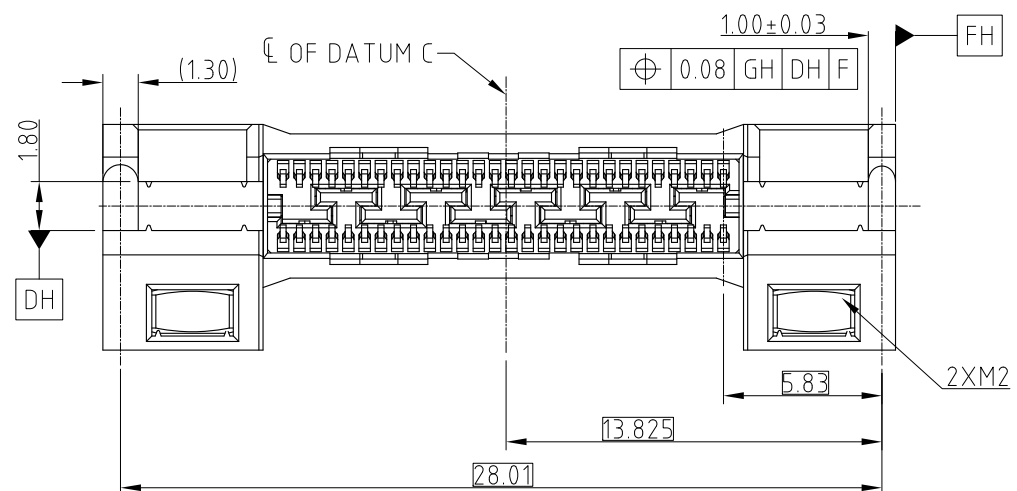
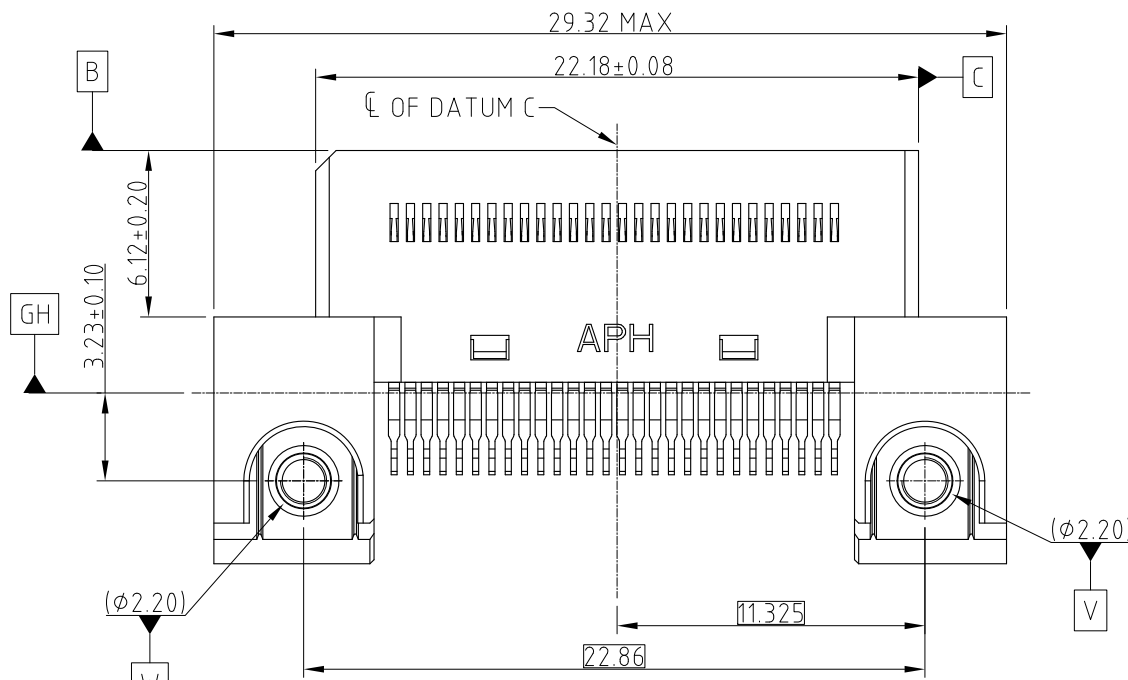
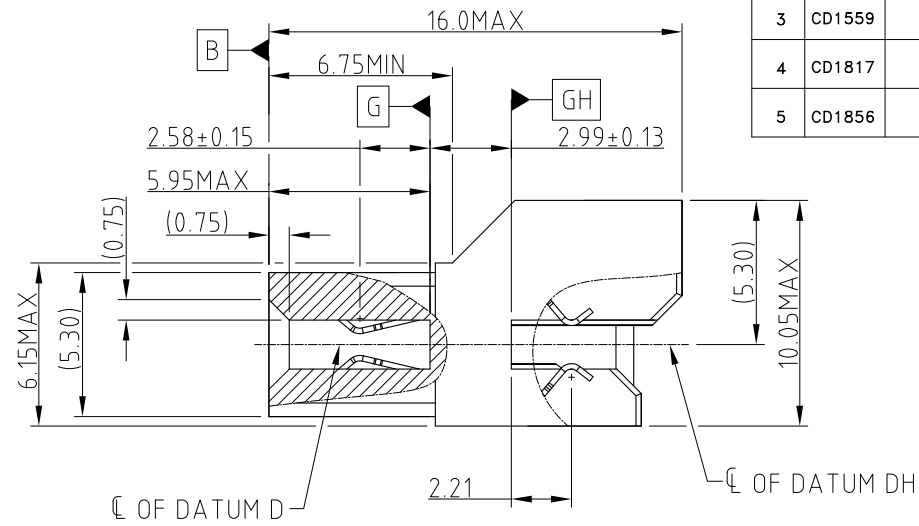
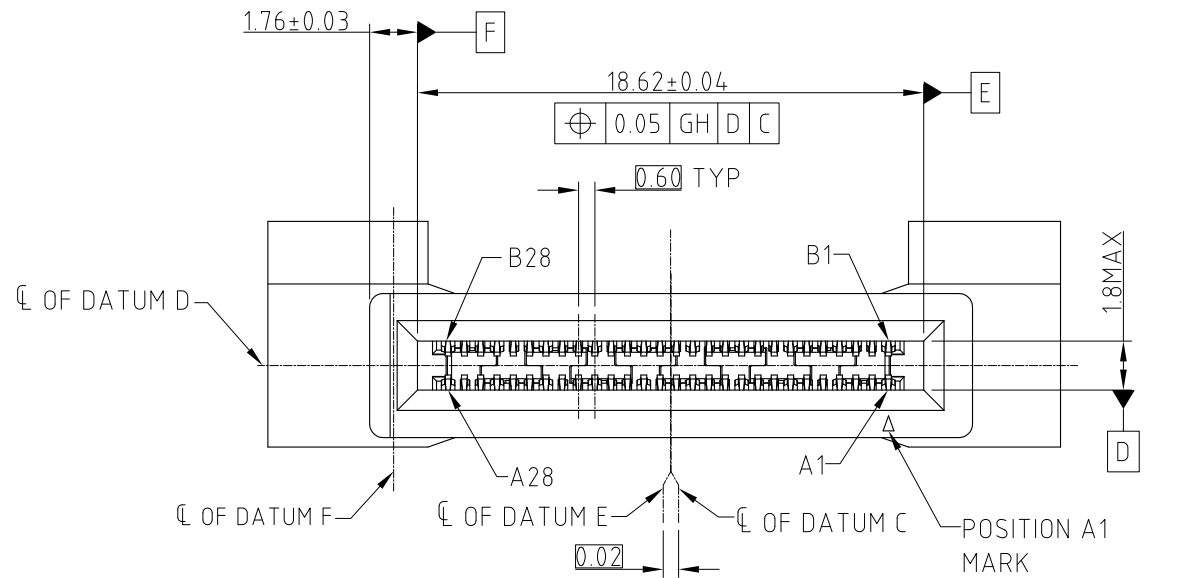


This document is the property of Amphenol Corporation and is delivered on the express condition that it is not to be disclosed, reproduced or used, in whole or in part, for manufacture or sale by anyone other than Amphenol Corporation without its prior consent, & that no right is granted to disclose or to use any information in this document.

CUSTOMER DRAWING

REVISIONS

SYM	ECN	DESCRIPTION	DATE	APPROVED
1	CDXXXX	PRELIMINARY PROPOSAL	Aug.16,2018	YH
2	CDXXXX	REMOVED PROPOSAL DRAWING	Aug.21,2018	YH
3	CD1559	UPDATED BY SFF TA 1002 REV 1.1.3	Nov.08,2018	YH
4	CD1817	CHANGE NUT FROM STANDARD TO RECTANGLE AND ADD PACKING	Jul.12,2019	YH
5	CD1856	STANDARDIZE THE WAFER CONSTRUCTURE	Sep.24,2019	YH



NOTE:

- MATERIAL:**
HOUSING: HIGH TEMPERATURE THERMOPLASTIC BLACK UL94-V0
CONTACT: COPPER ALLOY
NUT: STAINLESS STEEL
- PLATING:**
CONTACT: MATING AREA: Au THICKNESS PLEASE REFER TO P/N SYSTEM OVER 1.27-2.54 μm NICKEL UNDERPLATED
SOLDER AREA: 1.27 μm MIN TIN OVER 1.27-2.54 μm NICKEL UNDERPLATED
- ELECTRICAL PERFORMANCE:**
RATED CURRENT: 1.1A/PIN UP TO 12PINS
LLCR: 30mΩ MAX, DELTA 15 mΩ.
INSULATION RESISTANCE: 1000MΩ MIN
- DURABILITY:** 200 CYCLES.
- MATERIAL SHOULD BE FULFILLED AMPHENOL SPEC#S-SN-002 AND S-SN-004**
- ORDERING PN:** REFER TO THE PN SYSTEM: ME100561340110X

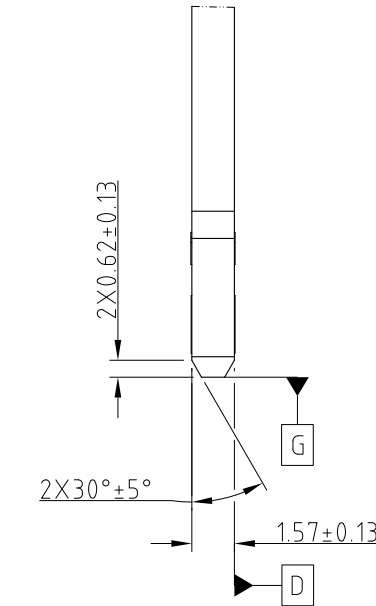
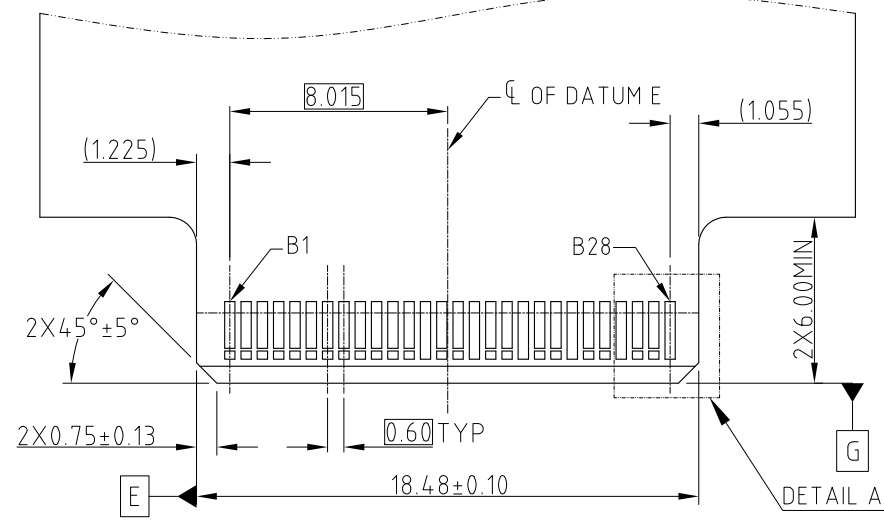
- PLATING SPEC
- 0.76um Au
 - 0.38um Au
 - GOLD FLASH
 - PdNi 0.76um+G/F

UNLESS OTHERWISE SPECIFIED TOLERANCES		APPROVAL	DATE	Amphenol
	U.S. METRIC	DRAWN	Teng.Cao Sep.24,2019	
.X	+/- 0.25	CHECKED	Ly.Yi Sep.24,2019	
.XX	+/- 0.20	APPROVED		
.XXX	+/- 0.15			
FRACTIONS	+/- 5°	DRAWING FILE :	INTERNAL\DRAWING\ME\C ME100561340110X	
ANGLES	+/-	ANGLE OF PROJECTION		
FOR MATERIALS AND FINISHES SEE NOTES				TITLE
REMOVE SHARP EDGES				MINI COOL EDGE CONNECTOR
DIMENSIONS				56P S/M MATE 1.57 HOST PCB
—U.S.—	INCHES			SIZE
(METRIC)	(mm)			DRAWING NO.
				A3 C ME100561340110X
				REV.
				5
				SCALE
				NONE
				SHEET 1 OF 3

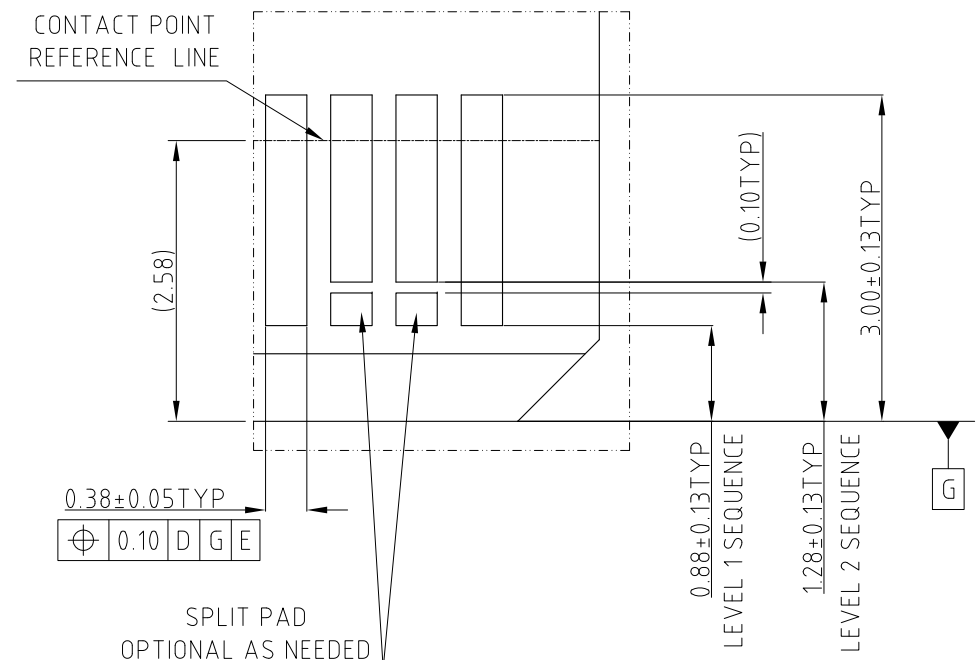
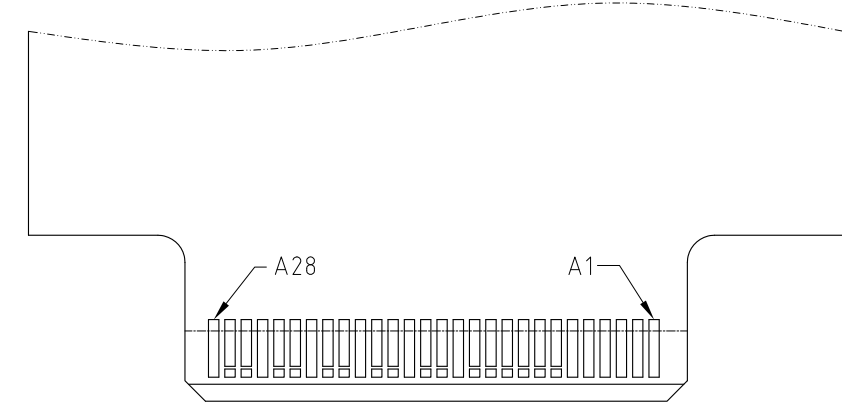
This document is the property of Amphenol Corporation and is delivered on the express condition that it is not to be disclosed, reproduced or used, in whole or in part, for manufacture or sale by anyone other than Amphenol Corporation without its prior consent, & that no right is granted to disclose or to use any information in this document.

CUSTOMER DRAWING

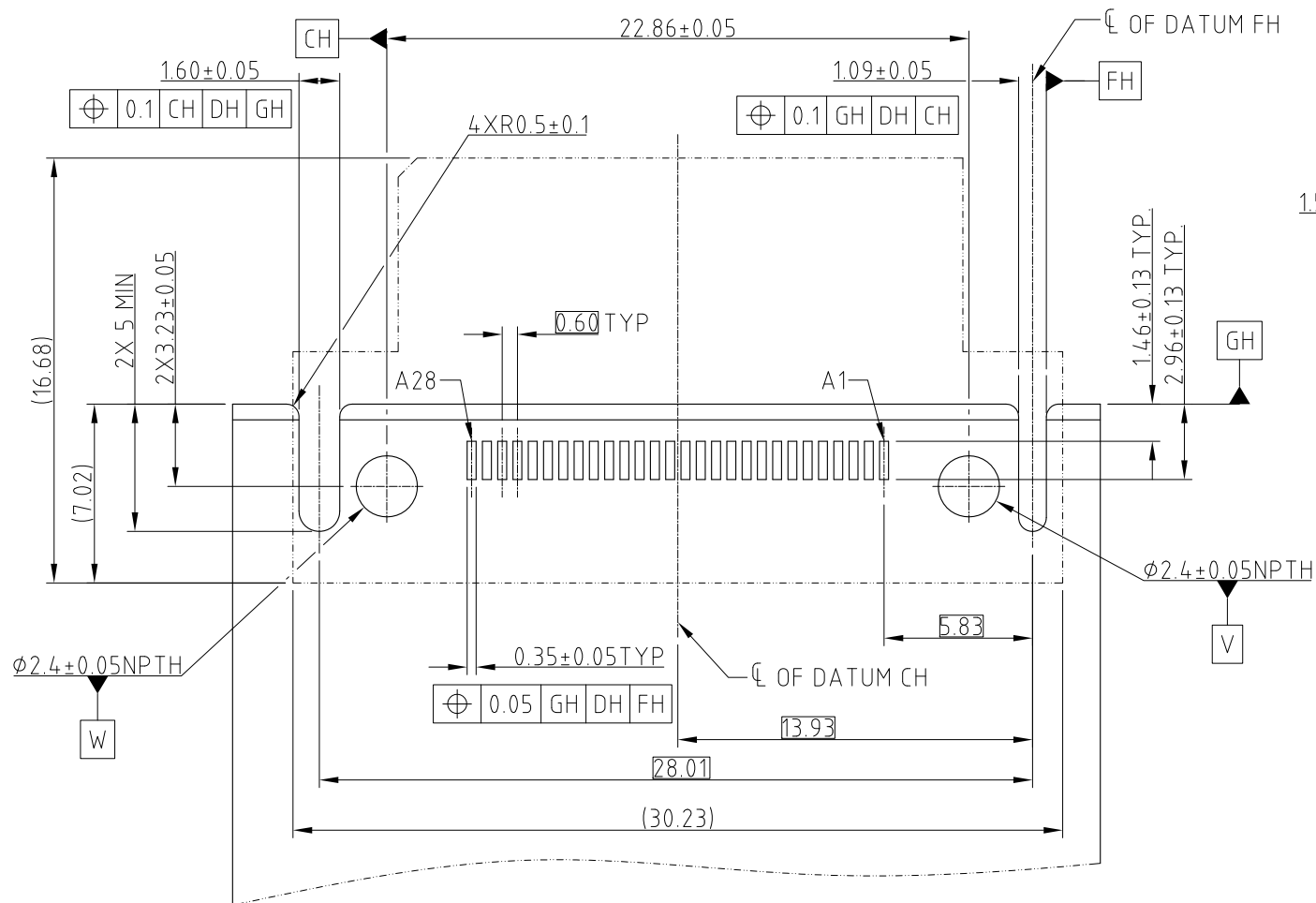
REVISIONS				
SYM	ECN	DESCRIPTION	DATE	APPROVED
		SEE SHEET 1		



RECOMMENDED AIC MATING CARD



DETAIL A SCALE 4:1



NOTE: POSITION B1 ON THE OPPOSITE SIDE OF CARD OF A1
RECOMMENDED FOOTPRINT



UNLESS OTHERWISE SPECIFIED TOLERANCES	
U.S.	METRIC
.X +/-	0.25
.XX +/-	0.20
.XXX +/-	0.15
FRACTIONS +/-	5°
ANGLES +/-	
FOR MATERIALS AND FINISHES SEE NOTES	
REMOVE SHARP EDGES	
DIMENSIONS	
—U.S.—	INCHES
(METRIC)	(mm)

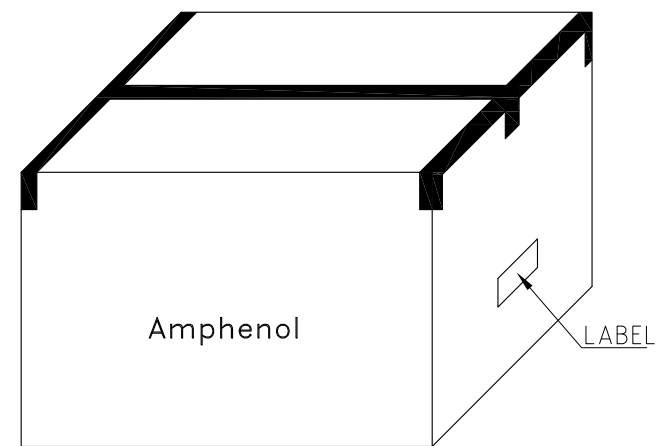
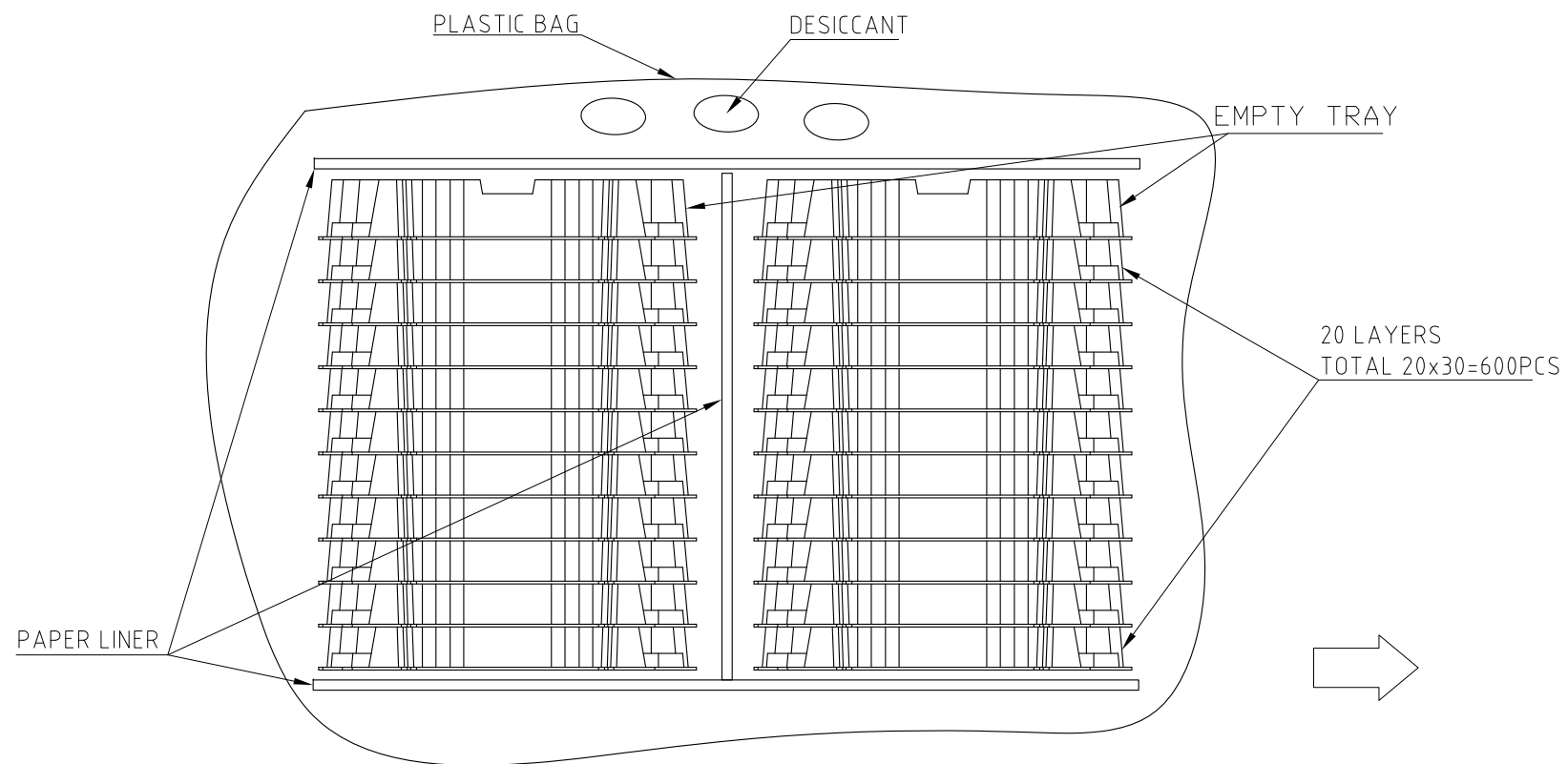
APPROVAL	DATE
DRAWN Teng.Cao	Sep.24,2019
CHECKED Ly.Yi	Sep.24,2019
APPROVED	
DRAWING FILE :	
INTERNAL\DRAWING\ME\C ME100561340110X	
ANGLE OF PROJECTION	

Amphenol		
TITLE		
MINI COOL EDGE CONNECTOR		
56P S/M MATE 1.57 HOST PCB		
SIZE	DRAWING NO.	REV.
A3	C ME100561340110X	5
SCALE	NONE	SHEET 2 OF 3

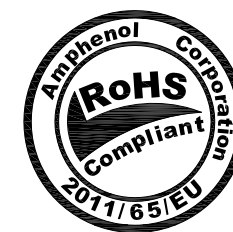
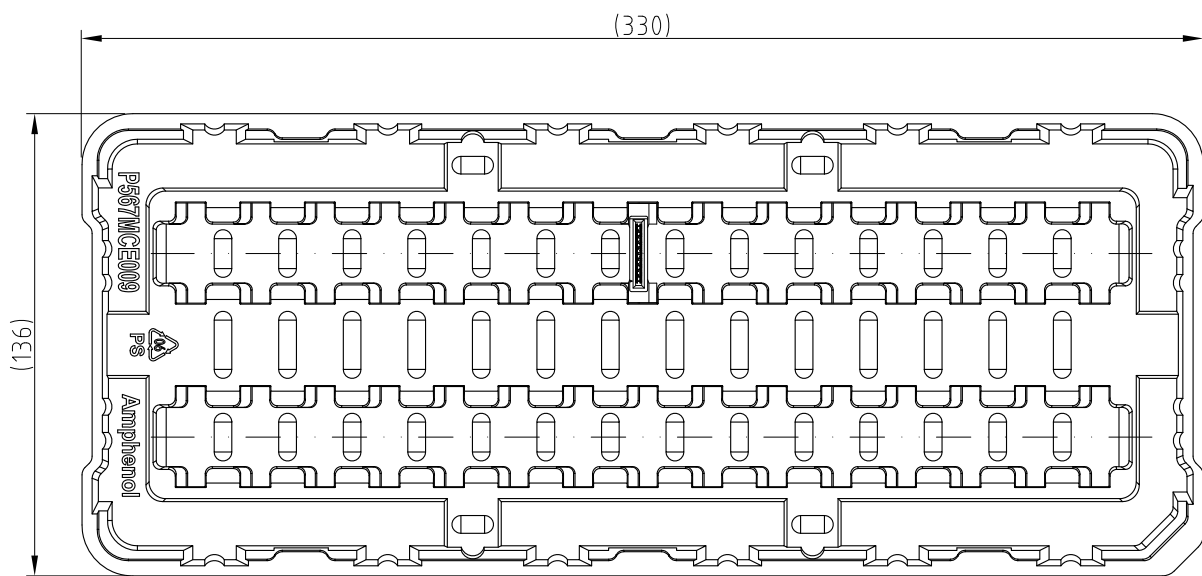
This document is the property of Amphenol Corporation and is delivered on the express condition that it is not to be disclosed, reproduced or used, in whole or in part, for manufacture or sale by anyone other than Amphenol Corporation without its prior consent, & that no right is granted to disclose or to use any information in this document.

CUSTOMER DRAWING

REVISIONS				
SYM	ECN	DESCRIPTION	DATE	APPROVED
		SEE SHEET 1		



30 CONNECTORS / TRAY



UNLESS OTHERWISE SPECIFIED TOLERANCES		APPROVAL	DATE	Amphenol		
	U.S. METRIC	DRAWN	Teng.Cao			Sep.24,2019
.X +/-	0.25	CHECKED	Ly.Yi			Sep.24,2019
.XX +/-	0.20	APPROVED			TITLE	
.XXX +/-	0.15				MINI COOL EDGE CONNECTOR	
FRACTIONS +/-					56P S/M MATE 1.57 HOST PCB	
ANGLES +/-	5°				SIZE	
FOR MATERIALS AND FINISHES SEE NOTES		DRAWING FILE :		INTERNAL\DRAWING\ME\C ME100561340110X	DRAWING NO.	
REMOVE SHARP EDGES		ANGLE OF PROJECTION			REV.	
DIMENSIONS				A3	C	
—U.S.—	INCHES			ME100561340110X	5	
(METRIC)	(mm)			SCALE	NONE	SHEET 3 OF 3