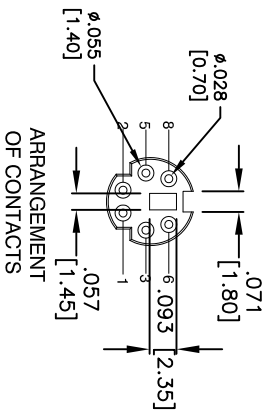
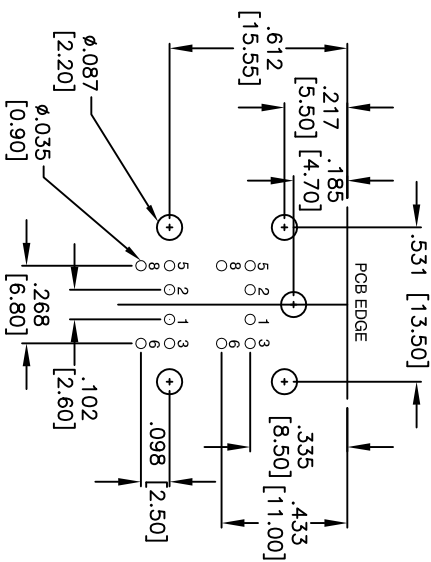
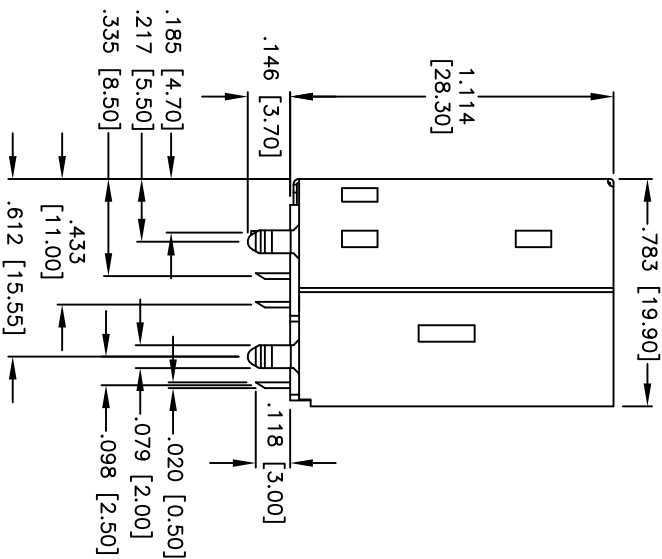
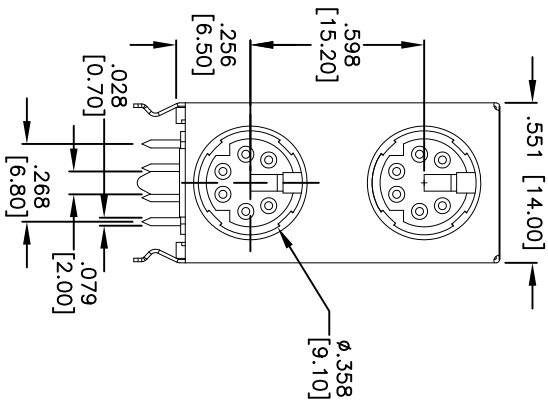


APPROVED: _____
 DATE: _____ TITLE: _____

Rev	AWO #	Description	Date	Appr
-		RELEASED	9/14/04	
A		REDRAWN	6/30/15	AY/MW



SPECIFICATIONS:

Material:
 Insulator: PBT, glass filled, rated UL 94V-0
 Insulator color: Black
 Contacts: Phosphor Bronze
 Shield: Copper Alloy, Tin plated
Plating:
 Gold over Nickel underplate on contact area,
 Tin over Copper underplate on tails
Electrical:
 Operating voltage: 100 VAC/12 VDC max.
 Current rating: 1 Amp max./2 Amps max.
 Contact resistance: 30 mohms max. initial
 Insulation resistance: 100 Mohms min @500 VDC.
 Dielectric withstanding voltage: 250 VAC for 1 minute
 Environmental:
 Lead free, RoHS compliant.



UNLESS OTHERWISE SPECIFIED
 ALL DIMENSIONS ARE IN INCHES [MM]
 TOLERANCES: EXCEPT AS NOTED
 INCHES
 .X ± .10
 .XX ± .020
 .XXX ± .015
 .XXX ± .015
 Holes
 ØX ± .10
 ØXXX ± .015
 ØXXX ± .010
 APPROVALS
 DRAWN SS 9/14/04
 CHECKED
 APPROVED

ADAM TECH

909 Rahway Avenue, Union, NJ 07083
 Phone: 908-687-5000 Fax: 908-687-5710

MINI DIN JACK, STACKED 6 POSITION
 RIGHT ANGLE, FULLY SHIELDED

SIZE	PART NO.	REV.
X	MDJD-006-FS-RT	A
REF:	S00095T	SCALE: NTS
		SHEET 1 OF 1