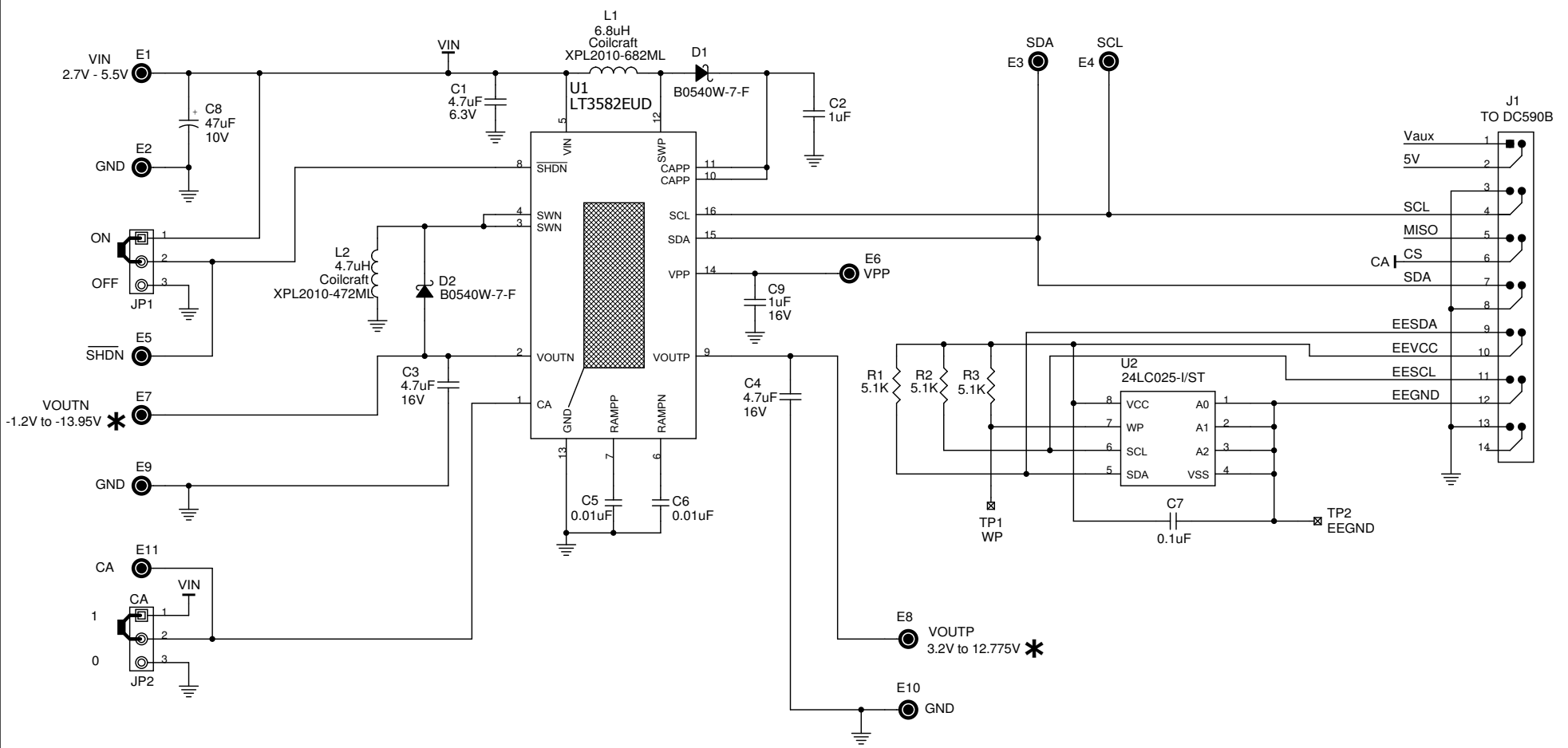


This circuit is proprietary to Linear Technology and supplied for use with Linear Technology parts.
Customer Notice: Linear Technology has made a best effort to design a circuit that meets customer-supplied specifications; however, it remains the customer's responsibility to verify proper and reliable operation in the actual application. Component substitution and printed circuit board layout may significantly affect circuit performance or reliability. Contact Linear Applications Engineering for assistance.

REVISION #				REVISION HISTORY		
SD	PC	AD	FD	DESCRIPTION	DATE	APPROVED
0	0	0	0	1st Release		
3	2	2	2	D1 & D2, from MBR0520 to B0540WS	04/29/09	J.Rosales



* For Output Current Refer to QSG

VOUTP	_____	V
VOUTN	_____	V
IRAMP	_____	μA
PU SEQ	_____	
PD DIS	_____	
LOCKED	_____	

APPROVALS		LINEAR TECHNOLOGY CORPORATION	
DRAWN: Rudy Bautista		1630 McCARTHY BLVD MILPITAS, CA. 95035 (408)432-1900 (408)434-0507 (FAX)	
ENGINEER: J. Rosales		www.linear.com LTC Confidential - For Customer Use Only	
APPROVED:		Title: LT3582EUD I ² C Programmable Boost & Single Inductor Inverting DC/DC Converters with OTP	
CHECKED:		SD	Document Number Demo Circuit 1247A
Date: Wednesday, April 29, 2009	C:\ORCADWIN\CAPTURE\1247A\1247A_00_REV3.DSN	Sheet 1 of 1	Rev 3