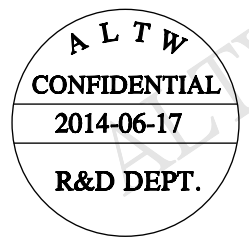
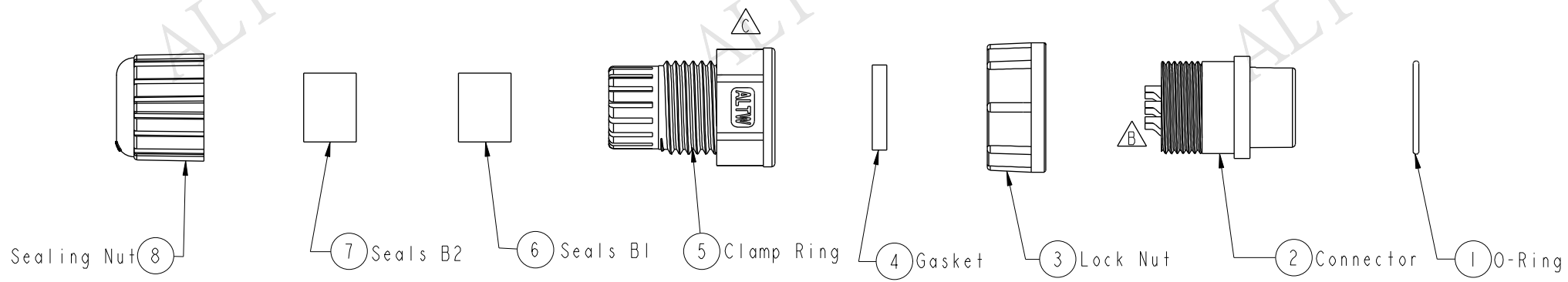
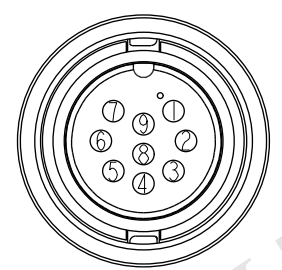


THIS DOCUMENT IS SUBJECT TO CHANGE WITHOUT NOTICE. IT IS CONFIDENTIAL AND A PROPERTY OF AMPHENOL LTW. DISCLOSURE TO THIRD PARTY HAS TO BE AUTHORIZED BY AMPHENOL LTW.

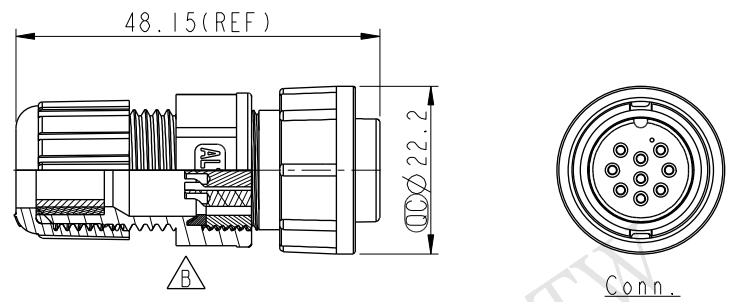
REV.	ECN NO.	DATE	SIGN	DESCRIPTION
B	LEN-0C0116	2010/11/23	IVNA	Change 前導角 View
C	LEN1460169	2014/06/17	Jason.Yu	Modify Clamp Ring LOGO



- Note:
- * \varnothing Important Dimension To Check.
 - * Waterproof Rate: IP67
 - * Housing: Nylon+GF, Black.
 - * Female Pin: Copper Alloy, Gold Plated.
 - * O-Ring: EPDM, Black.
 - * Lock Nut: Nylon+GF, Black.
 - $\triangle B$ * Gasket: Silicone, Black
 - * Seals: EPDM, Black
 - * Clamp Ring: Nylon, Black.
 - * Sealing Nut: Nylon, Black.
 - * Seals B1 for Cable OD: $\varnothing 7.6\text{mm} \sim \varnothing 9.6\text{mm}$
 - * Seals B2 for Cable OD: $\varnothing 4.0\text{mm} \sim \varnothing 7.6\text{mm}$
 - * One Set Unassembled In One PE Bag.



Pin Assignments
Front View



Conn.

UNIT:mm TOLERANCE .X ±0.25 .XX ±0.1 .XXX ±0.05 ANGLES ±1°	TITLE Middle, Assy Lock 9Pin F Conn F Pin		Amphenol LTW 安費諾亮泰企業股份有限公司		ITEM NO CD-09BFFA-LL7001	DRAWN BY Jason.Yu	DATE 2014-06-17
	SCALE 1:1	SIZE A4			SHEET 1 OF 1	DWG NO CD-09BFFA-LL7001	CHECKED BY Kris
REV. C	WC-REV. A.2	\varnothing : Inspection item	CUSTOMER ALTW	APPROVED BY WenMao	DATE 2014-06-17		