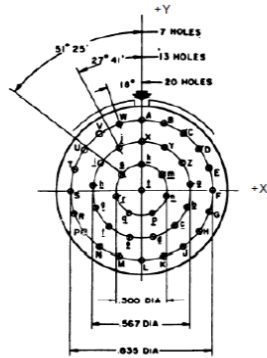


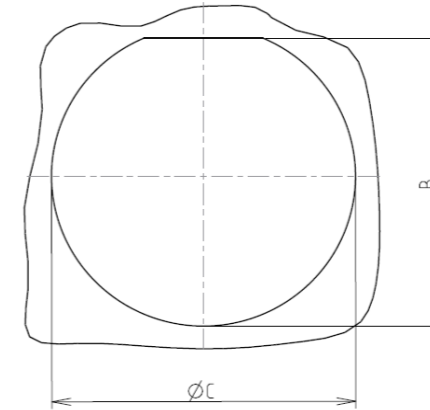
Contact Layout



Insert arrangement 21-41						
Shell size	Arrangement no.	Number of contacts	Size contacts	Service rating	Contact location	Supersedes
21	-41	41	20	I	All	MS20055-41

Panel cutout

JAM NUT RECEPTACLE (TYPE 7)



Max. thickness panel for receptacle: Type 7: 3.2 mm

Dim	Nominal
B	37.08+0/-0.25
ØC	38.35+0.25/-0

SOURIAU shall not be liable for any non-conformity or damage due to a use of the Products which does not comply with the Specifications issued by either of the Parties or by a third party (professional recommendation, technical notice.)

Country	Jurisdiction & Control List
FR	Not Listed

PN: 8D721K41BA

A	08-11-2016	First Release	
ISS	DATE	Latest modification - by	MOD N°
Designed By:		Date:	CUSTOMER DRAWING
TITLE	Stainless Steel Receptacle 8D series		
SCALE		General linear Tolerances:	NPRDS / PROJECT
NA		±--	859
SOURIAU	WWW.SOURIAU.COM		This document is the property of SOURIAU it must not be reproduced or communicated without permission
FORMAT	SOURIAU DRG N° 8D721K41BA-C		SHEET 2/2