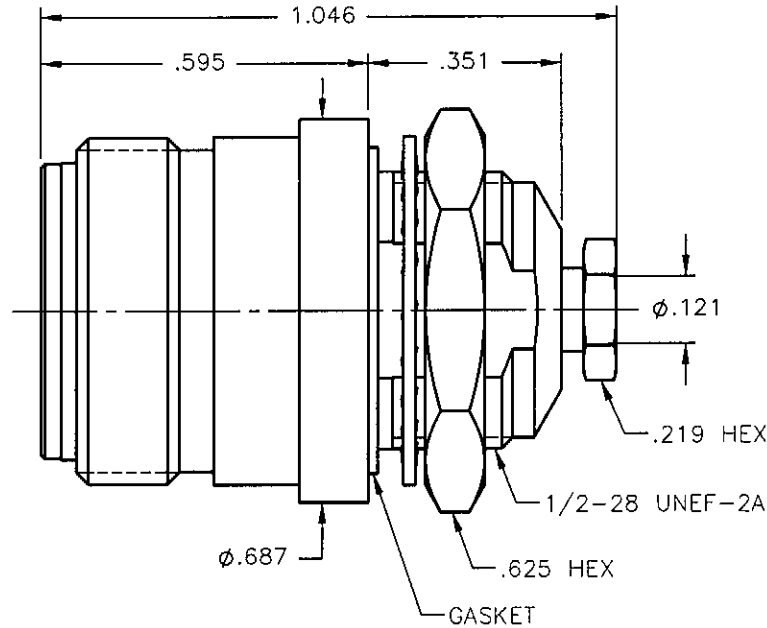




REVISIONS			
REV.	DESCRIPTION	DATE	APPROVED
A	ECO #7446	02/05/09	A.D.M.



NOTES:


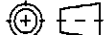
MATERIALS:

1. INSULATORS = VIRGIN WHITE TEFLON PER ASTM D1710, GRADE 1, TYPE I, CLASS "B".
2. CONTACT = BERYLLIUM COPPER PER ASTM B196, ALLOY C17300, TEMPER TD04.
3. GASKET = SILICONE RUBBER 45-55 DUROMETER, DOW CORNING SILASTIC 250.
4. LOCKWASHER = PHOSPHOR BRONZE PER ASTM B139, COPPER ALLOY C53400, TEMPER H04.
5. ALL OTHER METAL PARTS = BRASS PER ASTM B16, ALLOY C36000, TEMPER H02.

FINISHES:

1. CONTACT = GOLD PLATE PER MIL-G-45204, TYPE II, CLASS 1, GRADE C, OVER .00010 TO .00020 STRESS FREE SULFAMATE NICKEL PER QQ-N-290.
2. SOLDER FITTING = GOLD PLATE PER MIL-G-45204, TYPE II, CLASS 0, GRADE C, OVER .00010 TO .00020 COPPER STRIKE PER MIL-C-14550.
3. ALL OTHER METAL PARTS = NICKEL PLATE PER QQ-N-290, CLASS 1, GRADE G, EXCEPT .0001 TO .0002 THICK OVER .00005 TO .0001 THICK COPPER PER MIL-C-14550.

Property of Radiall Incorporated  
 This document cannot be reproduced or  
 communicated to a third party without prior  
 written permission of RADIALL Incorporated.

UNLESS OTHERWISE SPECIFIED DIMENSIONS ARE IN INCHES TOLERANCES ON		DWN: A.D.M.	DATE 02/05/09	 <b>APPLIED ENGINEERING PRODUCTS</b> a RADIALL company 104 John W. Murphy Dr. New Haven, CT 06513
		CHKD: D.N.	DATE 02/05/09	
DECIMAL	ANGLE	APVD: J.M.	DATE 02/05/09	<b>TYPE "N" STRAIGHT JACK          BULKHEAD FRONT MOUNT SOLDER/CLAMP          TYPE FOR .085 S/R &amp; SIMILAR CABLES</b>
REFERENCE:	MATERIALS & FINISHES: SEE NOTES	SIZE A	FSCM NO. 19505	
ORIGINATED: D.N. DATE: 02/05/09		SCALE 3:1	THIRD ANGLE PROJECTION	REV A
			 SHEET 1 OF 1	

4502-7041-010