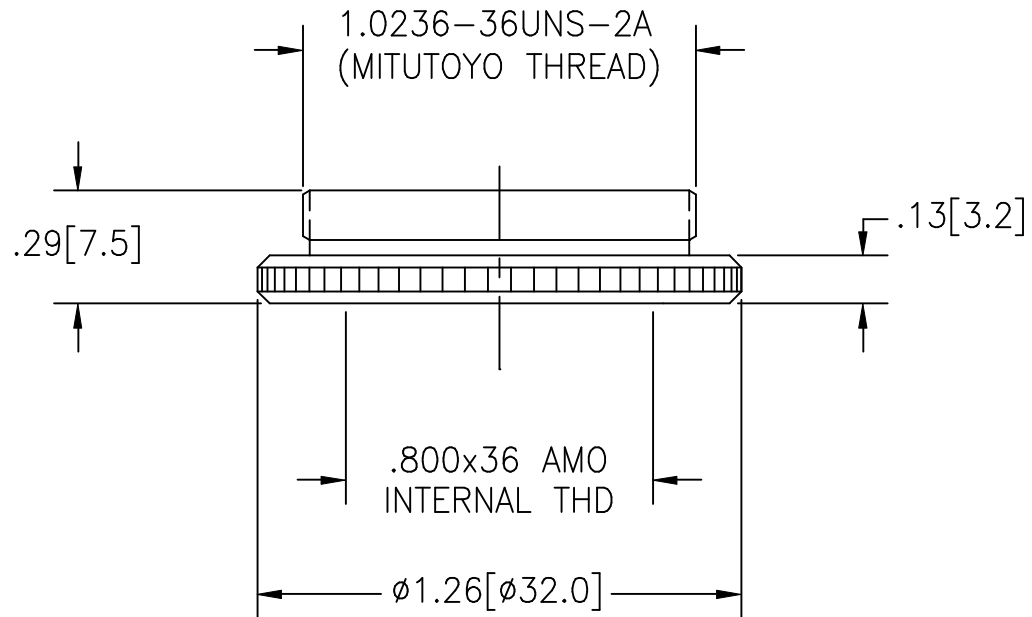


# 29-20-32 MITUTOYO THREAD TO RMS (AMO) BUSHING



REV A 02JN97

