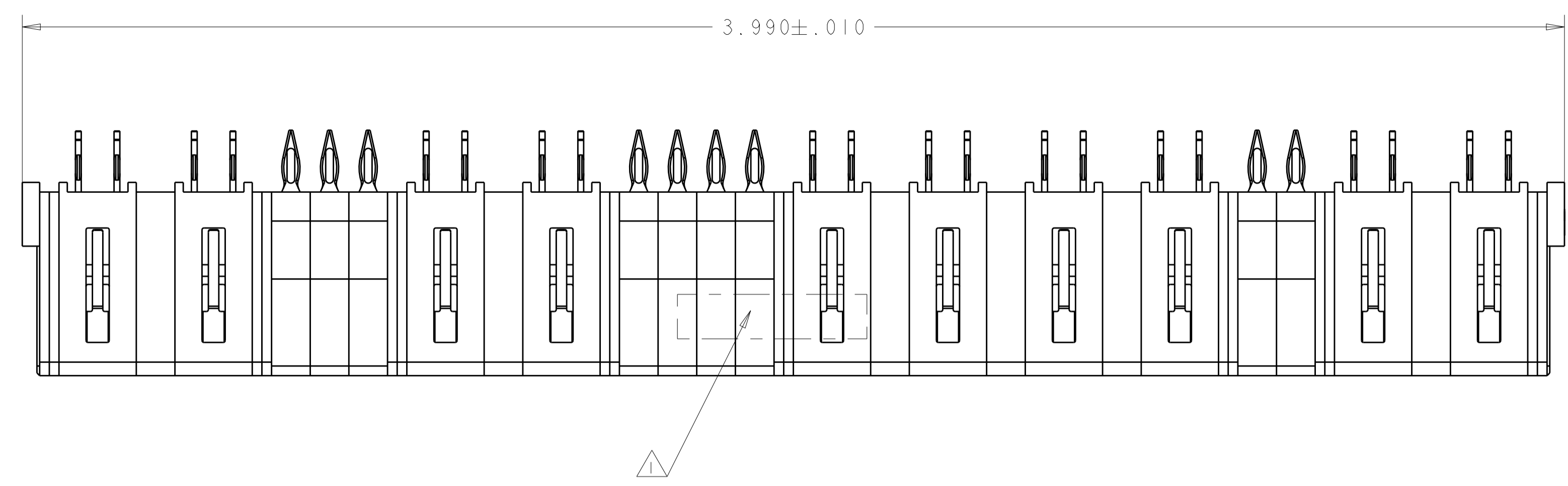
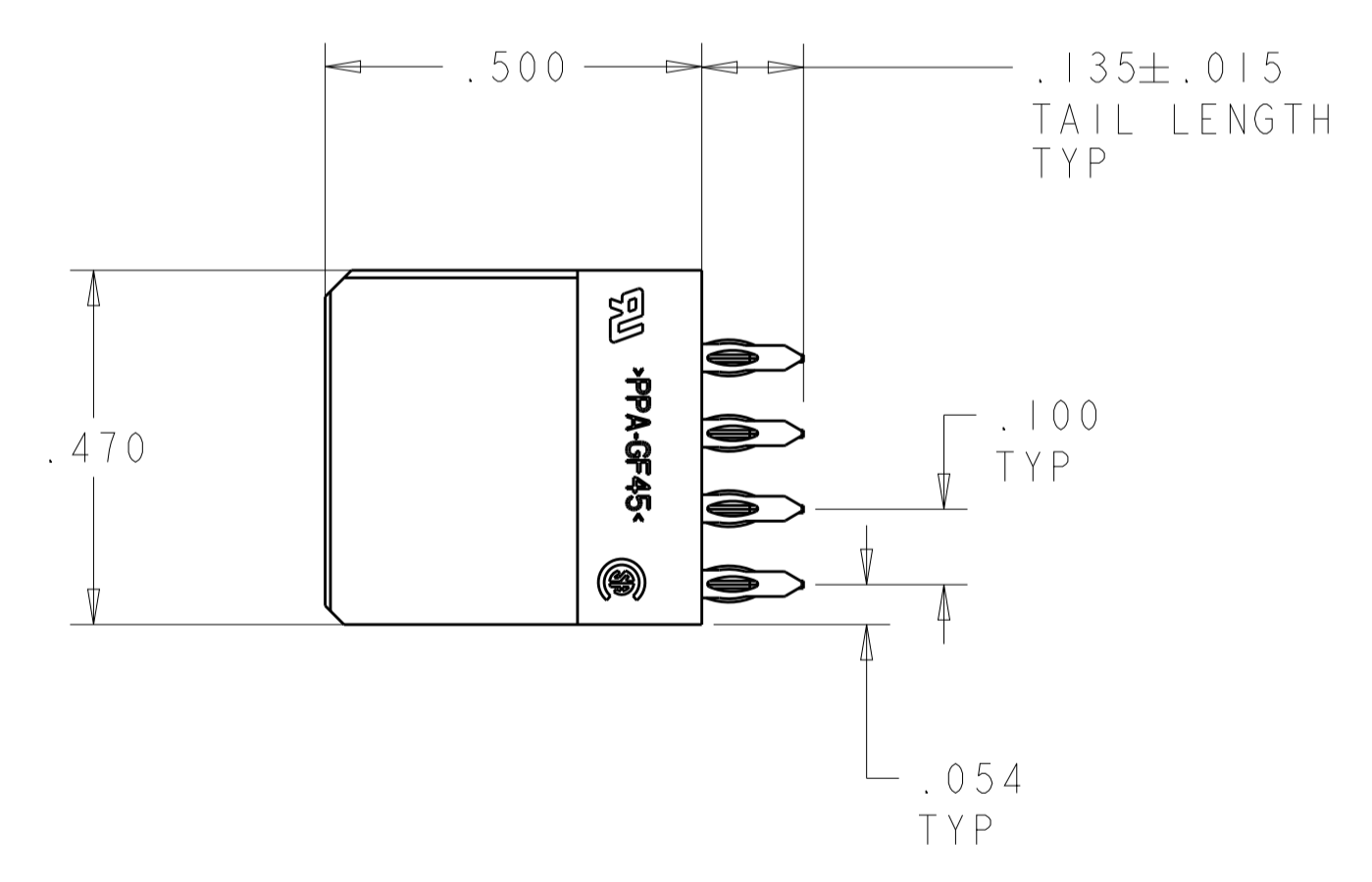
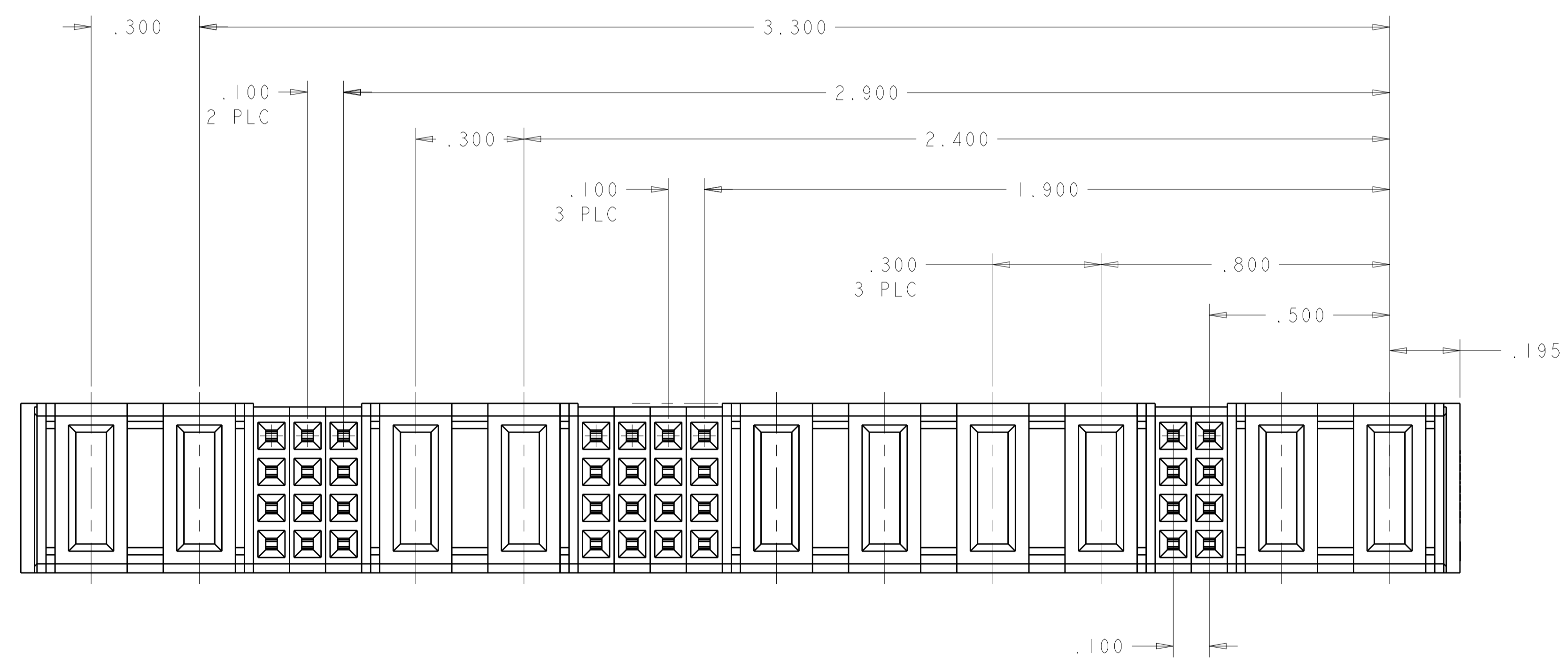


REVISIONS				
REV	LTN	DESCRIPTION	DATE	APVD
B		REV PER ECO 19-005206	4-23-19	CT DH



- 1 "TE", PART NUMBER AND DATE CODE TO BE MARKED IN AREA SHOWN PARTS UNDER 2.00 LONG MAY BE MARKED ON BOTH SIDES
- 2 MATERIAL: HOUSING - GLASS FILLED HIGH TEMP THERMO PLASTIC, UL94 V-0
 SIGNAL CONTACT - HIGH CONDUCTIVITY COPPER ALLOY
 POWER CONTACT - HIGH CONDUCTIVITY COPPER ALLOY
- 3 CONTACT PLATING: SIGNAL CONTACTS - .000050 MIN Ni UNDER ALL
 .000050 MIN Au ON CONTACT AREA
 .000005 MIN Au AT PCB INTERFACE
 POWER CONTACTS - .000050 MIN Ni UNDER ALL
 .000050 MIN Au ON CONTACT AREA
 .000005 MIN Au AT PCB INTERFACE
- 4 MECHANICAL CONNECTOR KEEP OUT ZONE
- 5 DATUM AND BASIC DIMENSIONS ESTABLISHED BY CUSTOMER
- 6 PCB - ALL HOLE DIAMETERS ARE FINISHED HOLE SIZES
- 7 PCB - 0.0453 ± .0010 DRILLED HOLES PLATED WITH .0003 MIN Sn OVER .001 TO .003 Cu PLATING TO ACHIEVE A .040 ± .003 HOLE
- 8. FLASH TO BE .005 INCHES MAX. FLASH AND FEATURE DIMENSIONS ARE MEASURED SEPARATELY.

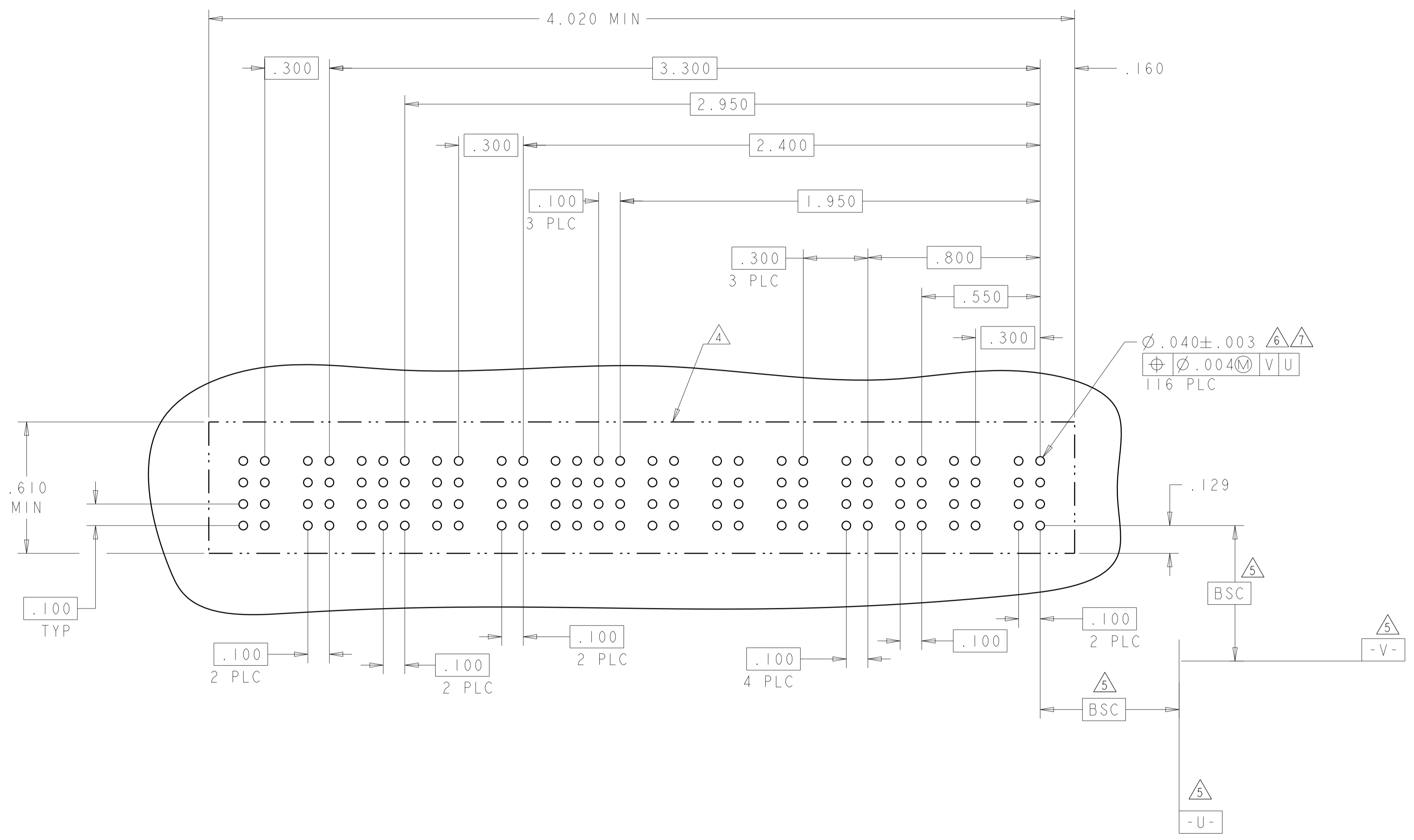


2ACP+8S+4ACP+16S+2ACP+12S+2ACP	2309390-2
DESCRIPTION	PART NUMBER

THIS DRAWING IS A CONTROLLED DOCUMENT.		DWN C.C. THOMAS 1-10-17	TE Connectivity
DIMENSIONS: INCHES		CHK D. HOANG 1-10-17	
TOLERANCES UNLESS OTHERWISE SPECIFIED:		APVD D. HOANG 1-10-17	NAME VER RECEP ASSEMBLY, W/ LP CONTACTS WITHOUT GUIDES, PRESS FIT MULTI-BEAM XLE
0 PLC ±. 1 PLC ±.01 2 PLC ±.01 3 PLC ±.005 4 PLC ±.0020 ANGLES ±.020		PRODUCT SPEC 108-2292 APPLICATION SPEC 114-13251	
MATERIAL	FINISH	WEIGHT	RESTRICTED TO
-	-	-	A1
CUSTOMER DRAWING		SCALE 7:2	SHEET 1 OF 2 REV B

REVISIONS				
P.	LTN.	DESCRIPTION	DATE	APVD.
-	-	SEE SHEET 1	-	-

PART NUMBER	ROWS	POWER		SIGNAL			POWER		SIGNAL				POWER		SIGNAL		POWER			
		P10	P9	9	8	7	P8	P7	6	5	4	3	P6	P5	P4	P3	2	1	P2	P1
2309390-2	D	GS	GS	AP	AP	AP	GS	GS	AP	AP	AP	AP	GS	GS	GS	GS	AP	AP	GS	GS
	C	GS	GS	AP	AP	AP	GS	GS	AP	AP	AP	AP	GS	GS	GS	GS	AP	AP	GS	GS
	B	GS	GS	AP	AP	AP	GS	GS	AP	AP	AP	AP	GS	GS	GS	GS	AP	AP	GS	GS
	A	GS	GS	AP	AP	AP	GS	GS	AP	AP	AP	AP	GS	GS	GS	GS	AP	AP	GS	GS
2ACP+8S+4ACP+16S+2ACP+12S+2ACP																				



GS	STD POWER PRESS FIT CONTACT .135 TAIL LENGTH
AP	SIGNAL PRESS FIT CONTACT .135 TAIL LENGTH
CODE	TAIL LENGTH
CONTACT TABLE	

THIS DRAWING IS A CONTROLLED DOCUMENT.		DWN C.C. THOMAS 1-10-17	 TE Connectivity
DIMENSIONS: INCHES		CHK D. HOANG 1-10-17	
TOLERANCES UNLESS OTHERWISE SPECIFIED:		APVD D. HOANG 1-10-17	NAME VER RECEP ASSEMBLY, W/ LP CONTACTS WITHOUT GUIDES, PRESS FIT MULTI-BEAM XLE
0 PLC ±. 1 PLC ±.01 2 PLC ±.01 3 PLC ±.005 4 PLC ±.002 ANGLES ±.020		PRODUCT SPEC 108-2292 APPLICATION SPEC 114-13251	
MATERIAL	FINISH	WEIGHT	RESTRICTED TO
-	-	-	A1
CUSTOMER DRAWING		SCALE 1:1	SHEET 2 OF 2 REV B