

NOTES

- 1 材料及び仕上げ(めっき仕様) : TABLE 1 参照
MATERIAL AND FINISHES : SEE TABLE 1
- 2 製品仕様書 : 5011890000-PS PS 002
PRODUCT SPECIFICATION:
- 3 梱包形態 : SEE SHEET 3
PACKAGING INFORMATION:
- 4 嵌合相手 : 501189 シリーズ
MATES WITH:501189 SERIES
- 5 アプリケーション仕様書(コネクタ取扱い説明書) : 5011890000-AS PS 001
APPLICATION SPECIFICATION(CONNECTOR MANUAL):
- 6 ソルダピン及びネイルの平坦度:0.1 mm MAX
SOLDER PIN AND NAIL COPLANARITY:
- 7 極数/2=偶数に適応
APPLICABLE FOR CIRCUIT SIZE/2 = EVEN
- 8 製品番号構成 : 発注番号はTABLE 2 参照
PRODUCT NUMBER COMPOSITION
ORDER No. : SEE TABLE 2

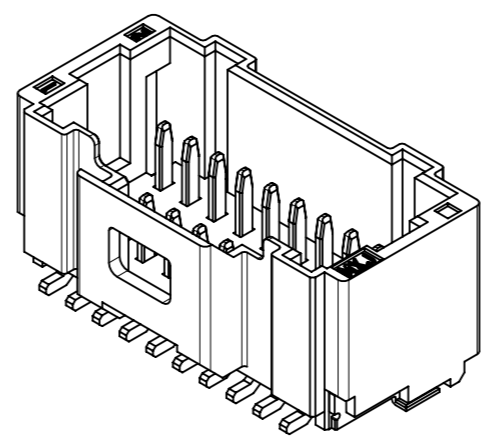
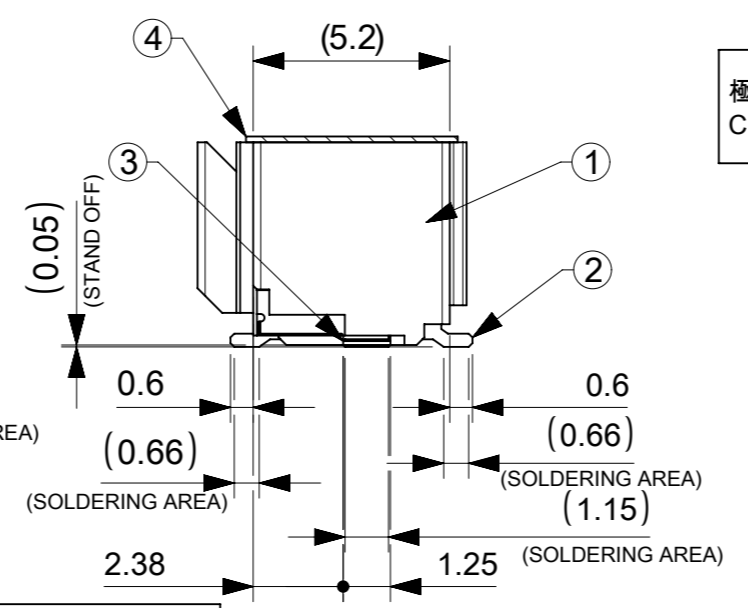
208391

** ** *

極数 CIRCUIT SIZE	ハウジングカラー HOUSING COLOR	製品識別番号(めっき厚) IDENTIFICATION NUMBER (PLATING THICKNESS)
	0:NATURAL(BEIGE)	7: 0.1 MICRO-METER MIN
	1:BLACK	5: 0.38 MICRO-METER MIN
		3: 0.76 MICRO-METER MIN

1 TABLE 1

番号 NO.	部品 PART	材質 MATERIAL	
1	ウエハー WAFER	ポリアミド(PA), ガラス充填, UL94V-0, LOW HALOGEN, 色 : SEE TABLE 2 POLYAMIDE(PA), GLASS FILLED, UL94V-0, LOW HALOGEN, COLOR : SEE TABLE 2	
2	ソルダーピン SOLDER PIN	リン青銅 PHOSPHOR BRONZE	
		接点部 CONTACT AREA	金めっき : めっき厚はNOTES 8参照 GOLD PLATING : SEE NOTES 8 ABOUT THICKNESS
		テール部 TAIL AREA	金めっき GOLD PLATING
3	ネイル NAIL	リン青銅 PHOSPHOR BRONZE	
		テール部 TAIL AREA	無光沢錫めっき : 1.0 MICRO-METER MIN MATTE TIN PLATING
4	カバーテープ COVER TAPE	下地めっき UNDER PLATING	ニッケルめっき : 1.0 MICRO-METER MIN NICKEL PLATING
		ポリイミドテープ POLYIMIDE TAPE	

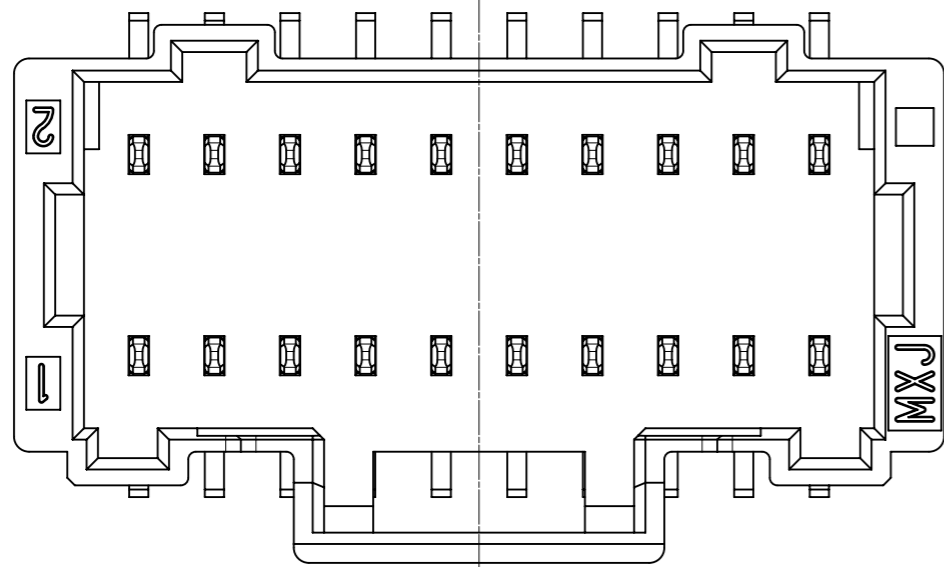


8 TABLE 2

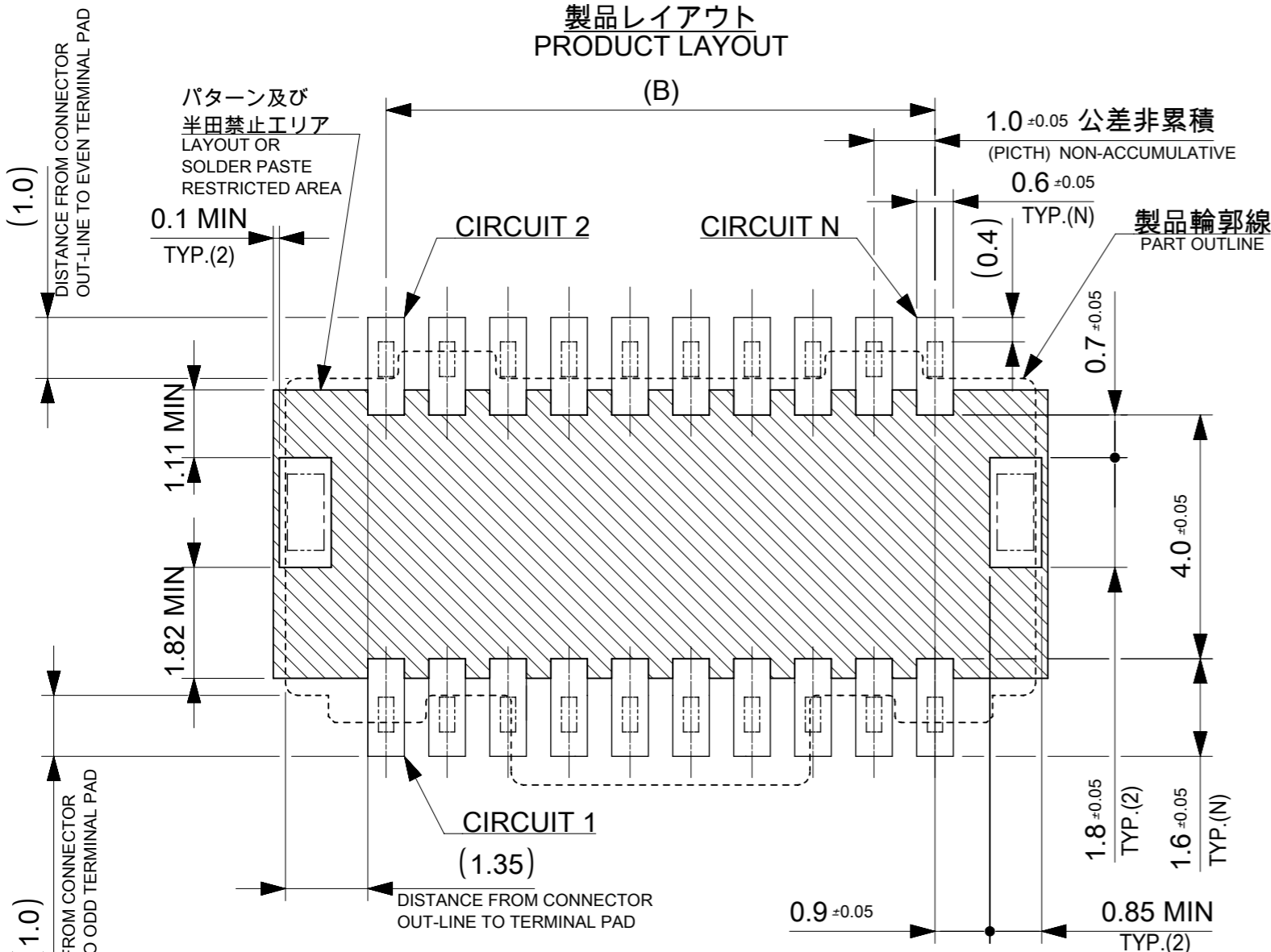
			HOUSING COLOR		
			BLACK	NATURAL(BEIGE)	
26.8	24.0	27.3	208391 501*	208391 500*	50
21.8	19.0	22.3	208391 401*	208391 400*	40
16.8	14.0	17.3	208391 301*	208391 300*	30
11.8	9.0	12.3	208391 201*	208391 200*	20
C	B	A	発注番号 ORDER No.		極数 CIRCUIT SIZE
極数別寸法 DIMENSION			梱包形態 : インボスリール PACKAGE:EMBOSSED REEL		

THIS DRAWING CONTAINS INFORMATION THAT IS PROPRIETARY TO MOLEX ELECTRONIC TECHNOLOGIES, LLC AND SHOULD NOT BE USED WITHOUT WRITTEN PERMISSION

DIMENSION UNITS	SCALE	CURRENT REV DESC:	molex		
mm	NTS				
GENERAL TOLERANCES (UNLESS SPECIFIED)			PICO-CLASP 1.0 W/B DUAL ROW VT SMT GOLD PLATING LOW HALOGEN		
ANGULAR TOL	± 3.0°	EC NO: 639499	PRODUCT CUSTOMER DRAWING		
4 PLACES	± 0.2	DRWN: AISHIKAWA	2019/09/18		
3 PLACES	± 0.2	CHK'D: AIDA	2020/06/19		
2 PLACES	± 0.2	APPR: SAKIYAMA	2020/06/19		
1 PLACE	± 0.2	INITIAL REVISION:	DOCUMENT NUMBER		
0 PLACES	± 0.2	DRWN: AISHIKAWA	2083910000-SD		
		APPR: SAKIYAMA	PSD 000 A		
DRAFT WHERE APPLICABLE MUST REMAIN WITHIN DIMENSIONS		THIRD ANGLE PROJECTION	DRAWING	SERIES	SHEET NUMBER
			A3-SIZE	208391	1 OF 4




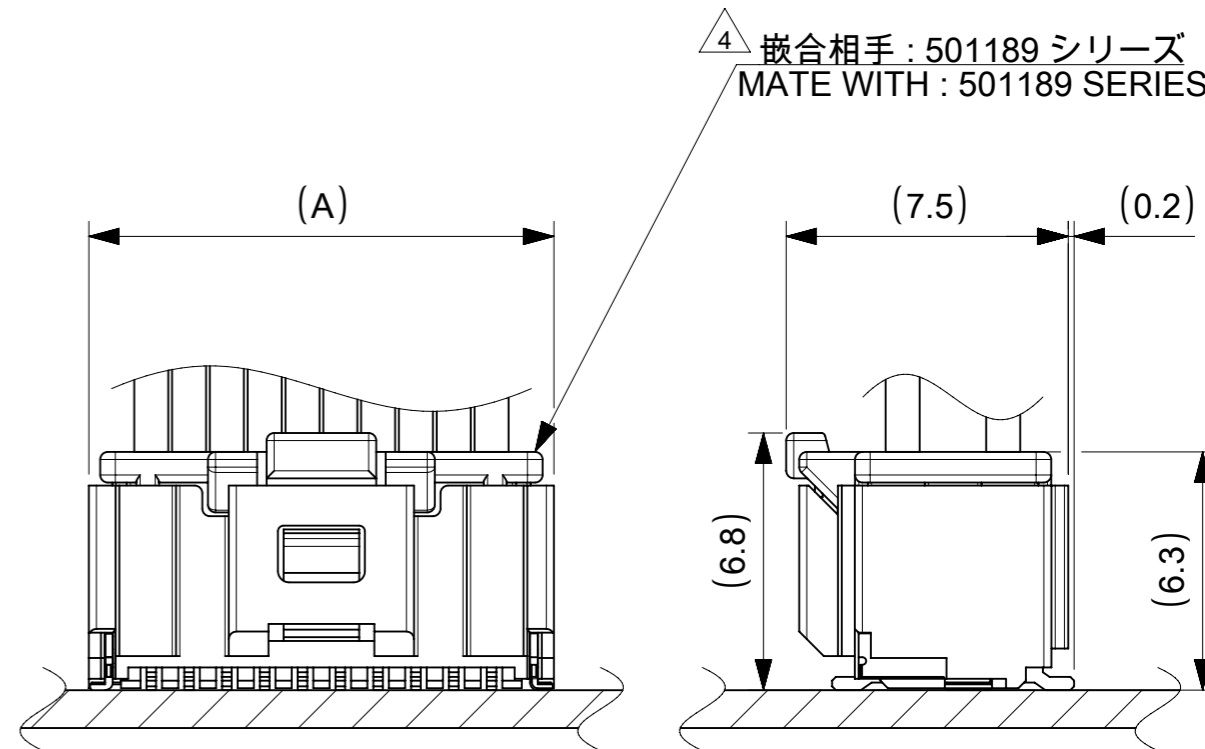
製品レイアウト
PRODUCT LAYOUT



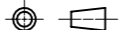
推奨基板レイアウト(全極数適応) : 実装面側
(参考 : 基板厚 1.0mm, メタルマスク厚さ 0.12mm, マスク開口率100%)

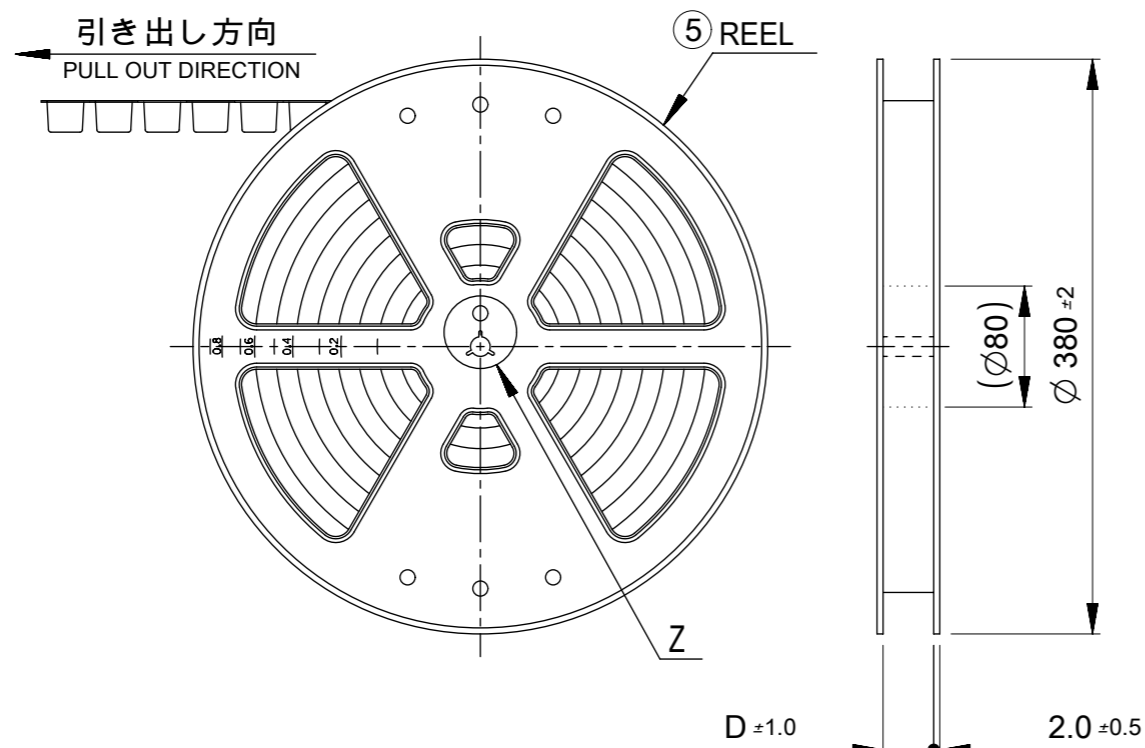
POLARIZED RECOMMENDED PCB LAYOUT(APPLY TO ALL CIRCUIT) : COMPONENT SIDE
(REFERENCE: PCB THICKNESS 1.0mm, STENCIL THICKNESS 0.12mm, APERTURE RATIO 100%)

 :パターン禁止エリア
RESTRICTED AREA
NO PCB COMPONENTS ALLOWED



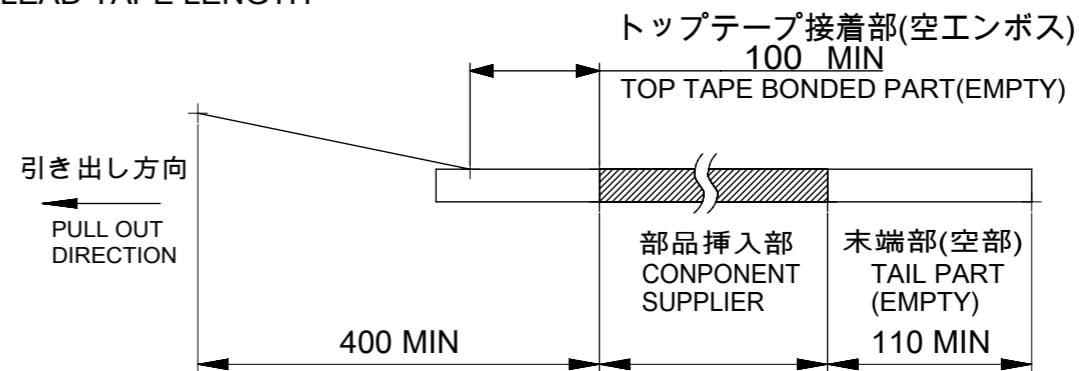
嵌合図
MATED CONNECTORS

THIS DRAWING CONTAINS INFORMATION THAT IS PROPRIETARY TO MOLEX ELECTRONIC TECHNOLOGIES, LLC AND SHOULD NOT BE USED WITHOUT WRITTEN PERMISSION		CURRENT REV DESC:		molex	
DIMENSION UNITS	SCALE				
mm	NTS			PICO-CLASP 1.0 W/B DUAL ROW VT SMT GOLD PLATING LOW HALOGEN	
GENERAL TOLERANCES (UNLESS SPECIFIED)				PRODUCT CUSTOMER DRAWING	
ANGULAR TOL ± 3.0 °				DOCUMENT NUMBER	
4 PLACES ± 0.2	EC NO: 639499	2019/09/18		2083910000-SD	
3 PLACES ± 0.2	DRWN: AISHIKAWA	2020/06/19		PSD 000 A	
2 PLACES ± 0.2	CHK'D: AIDA	2020/06/19		DOC TYPE DOC PART REVISION	
1 PLACE ± 0.2	APPR: SAKIYAMA	2020/06/19			
0 PLACES ± 0.2	INITIAL REVISION:				
DRAFT WHERE APPLICABLE MUST REMAIN WITHIN DIMENSIONS		THIRD ANGLE PROJECTION	DRAWING	SERIES	SHEET NUMBER
			A3-SIZE	208391	2 OF 4

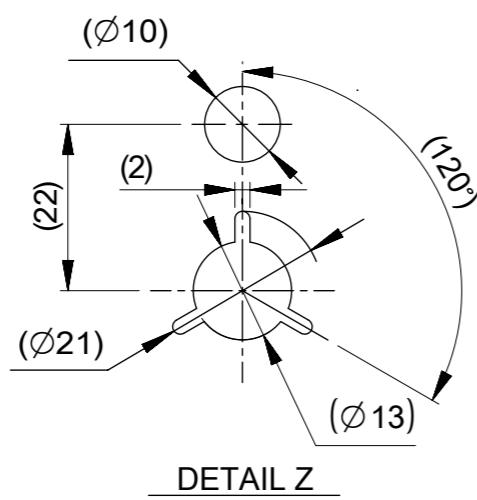


NOTES

- 9. 梱包数量:1100個/リール
NUMBER OF CONNECTORS : 1100 PIECES/REEL
- 10. リードテープ長さ
LEAD TAPE LENGTH



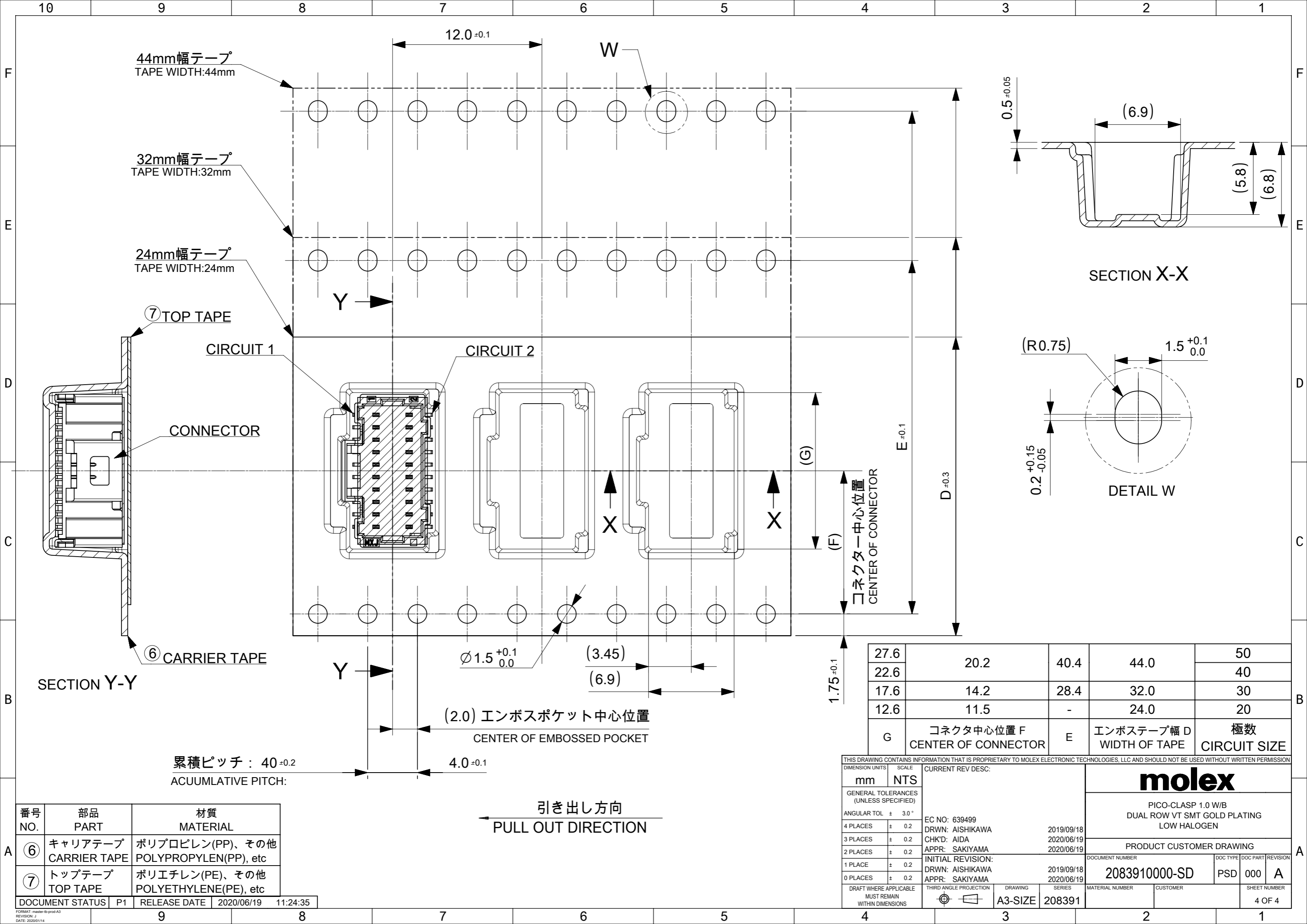
- 11. トップテープの剥離強度はIEC60286-3に準拠。
TOP TAPE PEELING FORCE IS DEFINED BY IEC60286-3.
- 12. 梱包仕様書 : 2083919200 PS 200
PACKAGE SPECIFICATION:



45.5	50
	40
33.5	30
25.5	20
D	極数 CIRCUIT SIZE

THIS DRAWING CONTAINS INFORMATION THAT IS PROPRIETARY TO MOLEX ELECTRONIC TECHNOLOGIES, LLC AND SHOULD NOT BE USED WITHOUT WRITTEN PERMISSION		CURRENT REV DESC:		molex	
DIMENSION UNITS	SCALE	EC NO: 639499			
mm	NTS	DRWN: AISHIKAWA 2019/09/18		PICO-CLASP 1.0 W/B DUAL ROW VT SMT GOLD PLATING LOW HALOGEN	
GENERAL TOLERANCES (UNLESS SPECIFIED)		CHK'D: AIDA 2020/06/19			
ANGULAR TOL	± 3.0 °	APPR: SAKIYAMA 2020/06/19		PRODUCT CUSTOMER DRAWING	
4 PLACES	± 0.2	INITIAL REVISION:		DOCUMENT NUMBER	
3 PLACES	± 0.2	DRWN: AISHIKAWA 2019/09/18		2083910000-SD	
2 PLACES	± 0.2	APPR: SAKIYAMA 2020/06/19		DOC TYPE	DOC PART
1 PLACE	± 0.2	DRAFT WHERE APPLICABLE MUST REMAIN WITHIN DIMENSIONS		PSD	000
0 PLACES	± 0.2	THIRD ANGLE PROJECTION	DRAWING	SERIES	REVISION
			A3-SIZE	208391	A
		MATERIAL NUMBER	CUSTOMER	SHEET NUMBER	
				3 OF 4	

番号 NO.	部品 PART	材質 MATERIAL
⑤	リール REEL	ポリスチレン(PS) <リサイクル材を含む> POLYSTYRENE(PS) <RECYCLE MATERIAL CONTAINED>
DOCUMENT STATUS	P1	RELEASE DATE 2020/06/19 11:24:35



番号 NO.	部品 PART	材質 MATERIAL
⑥	キャリアテープ CARRIER TAPE	ポリプロピレン(PP)、その他 POLYPROPYLEN(PP), etc
⑦	トップテープ TOP TAPE	ポリエチレン(PE)、その他 POLYETHYLENE(PE), etc

DOCUMENT STATUS	P1	RELEASE DATE	2020/06/19	11:24:35
-----------------	----	--------------	------------	----------

27.6	20.2	40.4	44.0	50
22.6				40
17.6	14.2	28.4	32.0	30
12.6	11.5	-	24.0	20
G	コネクタ中心位置 F CENTER OF CONNECTOR	E	エンボステープ幅 D WIDTH OF TAPE	極数 CIRCUIT SIZE

THIS DRAWING CONTAINS INFORMATION THAT IS PROPRIETARY TO MOLEX ELECTRONIC TECHNOLOGIES, LLC AND SHOULD NOT BE USED WITHOUT WRITTEN PERMISSION

DIMENSION UNITS: mm SCALE: NTS

GENERAL TOLERANCES (UNLESS SPECIFIED)

ANGULAR TOL ± 3.0°

4 PLACES ± 0.2

3 PLACES ± 0.2

2 PLACES ± 0.2

1 PLACE ± 0.2

0 PLACES ± 0.2

DRAFT WHERE APPLICABLE MUST REMAIN WITHIN DIMENSIONS

THIRD ANGLE PROJECTION

DRAWING: A3-SIZE

SERIES: 208391

CURRENT REV DESC:

EC NO: 639499

DRWN: AISHIKAWA 2019/09/18

CHK'D: AIDA 2020/06/18

APPR: SAKIYAMA 2020/06/19

INITIAL REVISION:

DRWN: AISHIKAWA 2019/09/18

APPR: SAKIYAMA 2020/06/19

DOCUMENT NUMBER: 2083910000-SD

DOC TYPE: PSD

DOC PART: 000

REVISION: A

MATERIAL NUMBER: 208391

CUSTOMER:

SHEET NUMBER: 4 OF 4

molex

PICO-CLASP 1.0 W/B
DUAL ROW VT SMT GOLD PLATING
LOW HALOGEN

PRODUCT CUSTOMER DRAWING