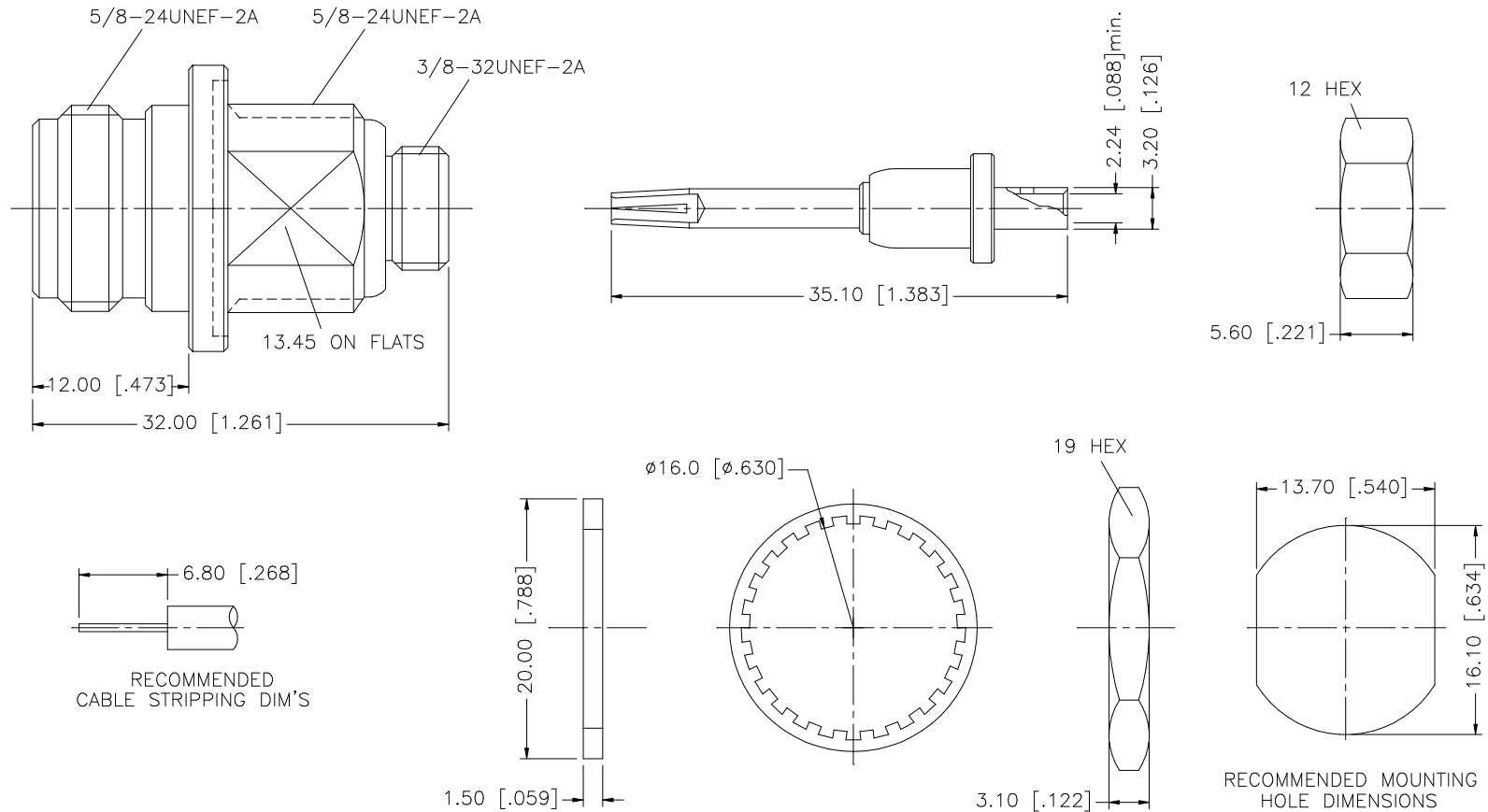


REV.	DATE	DESCRIPTION
A	04/28/99	MODIFY CONTACT VIEWS
B	10/09/06	UPDATE PART CALLOUT / DRAWING FORMAT



QTY	DESCRIPTION	MATERIAL	FINISH
8			
7	HEX NUT	BRASS	NICKEL
6	LOCK WASHER	BRASS	NICKEL
5	GASKET	SILICONE	RED
4	HEX NUT	BRASS	NICKEL
3	CONTACT PIN	PHOS. BRONZE	GOLD
2	INSULATOR	TEFLON	NATURAL
1	BODY	BRASS	NICKEL

UNLESS OTHERWISE SPECIFIED DIMENSIONS ARE IN MILLIMETERS. DIMENSIONS IN [] ARE IN INCHES AND FOR CUSTOMER REFERENCE ONLY.

UNLESS OTHERWISE SPECIFIED TOLERANCES FOR MILLIMETERS ARE:
0.5 - 8mm ± 0.20mm
8 - 30mm ± 0.40mm
30 - 120mm ± 0.50mm

UNLESS OTHERWISE SPECIFIED TOLERANCES FOR INCHES ARE:
.020 - .315 = ± 0.007"
.315 - 1.180 = ± 0.015"
1.180 - 4.724 = ± 0.020"

DO NOT SCALE DRAWING

APPROVALS	DATE
DRAWN G.R.S.	10/09/06
CHECKED	
ISSUED	
SHEET 1 OF 1	
CAD FILE C:/172/172242.DWG	

Amphenol Connex

PART DESCRIPTION
**N BULKHEAD DIRECT SOLDER JACK
FRONT MOUNT (FOR .085", .086" CABLE)**

PART NO. **172242**

DWG. NO. 172242.DWG	REV. B	SIZE A	SCALE NA
---------------------	--------	--------	----------