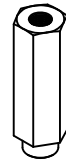
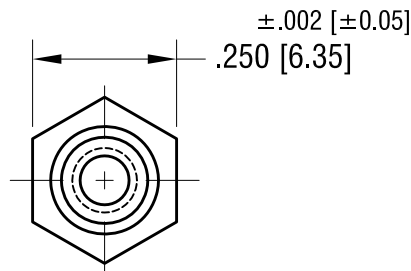
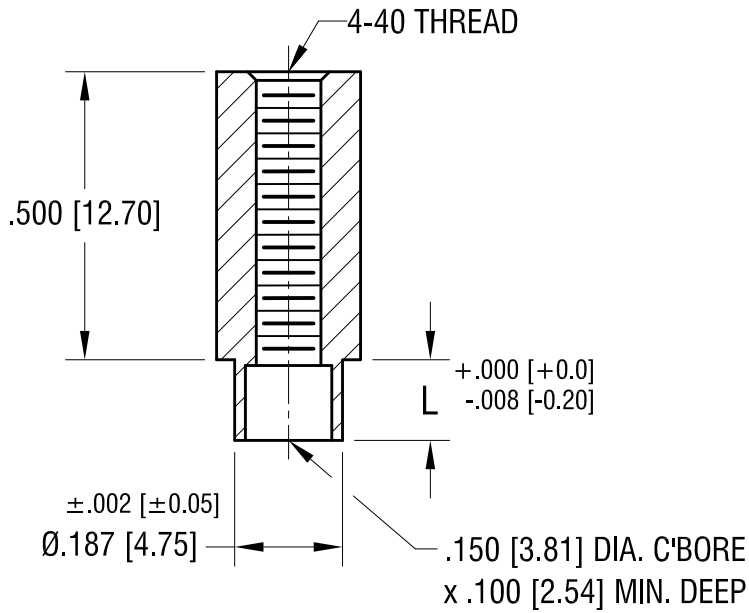


THIS DOCUMENT IS THE PROPERTY OF KEYSTONE ELECTRONICS CORP. AND SHALL NOT BE REPRODUCED, DISTRIBUTED OR USED AS A BASIS FOR MANUFACTURE WITHOUT PRIOR WRITTEN PERMISSION FROM KEYSTONE ELECTRONICS CORP.

ACTUAL SIZE



P/N 1629-2



PART NO.	'L' DIM.
1629-2	.109 [2.77]
1629-3	.140 [3.56]

KEYSTONE ELECTRONICS CORP.			
www.keyelco.com • NEW HYDE PARK NY 11040 • Tel (516)328-7500			
PART NAME SWAGE THREADED STANDOFF			
MATERIAL BRASS			
FINISH DUCTILE NICKEL PLATE		DRN BY BOONE	DATE 5.13.02
		APP'D LN	SCALE 3X
11.22.21	CHANGE AS PER ECN 21-157	A	
DATE	DESCRIPTION	REV.	
TOLERANCES INCH [MM] DECIMAL ± .005 [± 0.13]		CODE C	DWG NO. 1629-
ANGULAR ± 1° UNLESS OTHERWISE SPECIFIED			

11.22.21	CHANGE AS PER ECN 21-157	A
DATE	DESCRIPTION	REV.