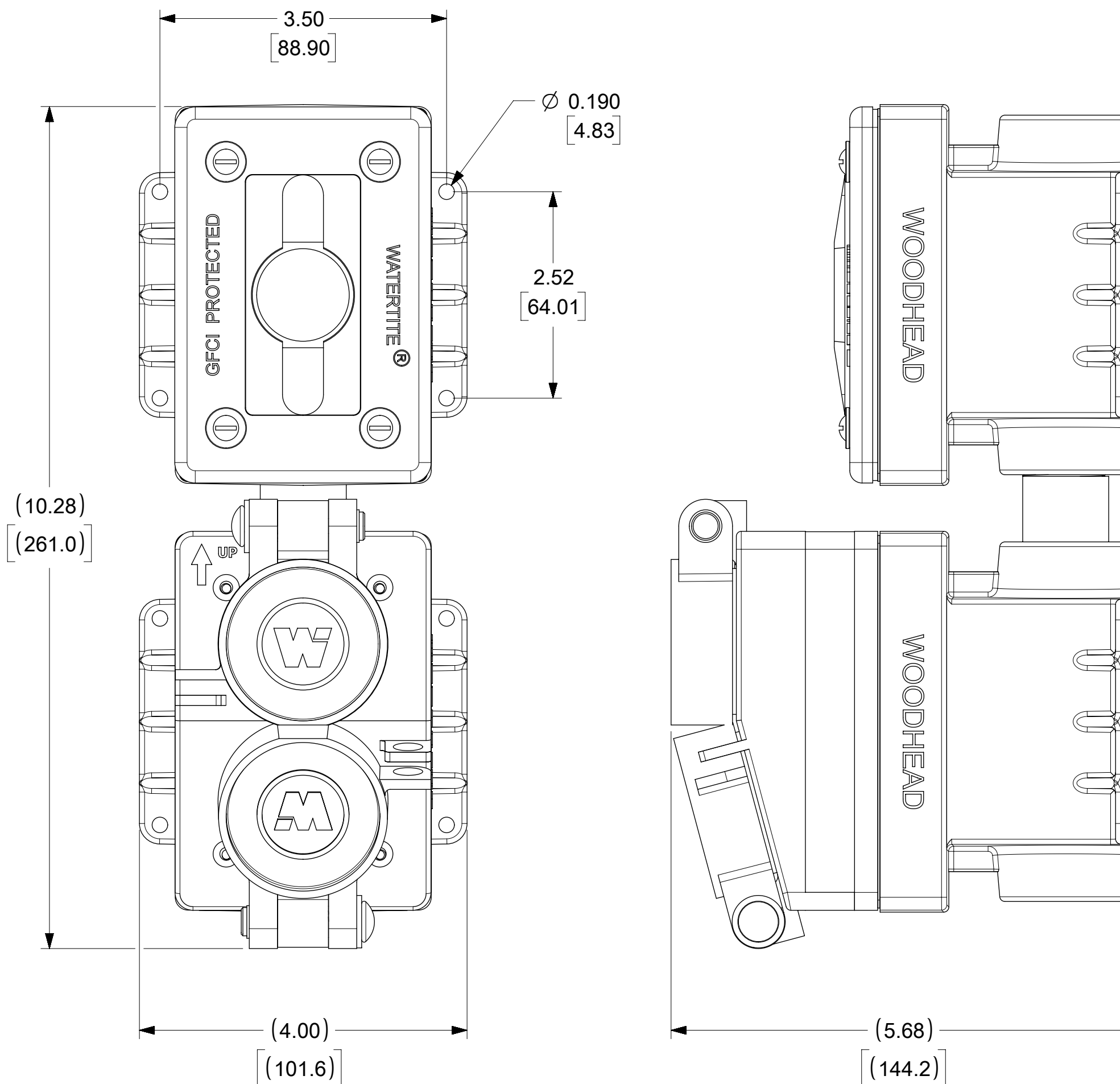
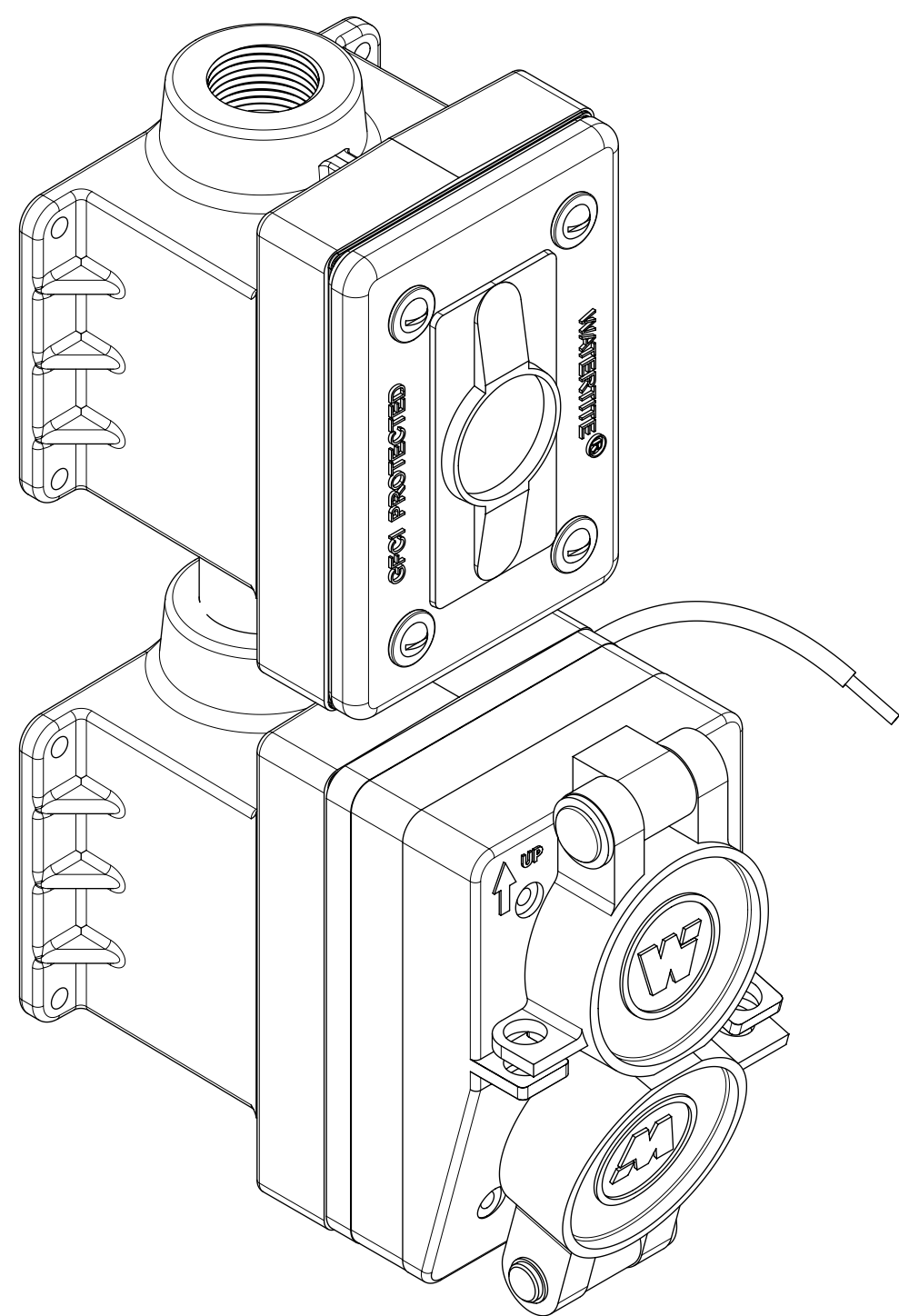


ORDER NO.	WOODHEAD NO.	COLOR
130155-0092	60W47DPLXGF	YELLOW



DESCRPTION	MATERIAL	QTY.
COVER FLIP LID	NYLON, STAINLESS STEEL	1
COVER PLATE	STAINLESS STEEL	1
GASKET	NEOPRENE	1
FEMALE INSERT ASSY	NYLON, BRASS, NICKEL & ZINC PLATED	2
RETAINING SCREWS	STAINLESS STEEL	6
MOUNTING PLATE FD BOX	STAINLESS STEEL	4
FD BOX	COMPOSITE, UNSATURATED POLYCARBONATE	2
GFCI DEVICE 20A	POLYCARBONATE, THERMOPLASTIC, PLATED STEEL, BRASS.	1
PHILLIPS SCREW	STAINLESS STEEL	8
GFCI COVER PLATE	SILICONE	1
SCREW PAN HEAD	STAINLESS STEEL	4
THREADED NIPPLE	CHLORINATED POLYVINYL CHLORIDE (CPVC)	1
JUMPER WIRE ASSY	COPPER, BRASS (TINNED FINISH)	1
SCREW (GROUND WIRE)	STAINLESS STEEL	1
BLACK WIRE - 3.0 IN LONG	COPPER WIRE	1
GREEN WIRE - 2-3/4 IN LONG	COPPER WIRE	1
WHITE WIRE - 4 IN LONG	COPPER WIRE	1
#12-1 BLACK PVC WIRE	COPPER WIRE	1
#12-1 GREEN PVC WIRE	COPPER WIRE	1
#12-1 WHITE PVC WIRE	COPPER WIRE	1

SYMBOLS	THIS DRAWING CONTAINS INFORMATION THAT IS PROPRIETARY TO MOLEX ELECTRONIC TECHNOLOGIES, LLC AND SHOULD NOT BE USED WITHOUT WRITTEN PERMISSION			
	DIMENSION UNITS		SCALE	
▽ = 0	INCH[MM]	NTS		CURRENT REV DESC: MIGRATE TO NX/ECTR
▽ = 0	GENERAL TOLERANCES (UNLESS SPECIFIED)			
▽ = 0		MM	INCH	EC NO: 612113 DRWN: SRPATIL 2019/01/07 CHK'D: DNGUYEN62 2019/02/21 APPR: HKNEELAND 2019/03/02
▽ = 0	4 PLACES	±	±	
▽ = 0	3 PLACES	±	±	INITIAL REVISION: DRWN: SRPATIL 2019/01/07 APPR: HKNEELAND 2019/03/02
▽ = 0	2 PLACES	±	±	
▽ = 0	1 PLACE	±	±	THIRD ANGLE PROJECTION
▽ = 0	0 PLACES	±	±	
▽ = 0	ANGULAR TOL	±	°	DRAWING SERIES
▽ = 0	DRAFT WHERE APPLICABLE MUST REMAIN WITHIN DIMENSIONS			C-SIZE 130155

molex			
WATERTITE FD GFCI DUPLEX ASSY 2P3W 5-15			
PRODUCT CUSTOMER DRAWING			
DOCUMENT NUMBER	DOC TYPE	DOC PART	REVISION
1301550092	PSD	000	A
MATERIAL NUMBER	CUSTOMER	SHEET NUMBER	
SEE TABLE	GENERAL MARKET	1 OF 1	