

Electrical diagram printed in white

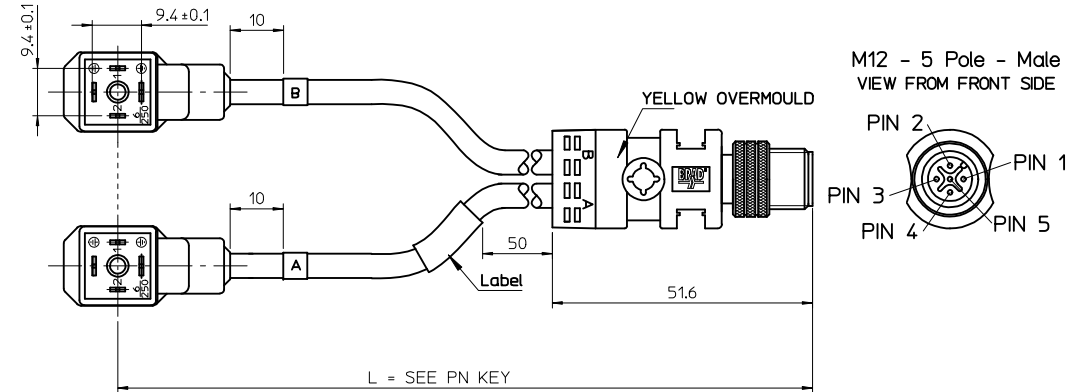
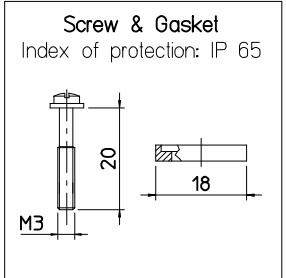


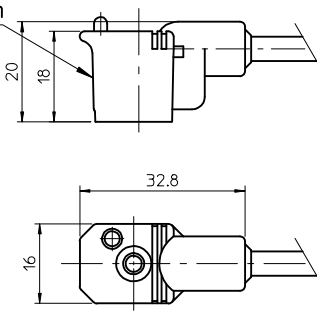
Table of length tolerances

Over	Up to and including	Tolerance (+)
0	305	+19
305	915	+45
915	1830	+56
1830	3660	+89
3660	7320	+165
7320	14640	+317
14640	30500	+610
30500	>	+2% of length

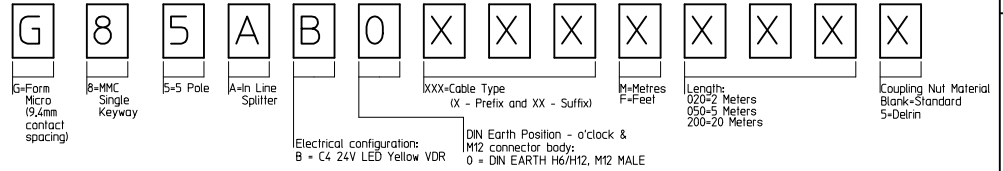


PN's List

Engineering number	SAP Part Number	Cable Length [mm]	Cable type
G85AB0I12M050	1210360373	5000	CEI PVC Grey 0.5mm ²
G85AB0E12M010	1210360537	1000	PVC Black 0.5mm ²
G85AB0P12M010	1210360926	1000	PUR Black 0.5mm ²



PART No MATRIX - PN KEY



Notes:
1. Dimensions without tolerance are referential.

ORIGINAL RELEASE EC NO: IPG2014-1345 DRWN: JMARSZALEK 2014/01/29 CHKD: MSZWAJKOWSKI 2014/01/29 APPR: MIWASIECZKO 2014/01/30	QUALITY SYMBOLS	GENERAL TOLERANCES (UNLESS SPECIFIED)	DIMENSION STYLE	SCALE	DESIGN UNITS	THIRD ANGLE PROJECTION																																
		<table border="1"> <thead> <tr> <th></th> <th>mm</th> <th>INCH</th> </tr> </thead> <tbody> <tr> <td>4 PLACES</td> <td>± ---</td> <td>± ---</td> </tr> <tr> <td>3 PLACES</td> <td>± ---</td> <td>± ---</td> </tr> <tr> <td>2 PLACES</td> <td>± ---</td> <td>± ---</td> </tr> <tr> <td>1 PLACE</td> <td>± ---</td> <td>± ---</td> </tr> <tr> <td>0 PLACE</td> <td>± ---</td> <td>± ---</td> </tr> </tbody> </table>		mm	INCH	4 PLACES	± ---	± ---	3 PLACES	± ---	± ---	2 PLACES	± ---	± ---	1 PLACE	± ---	± ---	0 PLACE	± ---	± ---	<table border="1"> <thead> <tr> <th colspan="2">MM ONLY</th> </tr> <tr> <th>DRAWN BY</th> <th>DATE</th> </tr> </thead> <tbody> <tr> <td>JMARSZALEK</td> <td>2014/01/29</td> </tr> <tr> <th colspan="2">CHECKED BY</th> </tr> <tr> <td>MSZWAJKOWSKI</td> <td>2014/01/29</td> </tr> <tr> <th colspan="2">APPROVED BY</th> </tr> <tr> <td>MIWASIECZKO</td> <td>2014/01/30</td> </tr> </tbody> </table>	MM ONLY		DRAWN BY	DATE	JMARSZALEK	2014/01/29	CHECKED BY		MSZWAJKOWSKI	2014/01/29	APPROVED BY		MIWASIECZKO	2014/01/30	-	METRIC	
		mm	INCH																																			
	4 PLACES	± ---	± ---																																			
	3 PLACES	± ---	± ---																																			
2 PLACES	± ---	± ---																																				
1 PLACE	± ---	± ---																																				
0 PLACE	± ---	± ---																																				
MM ONLY																																						
DRAWN BY	DATE																																					
JMARSZALEK	2014/01/29																																					
CHECKED BY																																						
MSZWAJKOWSKI	2014/01/29																																					
APPROVED BY																																						
MIWASIECZKO	2014/01/30																																					
DESCRIPTION	ANGULAR ±---°	MATERIAL NO.	TITLE		G85AB0XXXXXXX ILS-2DIN-MICRO-H6/12-C4H M12 5P AC MA 																																	
REV	DRAFT WHERE APPLICABLE MUST REMAIN WITHIN DIMENSIONS	SIZE	SEE PN KEY	DOCUMENT NO.	SHEET NO.																																	