

S53 SERIES MATRIX

S 5 3 2 X X X X X X X X X

SERIES
S53- INTERNAL
THREAD
FORM A

POLES
2- 2 POLE

THREAD
09- PG9
11- PG11
M6-M6x1.5

MATERIAL AND
HOUSING COLOR:
G - PA6 Grey
N - Black Black
T- Transparent
W- Black
UL94- V0

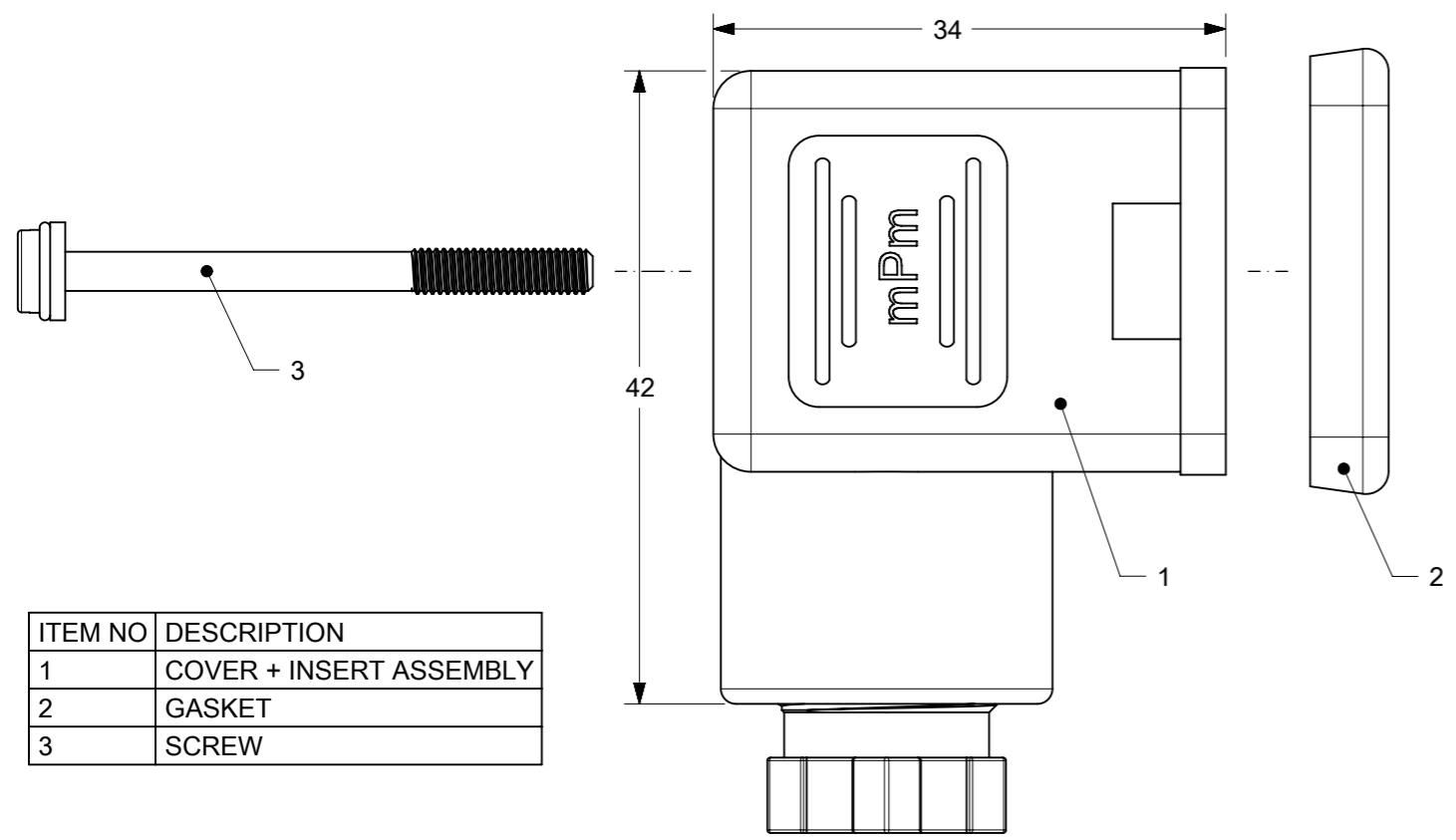
CIRCUIT
SEE DETAILS
IN CATALOGUE

VOLTAGE
SEE DETAILS
IN CATALOGUE

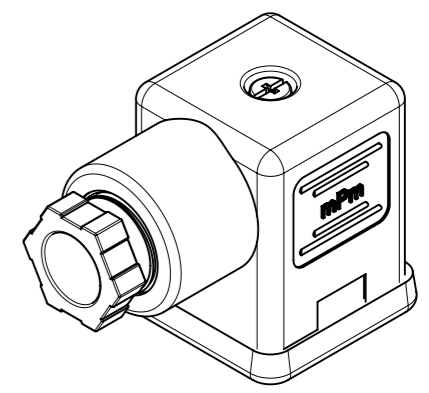
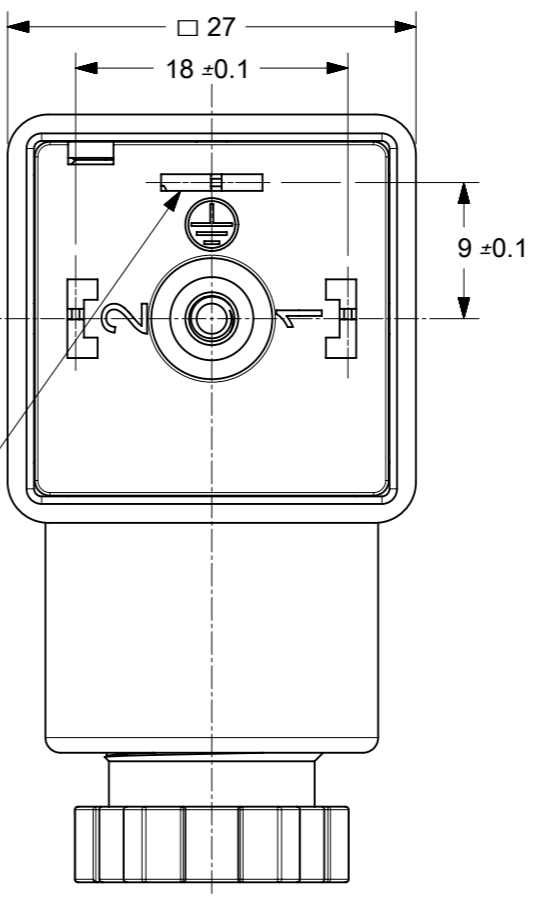
SCREW AND GASKET
1- NBR PROFILE GASKET & SCREW
2- NBR FLAT GASKET & SCREW
T- NBR PROFILE GASKET & IP67 SCREW

NON STANDARD COMPONETS
AF- WITH CENTRE SCREW MOUNTED
14- SINGLE BAGGED
SA- UL LISTED
AN-CIRCUIT R0 WITH 3 DIODES x
ELECTRIX (1002-97)

SEE TABLE 1 FOR GASKET AND SCREW TYPES



ITEM NO	DESCRIPTION
1	COVER + INSERT ASSEMBLY
2	GASKET
3	SCREW



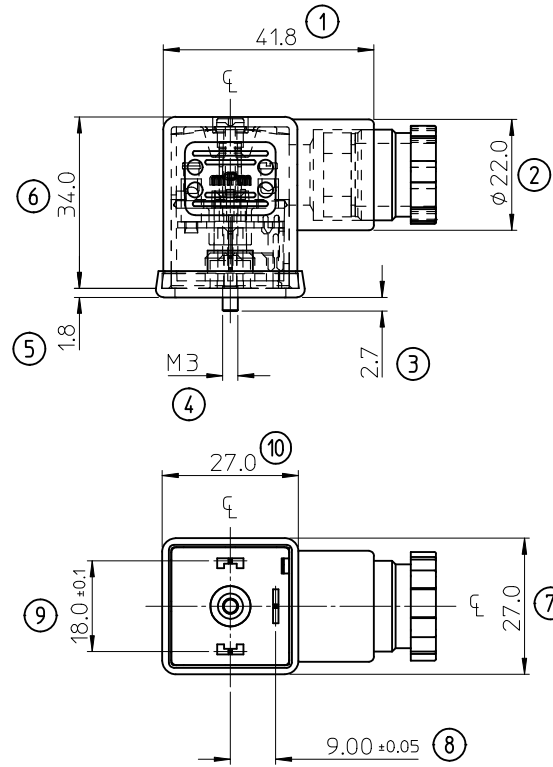
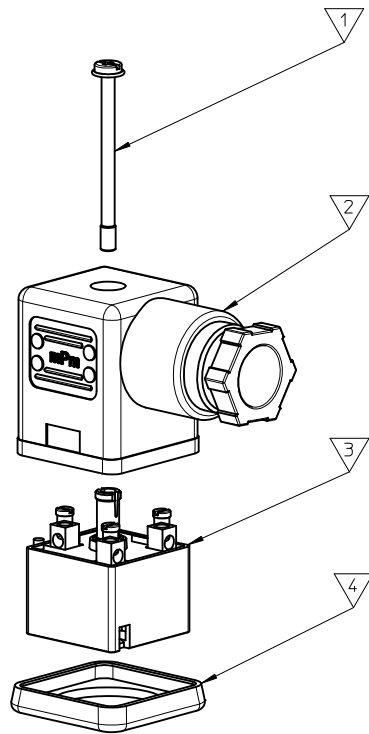
SCALE 1:1

TABLE 1

PROFILED GASKET	FLAT GASKET	SCREW M3x36
		SCREW M3x36 + WASHER

TECHNICAL SPECIFICATION:
 OPERATING CURRENT: 16A
 CONTACT RESISTANCE: <15 mOhms MAX.
 OPERATING TEMPERATURE:
 NBR GASKET: -40° TO +90°C
 SILICONE GASKET: -40° TO 125°C

THIS DRAWING CONTAINS INFORMATION THAT IS PROPRIETARY TO MOLEX ELECTRONIC TECHNOLOGIES, LLC AND SHOULD NOT BE USED WITHOUT WRITTEN PERMISSION		CURRENT REV DESC: OBSOLETE PART NO.		molex	
DIMENSION UNITS	SCALE	EC NO: 632260			
mm	2:1	DRWN: RPRABHUM 2020/02/03		CONNECTOR 532 PG09 BLACK H12	
GENERAL TOLERANCES (UNLESS SPECIFIED)		CHK'D: GGA 2020/02/28		PRODUCT CUSTOMER DRAWING	
ANGULAR TOL	± 1.0 °	APPR: GGA 2020/02/28		DOCUMENT NUMBER	
4 PLACES	±	INITIAL REVISION:		1210640896	
3 PLACES	±	DRWN: MDHARMANTI 2018/11/23		DOC TYPE	
2 PLACES	± 0.05	APPR: RSILLER 2019/02/01		PSD	
1 PLACE	± 0.3	MATERIAL NUMBER		000	
0 PLACES	± 0.5	CUSTOMER		A2	
DRAFT WHERE APPLICABLE MUST REMAIN WITHIN DIMENSIONS		THIRD ANGLE PROJECTION	DRAWING	SERIES	SHEET NUMBER
			A3-SIZE	121064	1 OF 2



S53211TC421AF		
ITEM	DESCRIPTION	PART No
1	SCREW: M3 x 36mm	1211190053
2	COVER: TRANSPARENT / SMOKED PG11	1211310067
3	INSERT: 2P WITH PCB C4 24 VOLTS	1211330085
4	GASKET: BAG OF 100 G11	1211290080

NOTES:

1. PRODUCT SPEC: SEE PS-121201-001
2. PACKAGING SPEC: SEE RPK-121064-S00
3. CABLE SIZES: 8 - 10mm DIAMETER
4. GROUND POSITION SHOWN H6

LAST INSPECTION NUMBER USED: 10

ORIGINAL RELEASE EC NO: WEU2011-0385 DRW:DCARTON 2011/02/04 CHKD: APPR:EFOLAN 2011/03/08	DESCRIPTION REV	QUALITY SYMBOLS	GENERAL TOLERANCES (UNLESS SPECIFIED)	DIMENSION STYLE	SCALE	DESIGN UNITS	THIRD ANGLE PROJECTION
		▼=0 ∇=0	mm INCH 4 PLACES ± --- ± --- 3 PLACES ± --- ± --- 2 PLACES ± 0.10 ± --- 1 PLACE ± 0.20 ± --- ANGULAR ± ---°	MM ONLY DRAWN BY: DCARTON DATE: 2011/02/04 CHECKED BY: DMAHER DATE: 2011/02/04 APPROVED BY: EFOLAN DATE: 2011/03/08	1:1	METRIC	TITLE S532 CONNECTOR PG11 S53211TC421AF
			DRAFT WHERE APPLICABLE MUST REMAIN WITHIN DIMENSIONS	MATERIAL NO. 1210641705	MOLEX INCORPORATED DOCUMENT NO. SD-121064-1705	SHEET NO. 1 OF 1	
			SIZE A3	THIS DRAWING CONTAINS INFORMATION THAT IS PROPRIETARY TO MOLEX INCORPORATED AND SHOULD NOT BE USED WITHOUT WRITTEN PERMISSION			