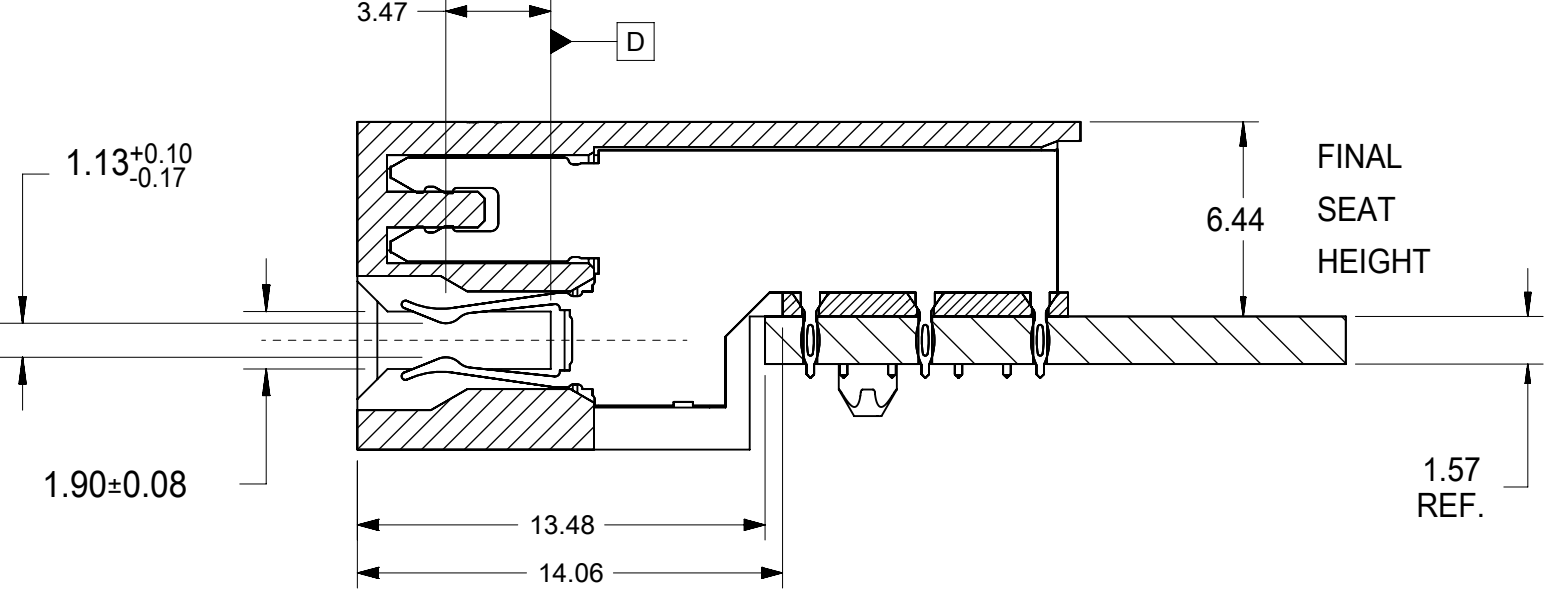
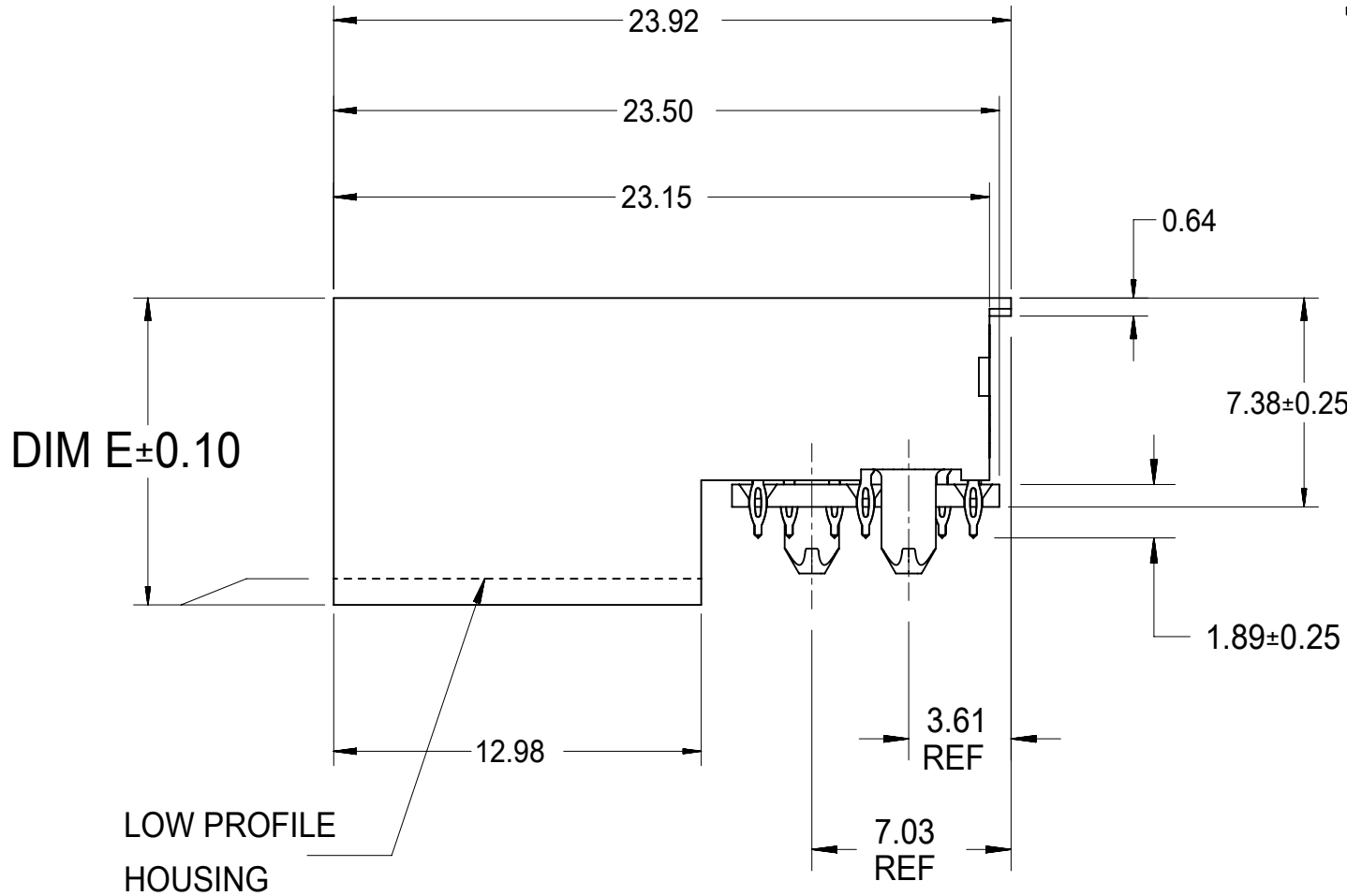
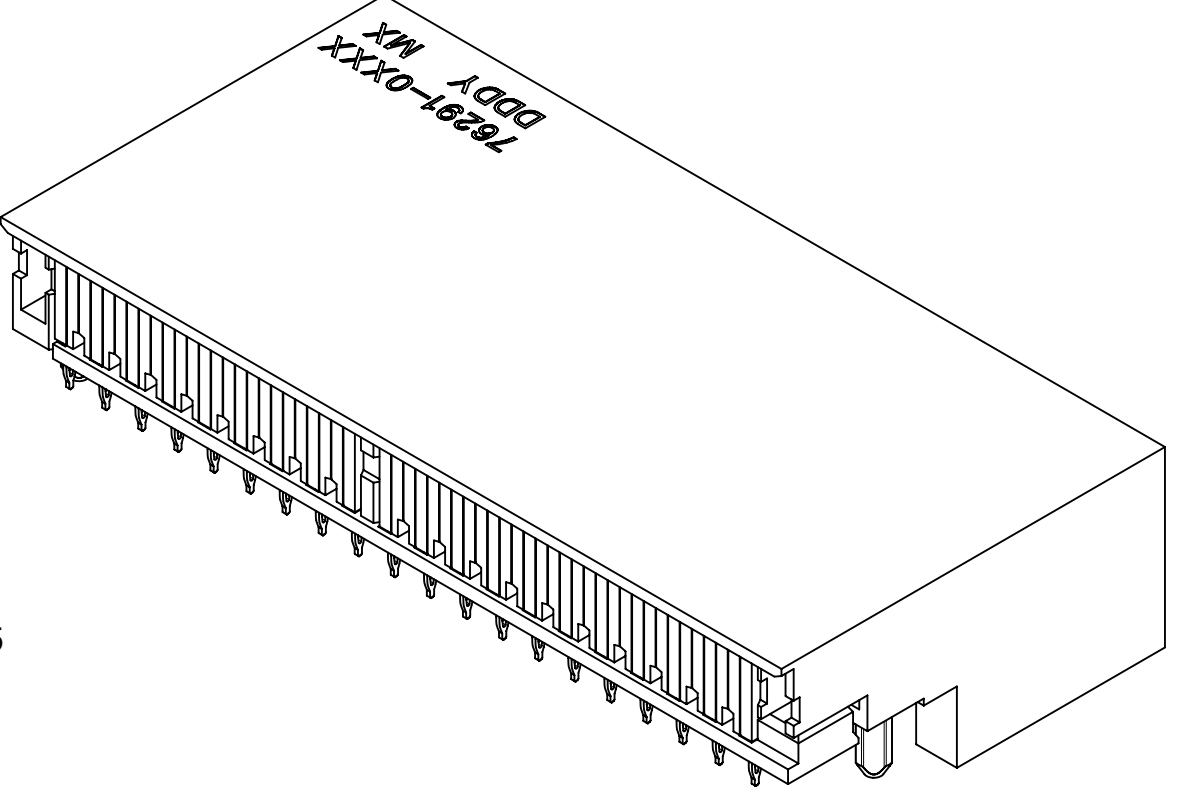
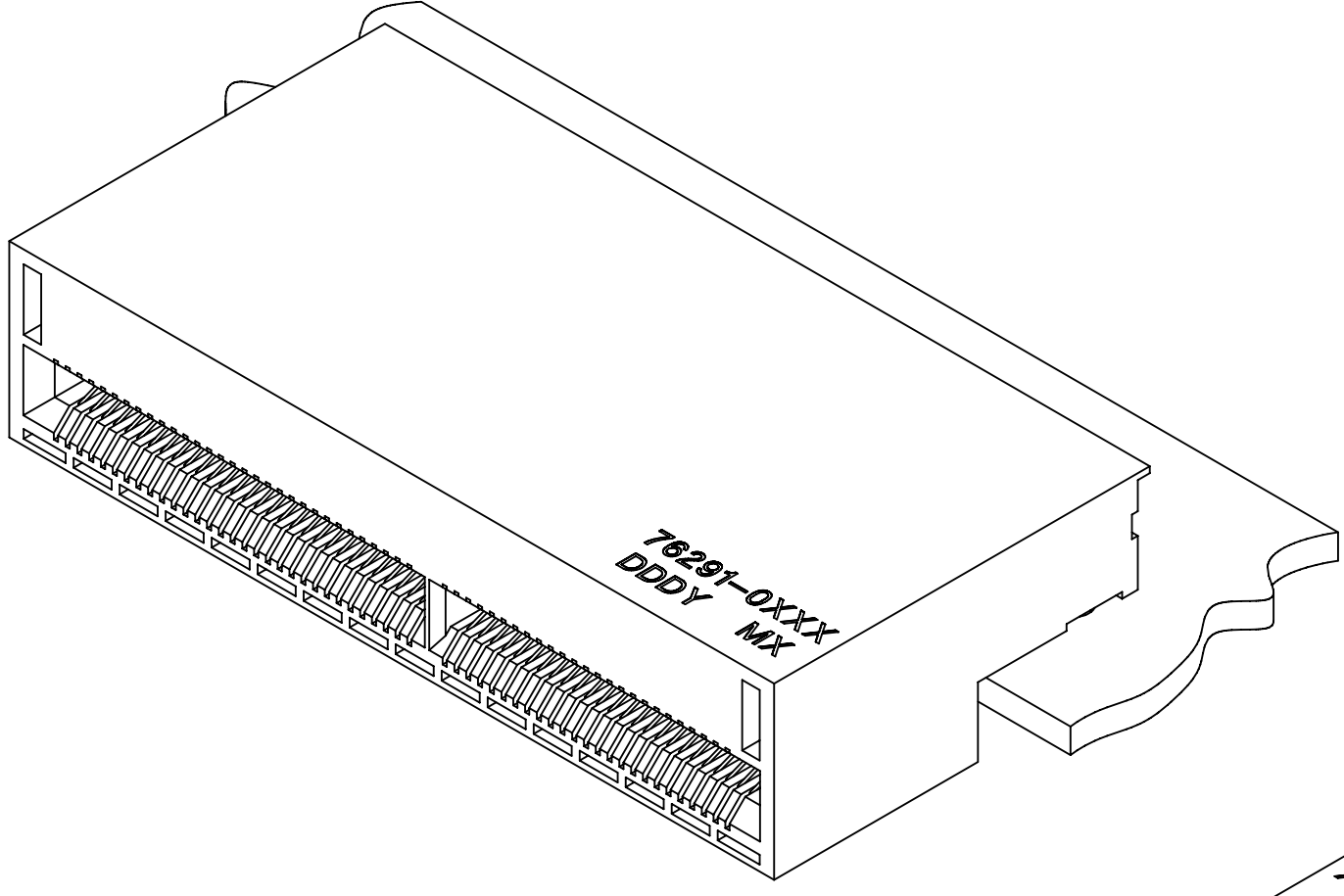
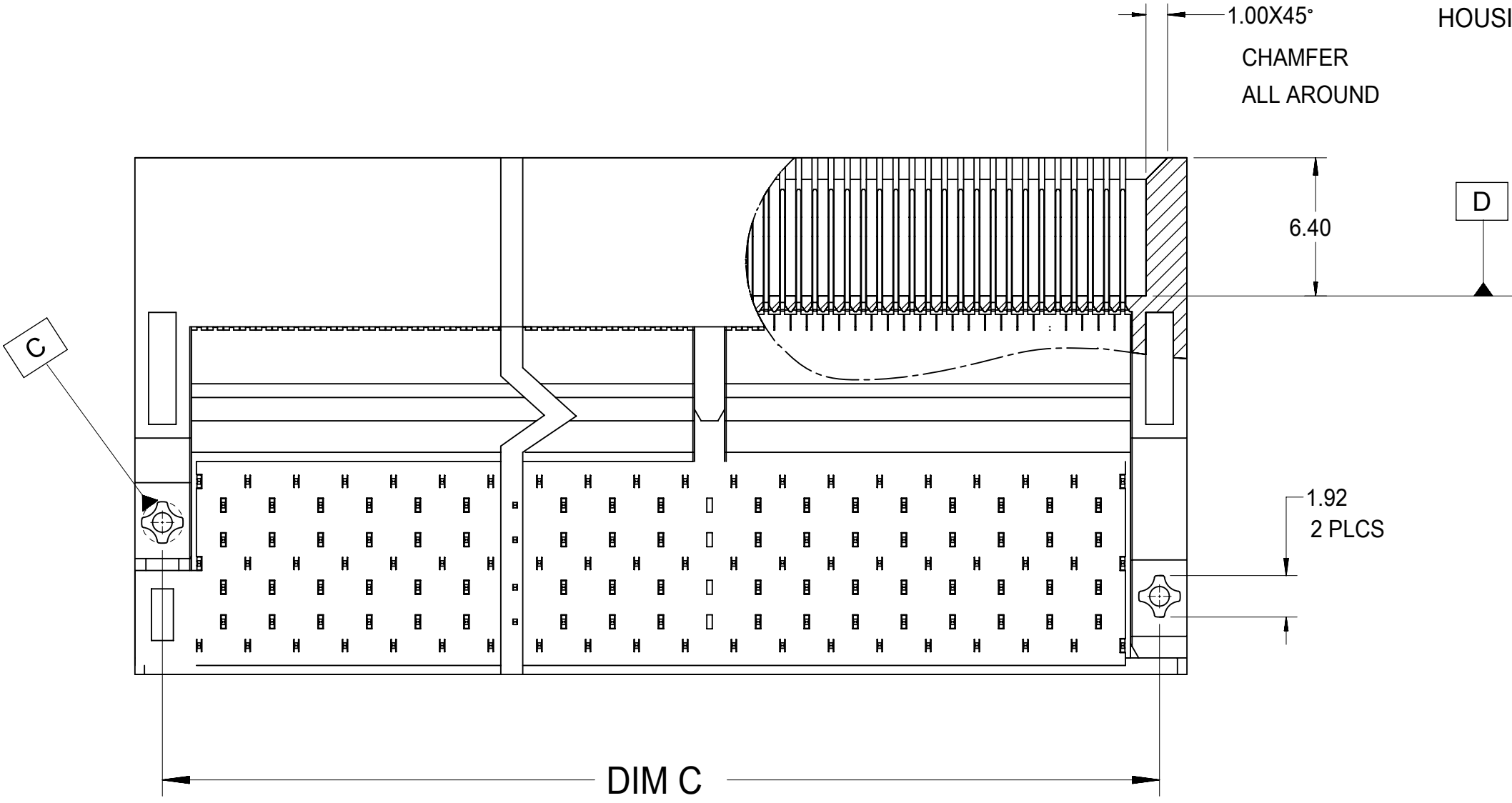
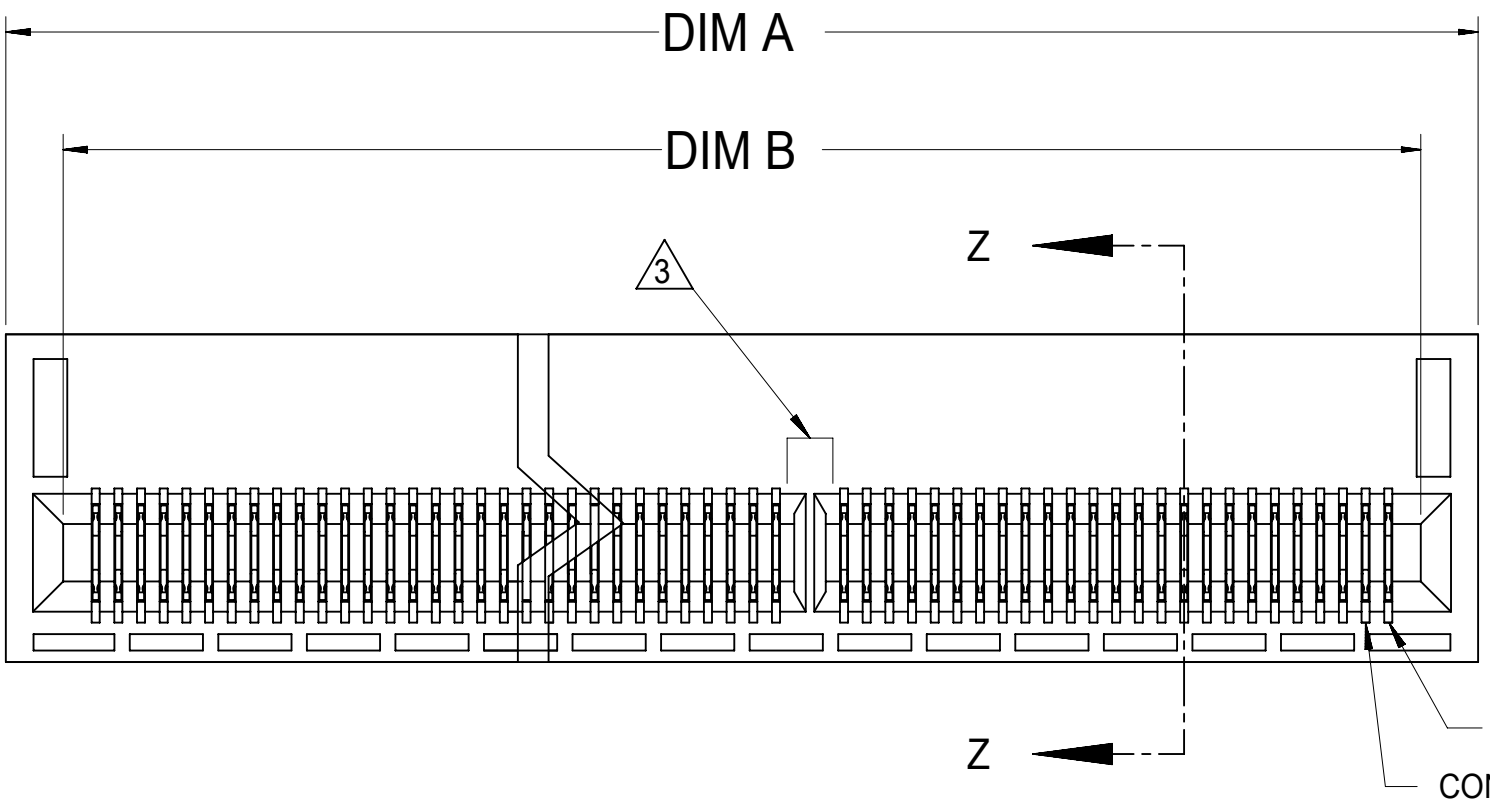
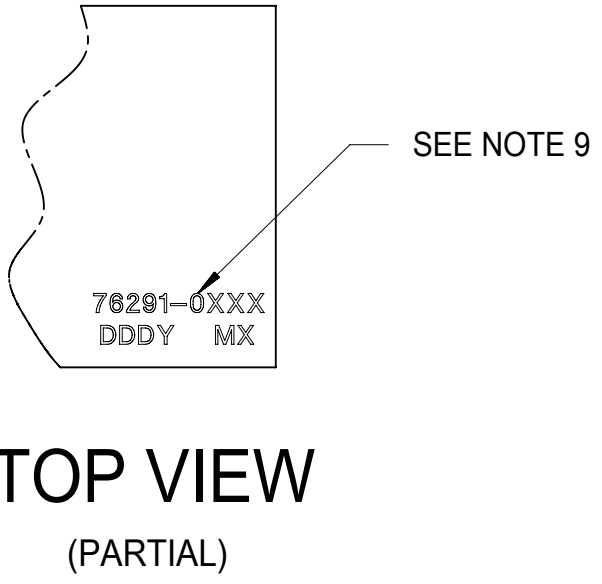


PART NUMBER	TIN	TIN PREVIOUSLY TINLEAD	STATUS	CKTS	DIM A	DIM B	DIM C	DIM D	POWER POS.	DIM E
762910008	762910008		NOT TOOLED	8	8.19	4.40	5.65	4.25	-	10.84
762910014	762911014		NOT TOOLED	14	10.44	6.65	7.90	6.50	-	10.84
762910020	762911020		NOT TOOLED	20	12.69	8.90	10.15	8.75	-	10.84
762910026	762911026		NOT TOOLED	26	14.94	11.15	12.40	11.00	-	10.84
762910032	762911032		NOT TOOLED	32	17.19	13.40	14.65	13.25	-	10.84
762910038	762911038			38	19.44	15.60	16.90	15.50	-	10.84
762910044	762911044		NOT TOOLED	44	21.69	17.90	19.15	17.75	-	10.84
762910050	762911050		NOT TOOLED	50	23.94	20.15	21.40	20.00	-	10.84
762910056	762911056		NOT TOOLED	56	26.19	22.40	23.65	22.25	-	10.84
762910062	762911062		NOT TOOLED	62	28.44	24.65	25.90	24.50	-	10.84
762910068	762911068			68	30.69	26.90	28.15	26.75	-	10.84
762910074	762911074		NOT TOOLED	74	32.94	29.15	30.40	29.00	-	10.84
762910080	762911080		NOT TOOLED	80	35.19	31.40	32.65	31.25	-	10.84
762910086	762911086		NOT TOOLED	86	37.44	33.65	34.90	33.50	-	10.84
762910092	762911092		NOT TOOLED	92	39.69	35.90	37.15	35.75	-	10.84
762910098	762911098		NOT TOOLED	98	41.94	38.15	39.40	38.00	-	10.84
762910104	762911104		NOT TOOLED	104	44.19	40.40	41.65	40.25	-	10.84
762910110	762911110		NOT TOOLED	110	46.44	42.65	43.90	42.50	-	10.84
762910116	762911116		NOT TOOLED	116	48.69	44.90	46.15	44.75	-	10.84
762910122	762911122		NOT TOOLED	122	50.94	47.15	48.40	47.00	-	10.84
762910128	762911128		NOT TOOLED	128	53.19	49.40	50.65	49.25	-	10.84
762910134	762911134		NOT TOOLED	134	55.44	51.65	52.90	51.50	-	10.84
762910140	762911140		OBSOLETE	140	57.69	53.90	55.15	53.75	-	10.84
762910146	762911146		NOT TOOLED	146	59.94	56.15	57.40	56.00	-	10.84
762910152	762911152		NOT TOOLED	152	62.19	58.40	59.65	58.25	-	10.84
762910158	762911158		NOT TOOLED	158	64.44	60.65	61.90	60.50	-	10.84
762910164	762911164		NOT TOOLED	164	66.69	62.90	64.15	62.75	-	10.84
762910170	762911170		OBSOLETE	170	68.94	65.15	66.40	65.00	-	10.84
762910171	762911171		OBSOLETE	170	68.94	65.15	66.40	65.00	2	10.84
762910172	762911172		OBSOLETE	170	68.94	65.15	66.40	65.00	28	10.84
762910178	762911078		NOT TOOLED	178	73.44	69.65	70.90	69.50	-	10.84
762910184	762911184		NOT TOOLED	184	75.69	71.90	73.15	71.75	-	10.84
762910190	762911190		NOT TOOLED	190	77.94	74.15	75.40	74.00	-	10.84
762910196	762911196		NOT TOOLED	196	80.19	76.40	77.65	76.25	-	10.84
762910202	762911202		NOT TOOLED	202	82.44	78.65	79.90	78.50	-	10.84
762910208	762911208		NOT TOOLED	208	84.69	80.90	82.15	80.75	-	10.84
762910214	762911214		NOT TOOLED	214	86.94	83.15	84.40	83.00	-	10.84
762910220	762911220		NOT TOOLED	220	89.19	85.40	86.65	85.25	-	10.84
762910226	762911226		OBSOLETE	226	91.44	87.65	88.90	87.50	-	10.84
762912226	762913226		OBSOLETE	226	91.44	87.65	88.90	87.50	-	10.15
762910232	762911232		NOT TOOLED	232	93.69	89.90	91.15	89.75	-	10.84
762910238	762911238		NOT TOOLED	238	95.94	92.15	93.40	92.00	-	10.84
762910244	762911244		NOT TOOLED	244	98.19	94.40	95.65	94.25	-	10.84
762910250	762911250		OBSOLETE	25	100.44	96.65	97.90	96.50	-	10.84

LOW PROFILE



SECTION Z-Z

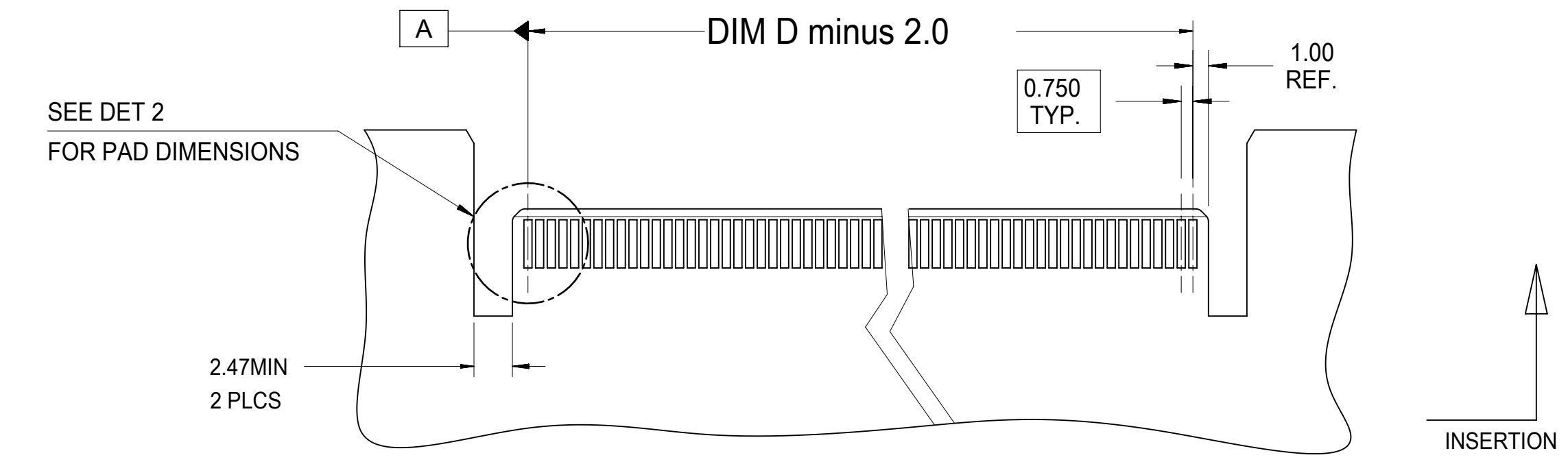
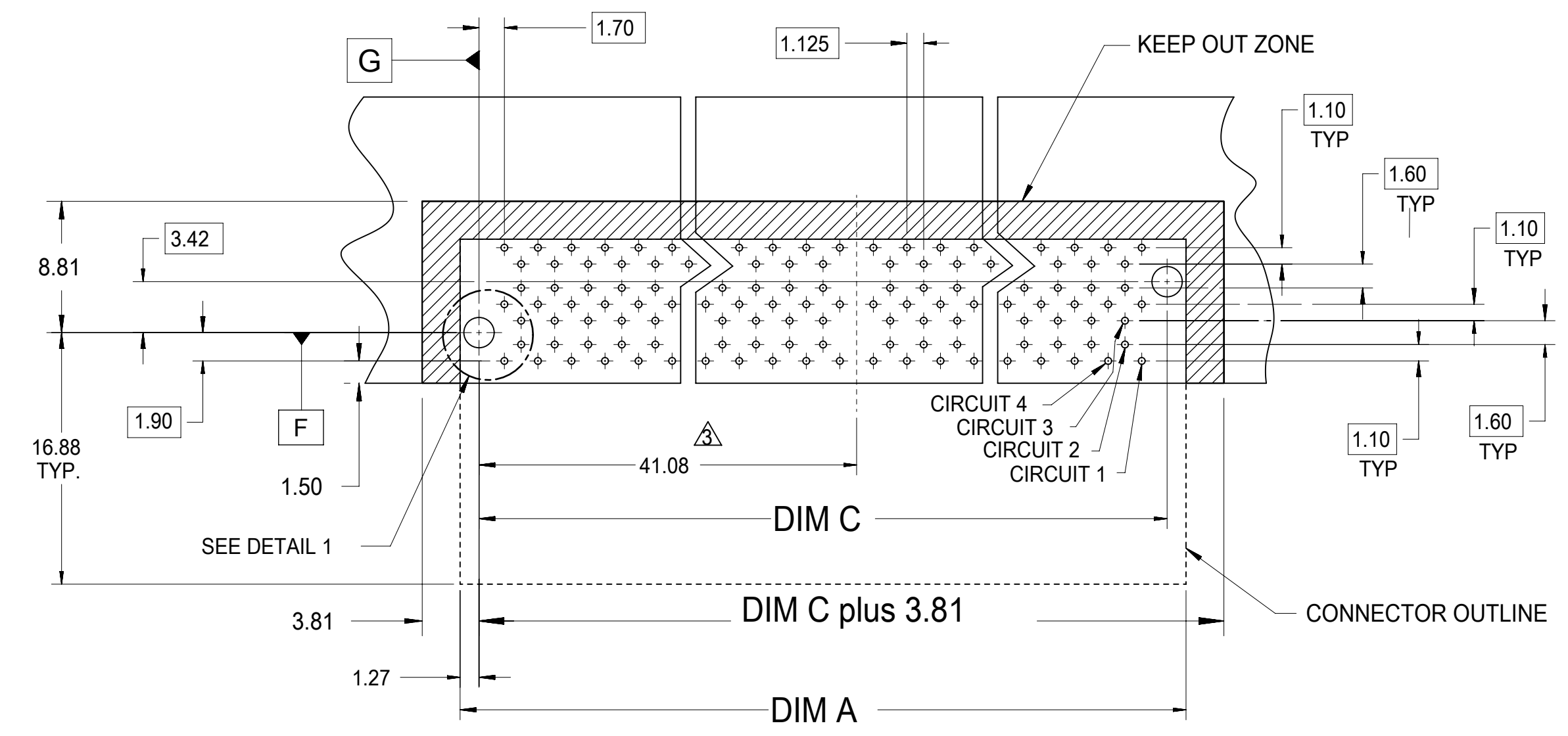
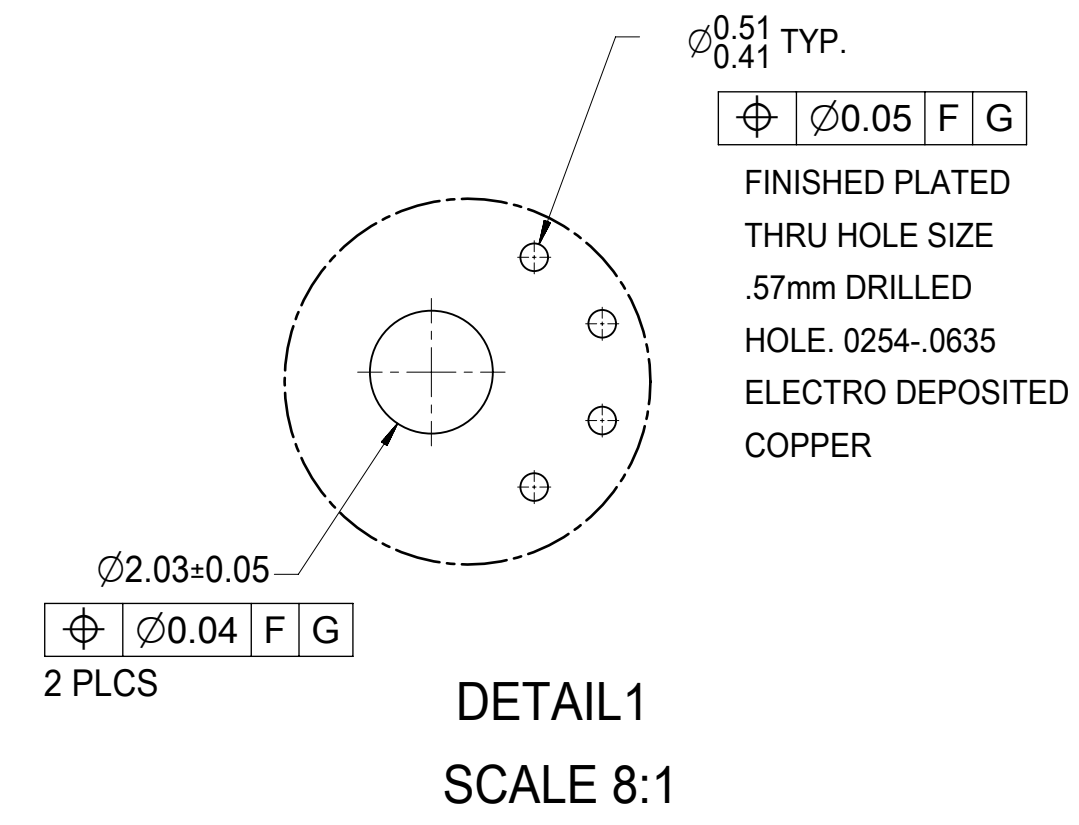
- NOTES:
- MATERIAL -
CONNECTOR HOUSING - GLASS FILLED LCP, 94V-0, BLACK
OVERMOLDING ON TERMINALS: GLASS FILLED LCP, 94V-0, BLACK
TERMINALS: COPPER ALLOY, SPRING TEMPER
 - TERMINAL FINISH:
CONTACT AREA: .75µm HARD GOLD OVER 3.8µm MIN NICKEL.
COMPLIANT AREA: .75-1.50µm TIN OVER .75µm - 1.50µm NICKEL.
 - FOR CIRCUIT SIZES GREATER THAN 170, A CENTER ALIGNMENT KEY WILL BE USED.
 - REFER TO PS-76291-001 PRODUCT SPEC FOR ALL ELECTRICAL, MECHANICAL, AND ENVIRONMENTAL SPECIFICATIONS.
 - REFER TO PK-76291-001 FOR ALL PACKAGING SPECIFICATIONS.
 - REFER TO AS-76291-001 FOR BOARD APPLICATION INFORMATION.
 - MODULE BOARD CONTACT PAD PLATING TO BE .76µm MIN HARD GOLD OVER 2.54µm MIN NICKEL
 - MODULE BOARD CONTACT PAD SURFACE ROUGHNESS NOT TO EXCEED Ra 0.2µm.
 - PART TO BE LASER MARKED WITH PART NUMBER, WHERE XXX IS THE CIRCUIT SIZE OR POWER WAFER OPTION, MANUFACTURING FACILITY, AND DATE CODE IN THE FORMAT OF: DAY OF THE YEAR AND LAST DIGIT OF THE YEAR: DDDY

THIS DRAWING CONTAINS INFORMATION THAT IS PROPRIETARY TO MOLEX ELECTRONIC TECHNOLOGIES, LLC AND SHOULD NOT BE USED WITHOUT WRITTEN PERMISSION											
DIMENSION UNITS: mm		SCALE: NTS		CURRENT REV DESC: OBSOLETE PART NUMBERS							
GENERAL TOLERANCES (UNLESS SPECIFIED)				<p>EC NO: 654656 DRWN: SUGEEB 2021/01/28 CHK'D: GGA 2021/02/17 APPR: GGA 2021/02/17</p> <p>INITIAL REVISION: DRWN: HAVERY 2008/07/14 APPR: MBANAKIS 2008/07/22</p>							
ANGULAR TOL ± 0.5°											
4 PLACES ±											
3 PLACES ±											
2 PLACES ± 0.13											
1 PLACE ± 0.25				DOCUMENT NUMBER: SD-76291-001		DOC TYPE: PSD		DOC PART: 001		REVISION: T1	
0 PLACES ±				DRAFT WHERE APPLICABLE MUST REMAIN WITHIN DIMENSIONS		DRAWING: D-SIZE		SERIES: 76291		SHEET NUMBER: 1 OF 3	
DOCUMENT STATUS: P1		RELEASE DATE: 2021/02/17 14:06:48		MATERIAL NUMBER: SEE TABLE		CUSTOMER: GENERAL MARKET					

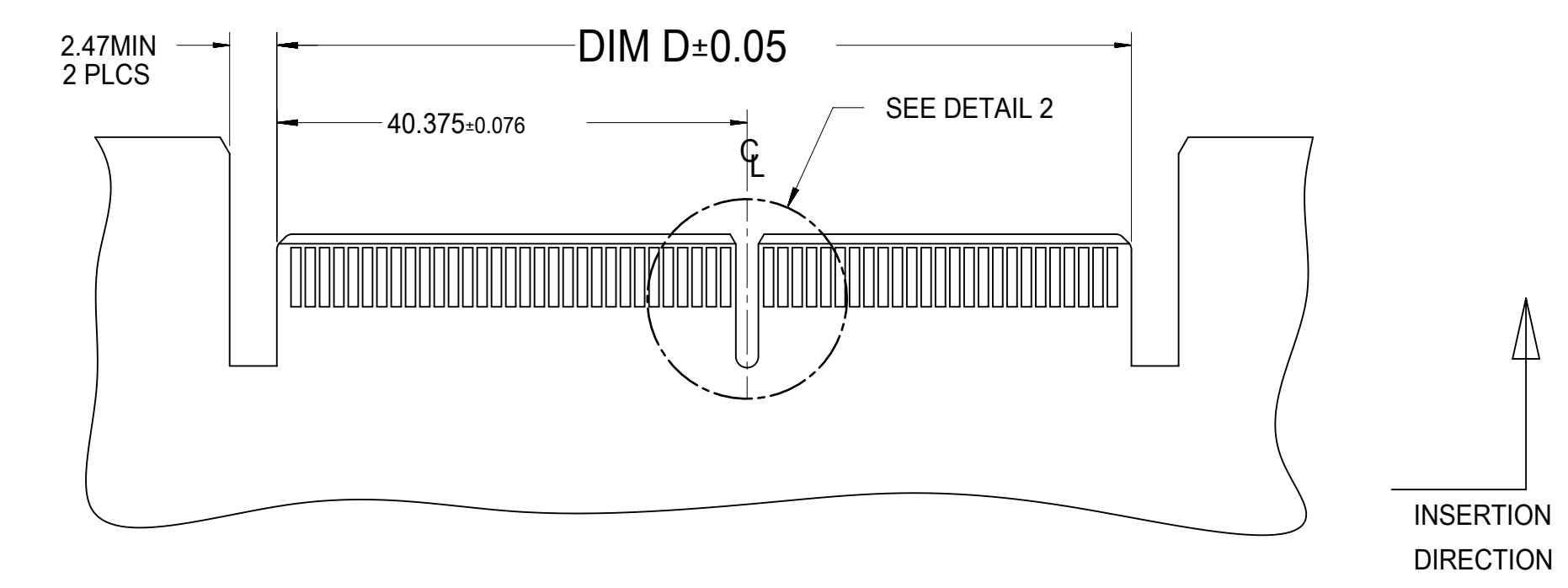
molex

.75 COPLANAR CONNECTOR
GENERAL SALES DRAWING

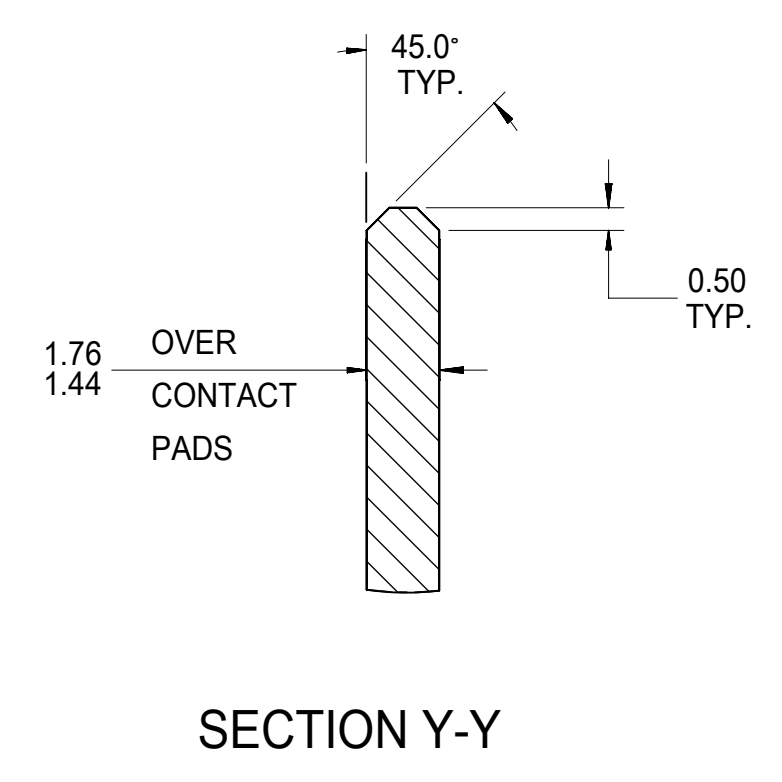
PRODUCT CUSTOMER DRAWING



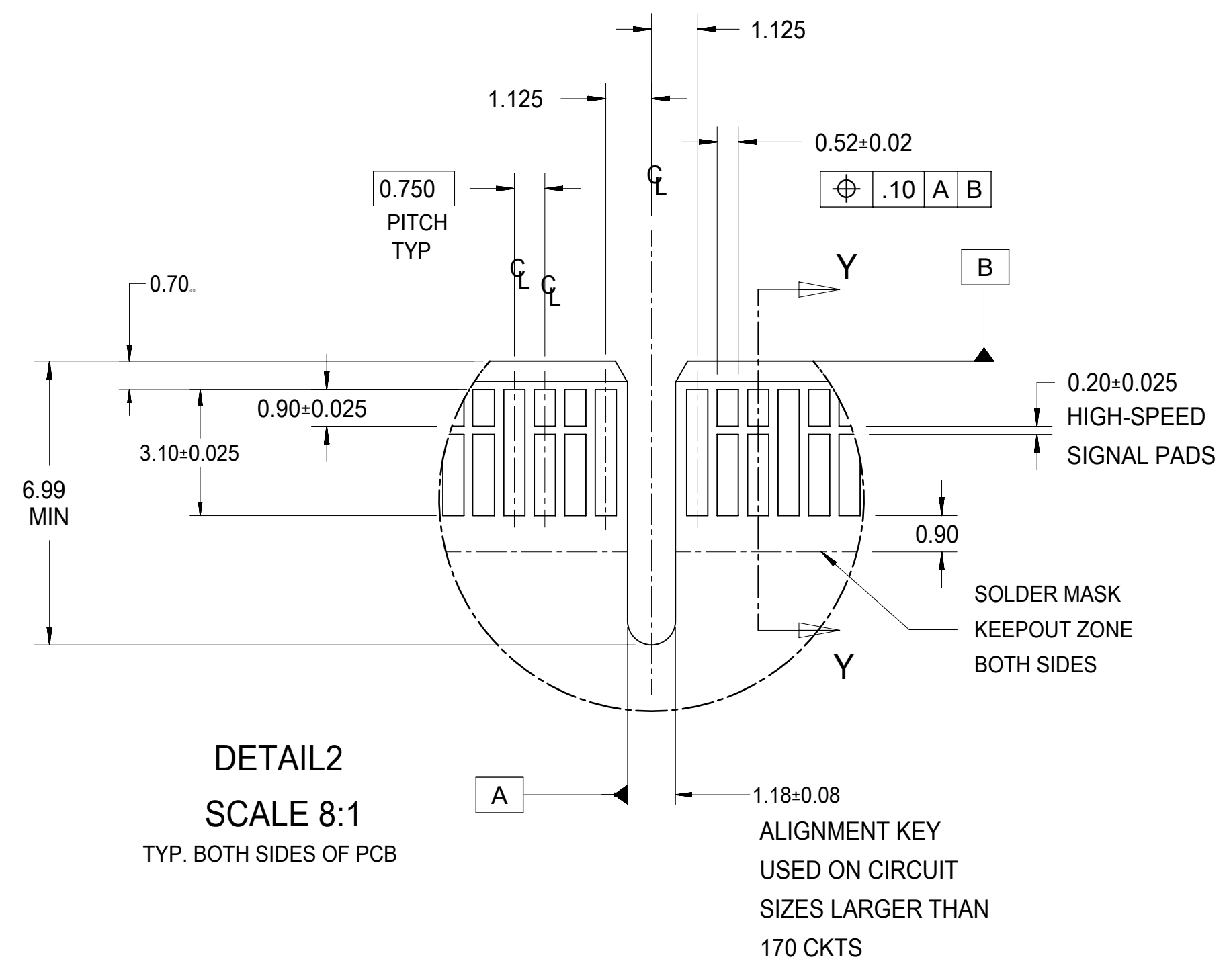
MODULE CARD WITHOUT ALIGNMENT KEY
 TOP SIDE
 FOR CIRCUIT SIZES UP TO 170 CKTS



MODULE CARD WITH ALIGNMENT KEY
 TOP SIDE
 FOR CIRCUIT SIZES LARGER THAN 170 CKTS



SECTION Y-Y



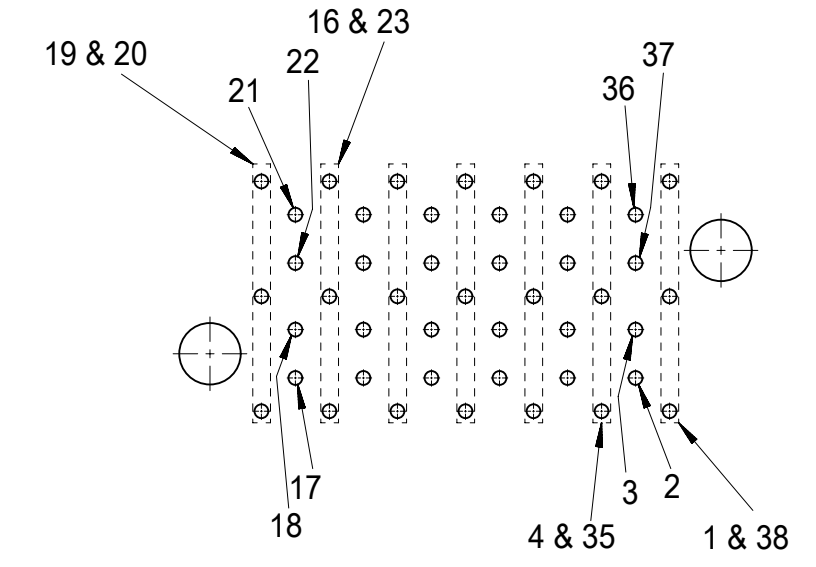
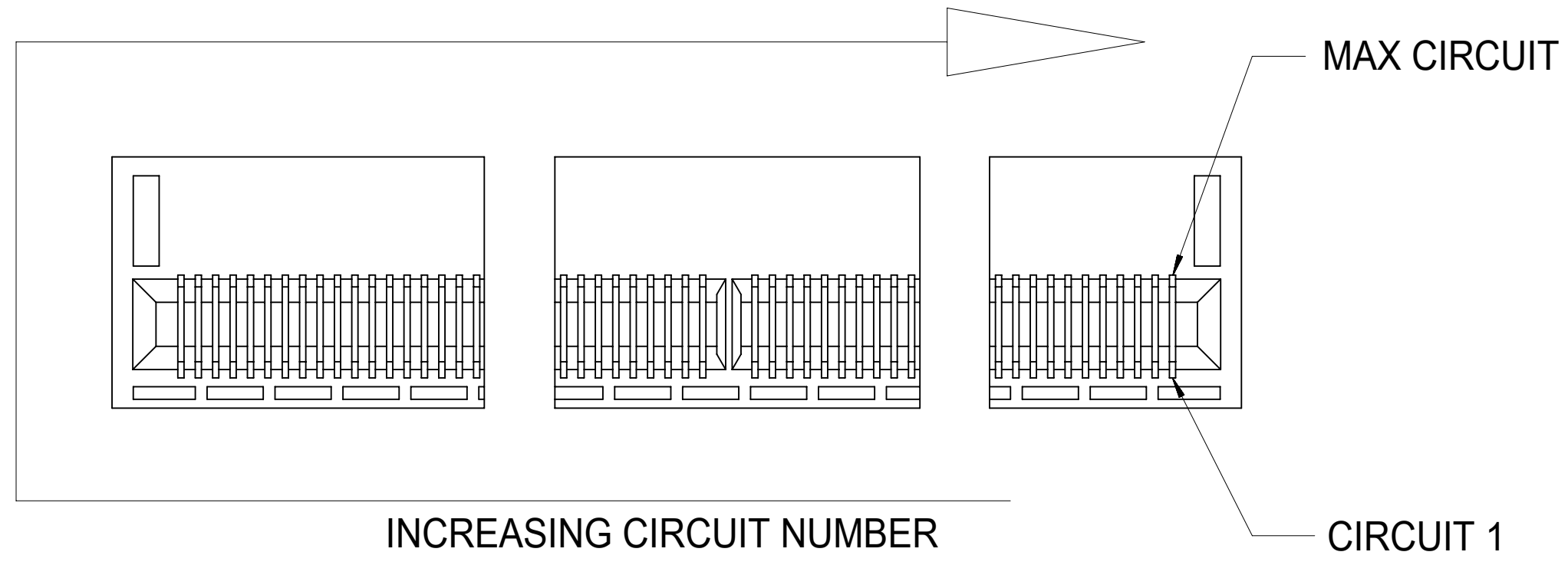
DETAIL2
 SCALE 8:1
 TYP. BOTH SIDES OF PCB

THIS DRAWING CONTAINS INFORMATION THAT IS PROPRIETARY TO MOLEX ELECTRONIC TECHNOLOGIES, LLC AND SHOULD NOT BE USED WITHOUT WRITTEN PERMISSION

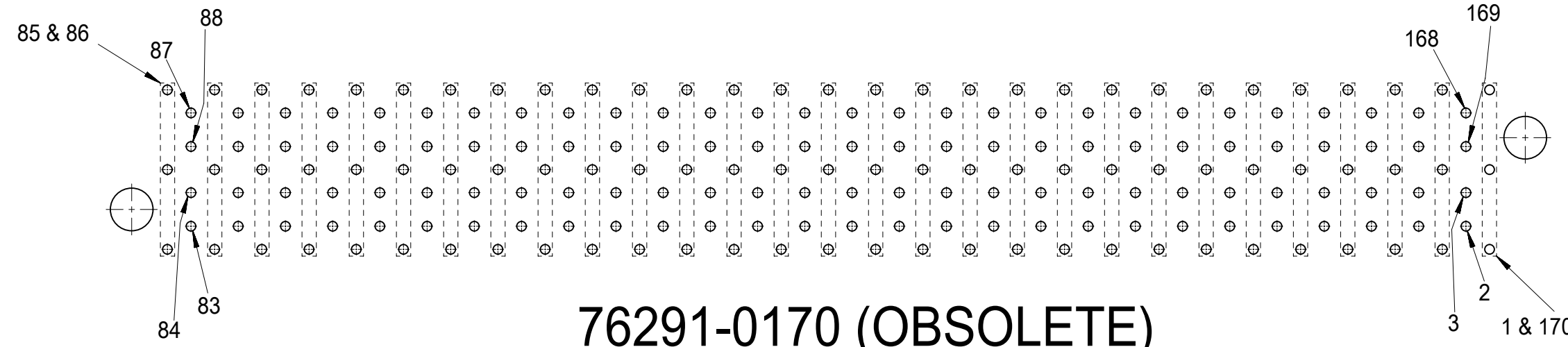
DIMENSION UNITS	SCALE	CURRENT REV DESC: OBSOLETE PART NUMBERS		molex			
mm	NTS						
GENERAL TOLERANCES (UNLESS SPECIFIED)				.75 COPLANAR CONNECTOR GENERAL SALES DRAWING			
ANGULAR TOL	± 0.5°	EC NO: 654656		PRODUCT CUSTOMER DRAWING			
4 PLACES	±	DRWN: SUGEEB		2021/01/28			
3 PLACES	±	CHK'D: GGA		2021/02/17			
2 PLACES	± 0.13	APPR: GGA		2021/02/17			
1 PLACE	± 0.25	INITIAL REVISION:					
0 PLACES	±	DRWN: HAVERY		2008/07/14			
		APPR: MBANAKIS		2008/07/22			
DRAFT WHERE APPLICABLE MUST REMAIN WITHIN DIMENSIONS		THIRD ANGLE PROJECTION	DRAWING	SERIES	MATERIAL NUMBER	CUSTOMER	SHEET NUMBER
			D-SIZE	76291	SEE TABLE	GENERAL MARKET	2 OF 3

PCB PIN-OUT ASSIGNMENTS

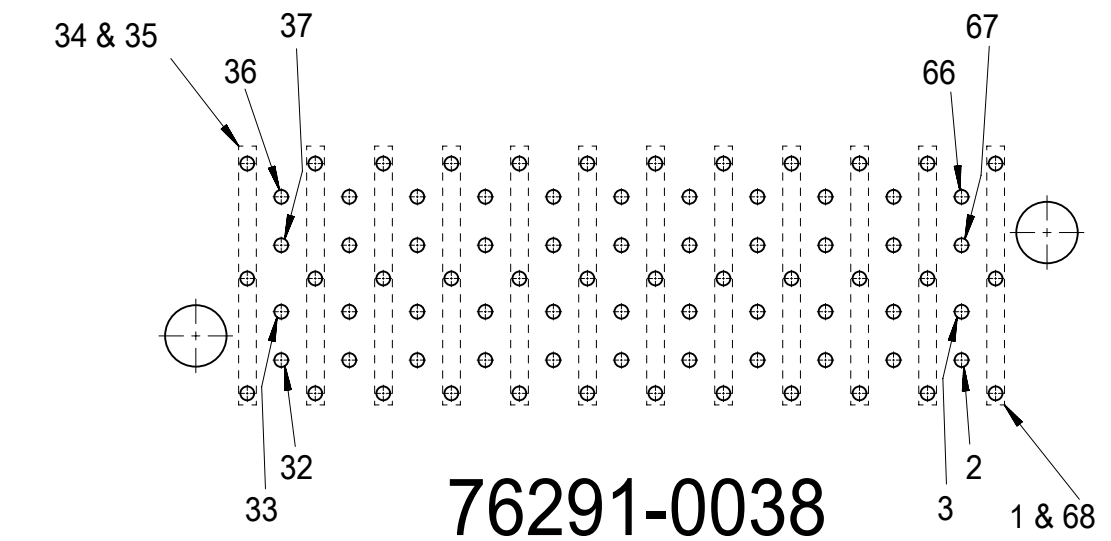
(TOP SIDE OF BOARD SHOWN)



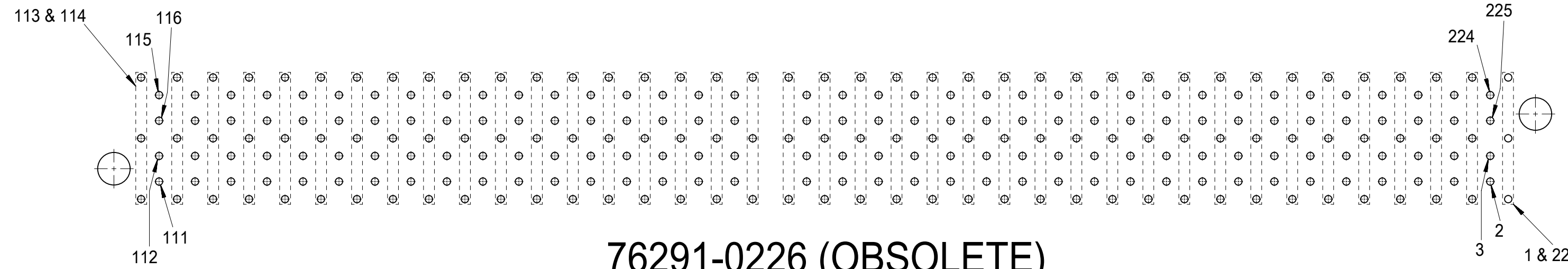
76291-0038



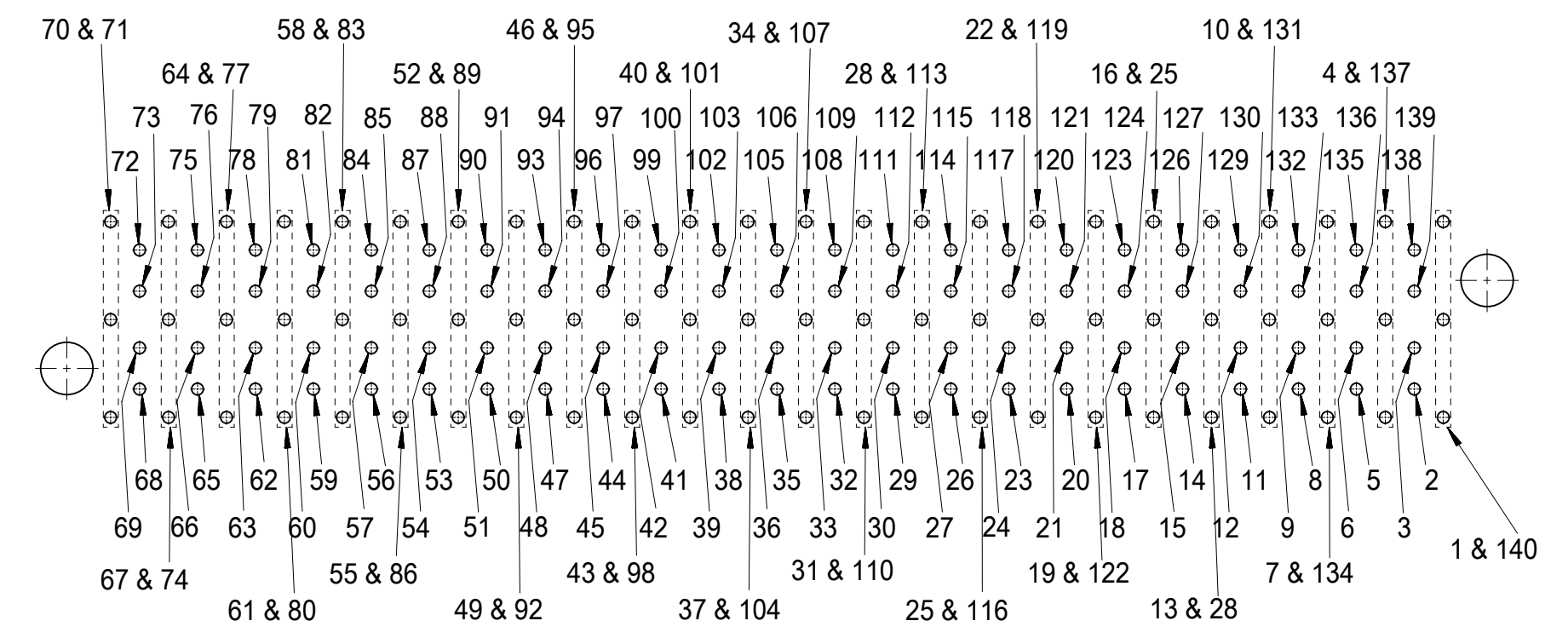
76291-0170 (OBSOLETE)



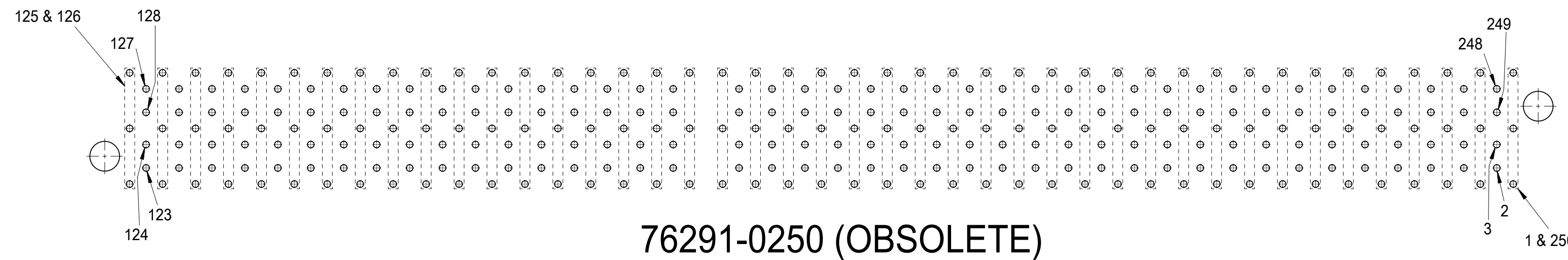
76291-0038



76291-0226 (OBSOLETE)



76291-0140 (OBSOLETE)



76291-0250 (OBSOLETE)

FRONT EDGE OF PCB

NOTES ON CIRCUIT DESIGNATIONS:

1. CIRCUIT 1 STARTS AT LOWER RIGHT HAND CORNER AND INCREASES TO THE LEFT ACROSS THE BOTTOM AND INCREASES TO THE RIGHT ACROSS THE TOP.
2. THERE IS NOT A 1:1 CORRESPONDENCE BETWEEN THE CIRCUIT NUMBER AND THE TAIL HOLE LOCATIONS. EACH GROUND HAS TWO CONTACTS AND THREE TAILS. THE BOXES AROUND THE THREE VERTICAL HOLES INDICATE THE UPPER AND LOWER GROUND CONTACTS SHARE THE THREE TAIL HOLE LOCATIONS.

THIS DRAWING CONTAINS INFORMATION THAT IS PROPRIETARY TO MOLEX ELECTRONIC TECHNOLOGIES, LLC AND SHOULD NOT BE USED WITHOUT WRITTEN PERMISSION										
DIMENSION UNITS		SCALE		CURRENT REV DESC: OBSOLETE PART NUMBERS						
mm		NTS								
GENERAL TOLERANCES (UNLESS SPECIFIED)										
ANGULAR TOL ± 0.5°				EC NO: 654656						
4 PLACES ±				DRWN: SUGEEB		2021/01/28				
3 PLACES ±				CHK'D: GGA		2021/02/17				
2 PLACES ± 0.13				APPR: GGA		2021/02/17				
1 PLACE ± 0.25				INITIAL REVISION:						
0 PLACES ±				DRWN: HAVERY		2008/07/14				
				APPR: MBANAKIS		2008/07/22				
DRAFT WHERE APPLICABLE MUST REMAIN WITHIN DIMENSIONS			THIRD ANGLE PROJECTION		DRAWING		SERIES		MATERIAL NUMBER	
			D-SIZE		76291		SEE TABLE		CUSTOMER	
					GENERAL MARKET				SHEET NUMBER	
									3 OF 3	

molex

.75 COPLANAR CONNECTOR
GENERAL SALES DRAWING

PRODUCT CUSTOMER DRAWING

DOCUMENT NUMBER DOC TYPE DOC PART REVISION

SD-76291-001 PSD 001 T1

MATERIAL NUMBER CUSTOMER SHEET NUMBER

SEE TABLE GENERAL MARKET 3 OF 3